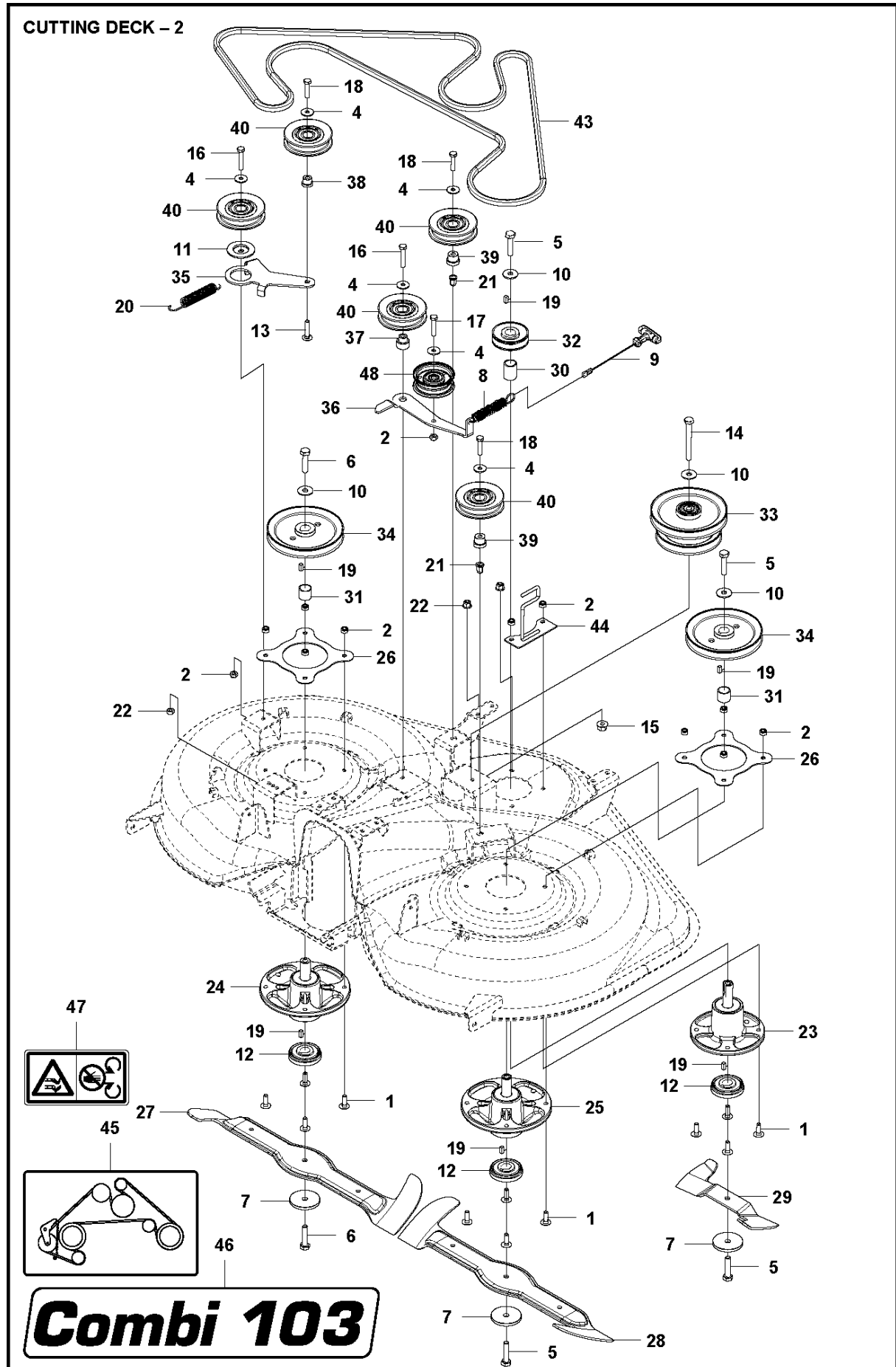




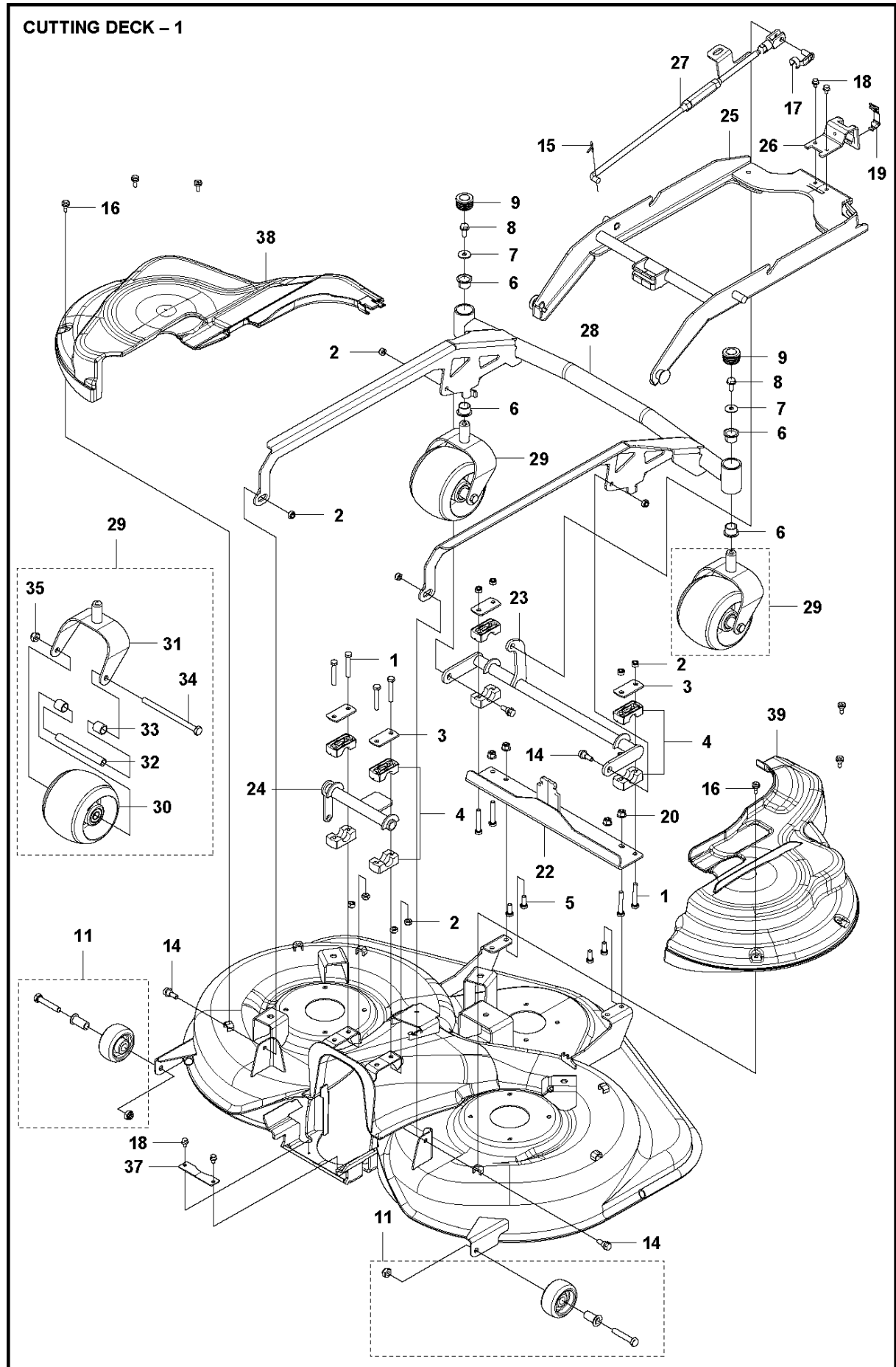
# SPARE PARTS LIST

RIDERS

RC 318T, 967628701



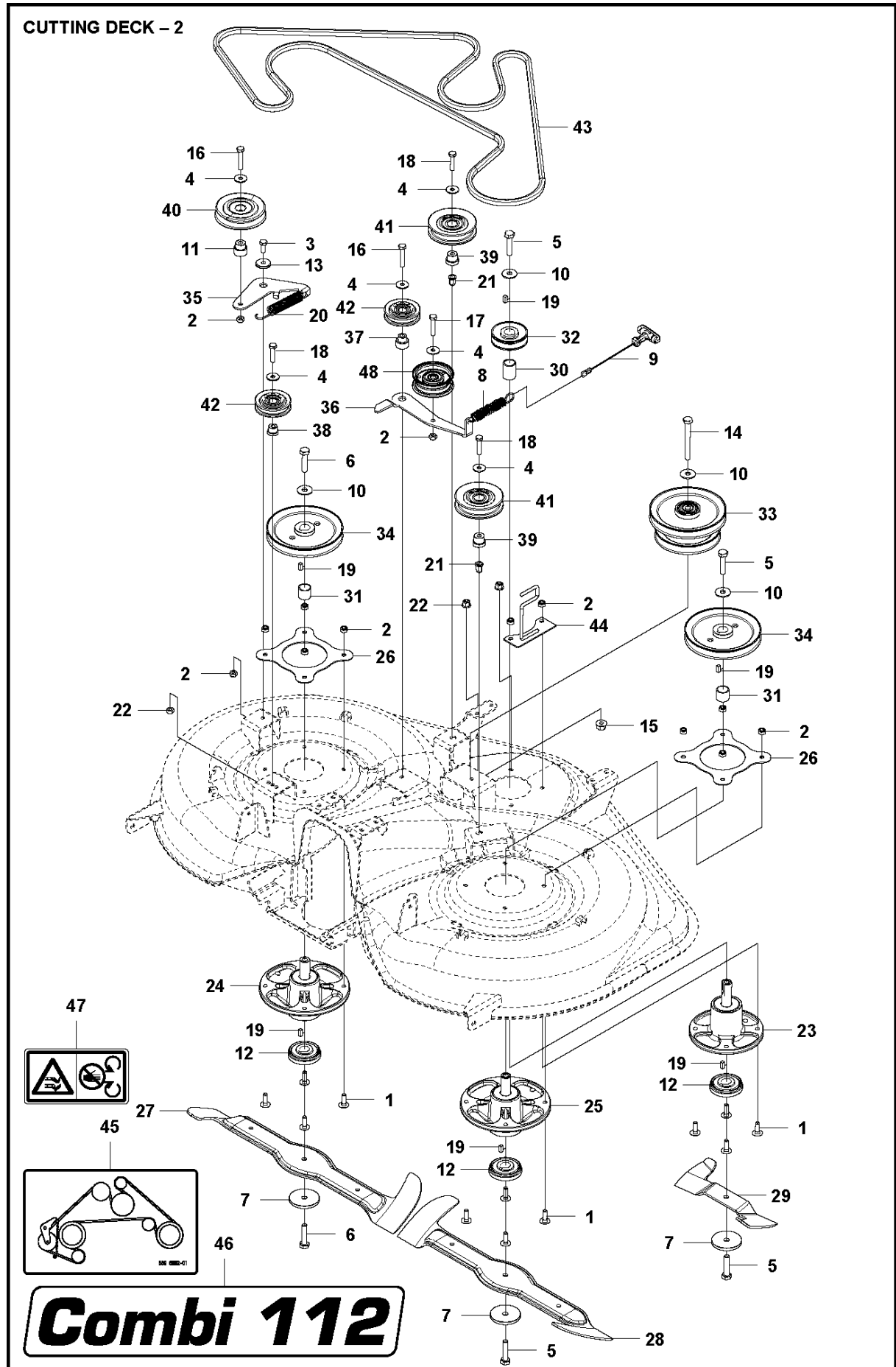
Ref	Part No	Description	Remark	QTY KIT
1	535 42 38-01	SCREW RSQM		12
2	732 21 18-01	LOCK NUT		12
4	734 11 64-41	WASHER		6
5	588 79 32-01	SCREW		4
6	544 11 41-01	SCREW EHHM		2
7	588 14 56-01	PLATE		3
8	504 62 24-01	SPRING		1
9	504 62 21-03	HANDLE ASSY		1
10	734 11 74-41	WASHER		4
11	590 97 20-01	SLEEVE		1
12	535 50 42-02	ADAPTER		3
13	727 64 59-51	SCREW		1
14	725 25 13-51	SCREW EHHM		1
15	576 64 57-05	NUT FLANGE		1
16	725 24 60-51	SCREW EHHM		2
17	725 24 59-51	SCREW EHHM		1
18	725 24 57-51	SCREW		3
19	506 53 35-01	PARALLEL KEY		6
20	506 53 31-01	SPRING		1
21	506 91 62-01	BLIND RIVET NUT		2
22	576 64 57-04	NUT FLANGE		3
23	582 13 83-01	BLADE HOUSING ASSY		1
24	582 02 00-01	BLADE HOUSING ASSY		1
25	582 02 00-02	BLADE HOUSING ASSY		1
26	589 35 46-01	WASHER		2
27	590 74 94-10	BLADE		1
28	590 74 94-20	BLADE		1
29	588 82 44-10	BLADE		1
30	588 81 87-02	SPACING SLEEVE		1
31	588 81 87-01	SPACING SLEEVE		2
32	588 81 88-01	PULLEY		1
33	582 00 96-01	PULLEY ASSY		1
34	588 81 92-02	PULLEY ASSY		2
35	590 81 56-01	BELT TENSIONER		1
36	590 03 74-01	BELT TENSIONER		1
37	588 82 00-01	HUB		1
38	588 82 01-01	BUSHING		1
39	588 82 02-01	BUSHING		2
40	589 61 97-01	PULLEY ASSY		5
43	589 97 42-01	BELT		1
44	582 64 59-01	BELT GUIDE		1
45	591 13 92-01	DECAL		1
46	544 23 81-16	LABEL		1
47	574 51 00-01	DECAL		1
48	539 91 90-78	PULLEY		1



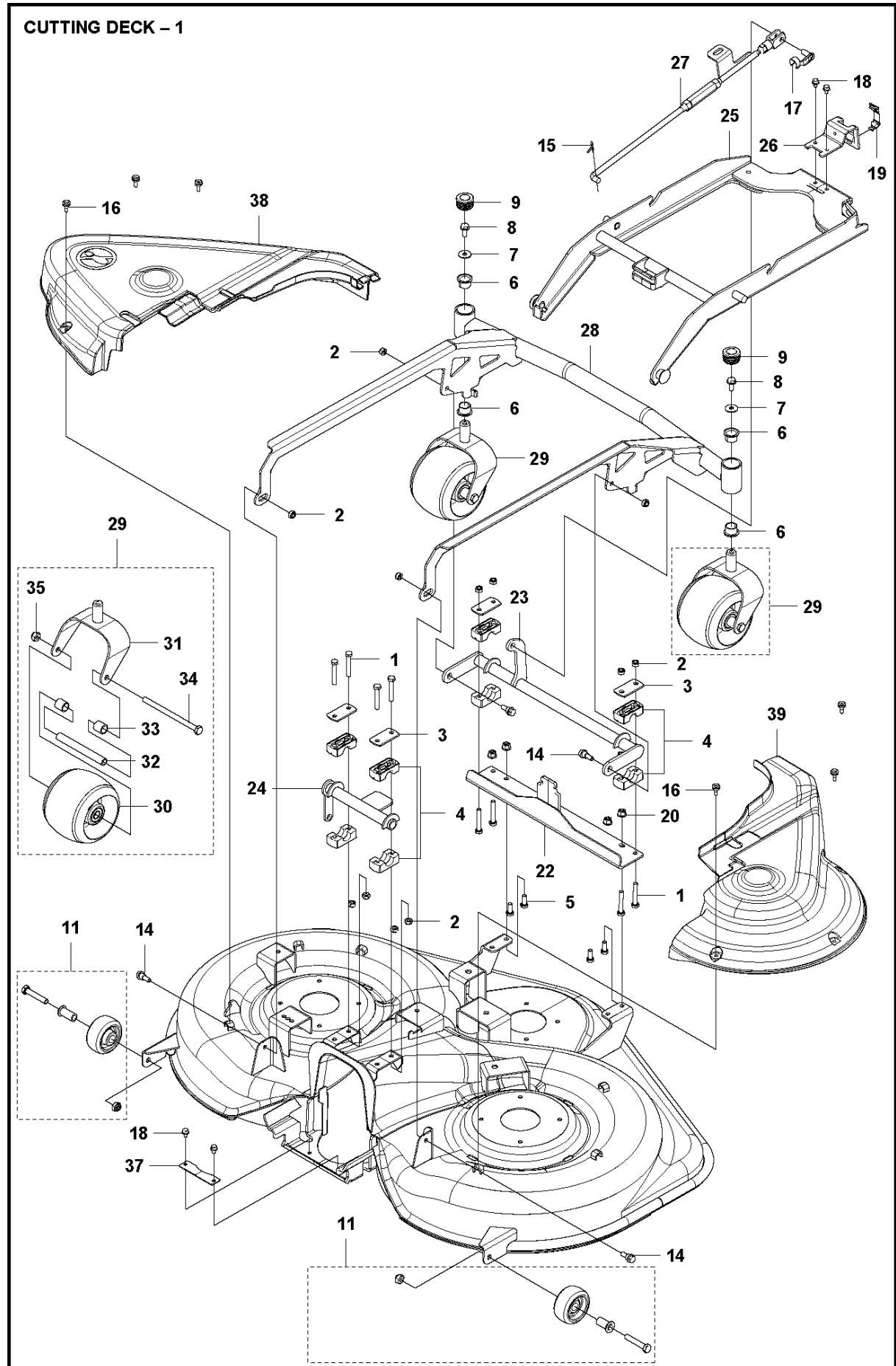
## 41"/103CM CUTTING DECK

RC 318T, 967628701

Ref	Part No	Description	Remark	QTY	KIT
1	725 24 61-51	SCREW EHHM		8	
2	732 21 18-01	LOCK NUT		12	
3	506 81 38-01	REINFORCING PLATE		4	
4	506 86 96-01	BEARING		8	
5	725 24 51-71	SCREW EHHM		4	
6	574 56 19-01	BEARING		4	
7	734 11 64-41	WASHER		2	
8	506 57 01-04	SCREW EHHFM		2	
9	574 03 48-01	PLUG		2	
11	591 05 26-01	WHEEL		2	
14	506 59 74-01	SCREW EHHFM		4	
15	721 61 83-01	SPLIT PIN		1	
16	544 40 05-01	SCREW		6	
17	506 83 98-03	BOLT		1	
18	725 23 64-61	SCREW EHHFT		4	
19	588 46 28-03	SNAP LOCKING		1	
20	576 64 57-04	NUT FLANGE		4	
22	588 79 40-01	BRACKET		1	
23	588 79 46-01	CROSSBAR		1	
24	588 74 92-01	CROSSBAR		1	
25	588 74 98-01	DECK ATTACHMENT		1	
26	523 11 46-01	LOCK		1	
27	582 21 80-01	PARALLEL ROD ASSY		1	
28	588 79 36-01	DECK FRAME		1	
29	574 21 01-01	PIVOT WHEEL ASSY		2	
30	506 96 30-01	WHEEL ASSY		2	29
31	573 93 99-01	PIVOT WHEEL ASSY		2	29
32	506 81 08-02	TUBE		2	29
33	506 87 41-02	SPACER		4	29
34	725 25 19-51	SCREW EHHM		2	29
35	732 21 20-51	NUT		2	29
37	588 82 03-01	SHEET		1	
38	590 70 78-01	BELT COVER		1	
39	590 70 76-01	BELT COVER		1	

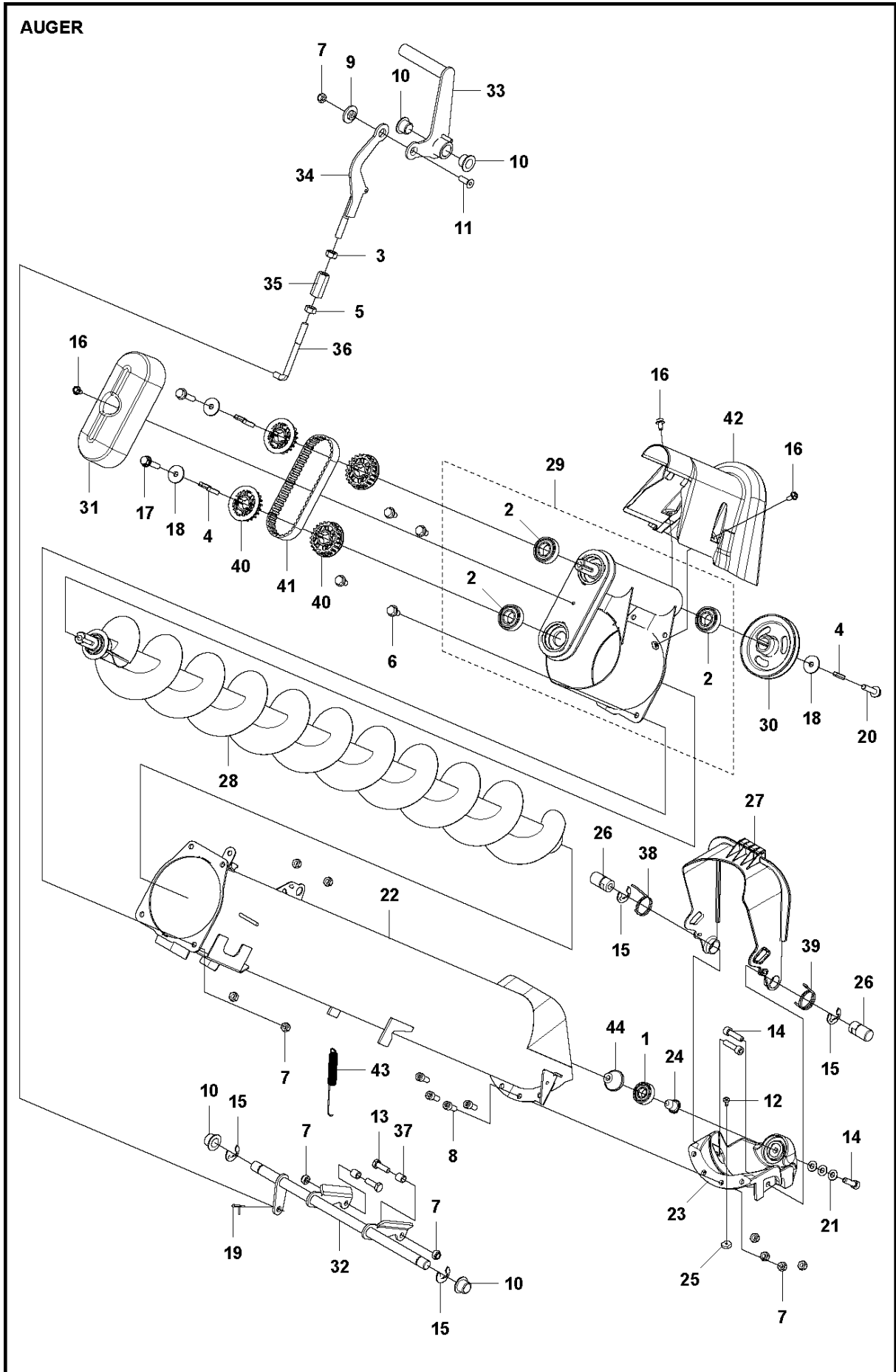


Ref	Part No	Description	Remark	QTY KIT
1	535 42 38-01	SCREW RSQM		12
2	732 21 18-01	LOCK NUT		13
3	725 24 51-71	SCREW EHHM		1
4	734 11 64-41	WASHER		6
5	588 79 32-01	SCREW		4
6	544 11 41-01	SCREW EHHM		2
7	588 14 56-01	PLATE		3
8	504 62 24-01	SPRING		1
9	504 62 21-03	HANDLE ASSY		1
10	734 11 74-41	WASHER		4
11	535 48 48-01	BUSHING		1
12	535 50 42-02	ADAPTER		3
13	574 87 41-01	WASHER		1
14	725 25 09-71	SCREW EHHM		1
15	576 64 57-05	NUT FLANGE		1
16	725 24 60-51	SCREW EHHM		2
17	725 24 59-51	SCREW EHHM		1
18	725 24 57-51	SCREW		3
19	506 53 35-01	PARALLEL KEY		6
20	506 53 31-01	SPRING		1
21	506 91 62-01	BLIND RIVET NUT		2
22	576 64 57-04	NUT FLANGE		3
23	582 13 83-01	BLADE HOUSING ASSY		1
24	582 02 00-01	BLADE HOUSING ASSY		1
25	582 02 00-02	BLADE HOUSING ASSY		1
26	589 35 46-01	WASHER		2
27	588 82 43-10	BLADE		1
28	588 82 43-20	BLADE		1
29	588 82 44-10	BLADE		1
30	588 81 87-02	SPACING SLEEVE		1
31	588 81 87-01	SPACING SLEEVE		2
32	588 81 88-01	PULLEY		1
33	582 00 96-01	PULLEY ASSY		1
34	588 81 92-01	PULLEY ASSY		2
35	588 81 97-01	BELT TENSIONER		1
36	588 81 98-01	BELT TENSIONER		1
37	588 82 00-01	HUB		1
38	588 82 01-01	BUSHING		1
39	588 82 02-01	BUSHING		2
40	506 97 48-01	PULLEY		1
41	590 04 32-01	PULLEY		2
42	589 31 22-01	PULLEY ASSY		2
43	589 97 42-01	BELT		1
44	582 64 59-01	BELT GUIDE		1
45	589 68 62-01	DECAL		1
46	544 23 81-15	LABEL		1
47	574 51 00-01	DECAL		1
48	539 91 90-78	PULLEY		1





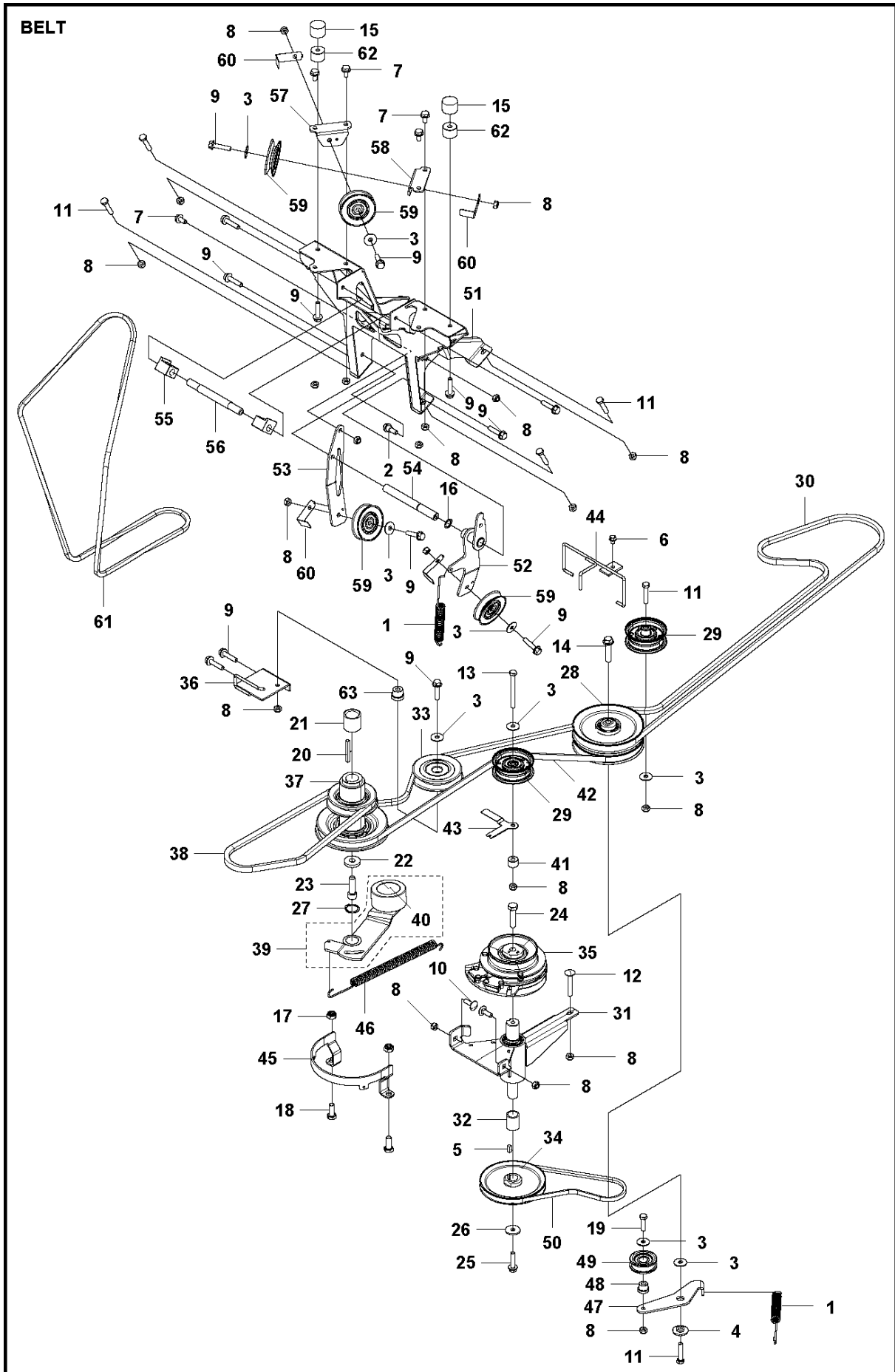
Ref	Part No	Description	Remark	QTY	KIT
1	725 24 61-51	SCREW EHHM		8	
2	732 21 18-01	LOCK NUT		12	
3	506 81 38-01	REINFORCING PLATE		4	
4	506 86 96-01	BEARING		8	
5	725 24 51-71	SCREW EHHM		4	
6	574 56 19-01	BEARING		4	
7	734 11 64-41	WASHER		2	
8	506 57 01-04	SCREW EHHFM		2	
9	574 03 48-01	PLUG		2	
11	591 05 26-01	WHEEL		2	
14	506 59 74-01	SCREW EHHFM		4	
15	721 61 83-01	SPLIT PIN		1	
16	544 40 05-01	SCREW		6	
17	506 83 98-03	BOLT		1	
18	725 23 64-61	SCREW EHHFT		4	
19	503 89 47-03	SNAP		1	
20	576 64 57-04	NUT FLANGE		4	
22	588 79 40-01	BRACKET		1	
23	588 79 46-01	CROSSBAR		1	
24	588 74 92-01	CROSSBAR		1	
25	588 74 98-01	DECK ATTACHMENT		1	
26	523 11 46-01	LOCK		1	
27	582 21 80-01	PARALLEL ROD ASSY		1	
28	588 79 36-01	DECK FRAME		1	
29	574 21 01-01	PIVOT WHEEL ASSY		2	
30	506 96 30-01	WHEEL ASSY		2	29
31	573 93 99-01	PIVOT WHEEL ASSY		2	29
32	506 81 08-02	TUBE		2	29
33	506 87 41-02	SPACER		4	29
34	725 25 19-51	SCREW EHHM		2	29
35	732 21 20-51	NUT		2	29
37	588 82 03-01	SHEET		1	
38	589 22 41-01	BELT COVER		1	
39	589 22 42-01	BELT COVER		1	



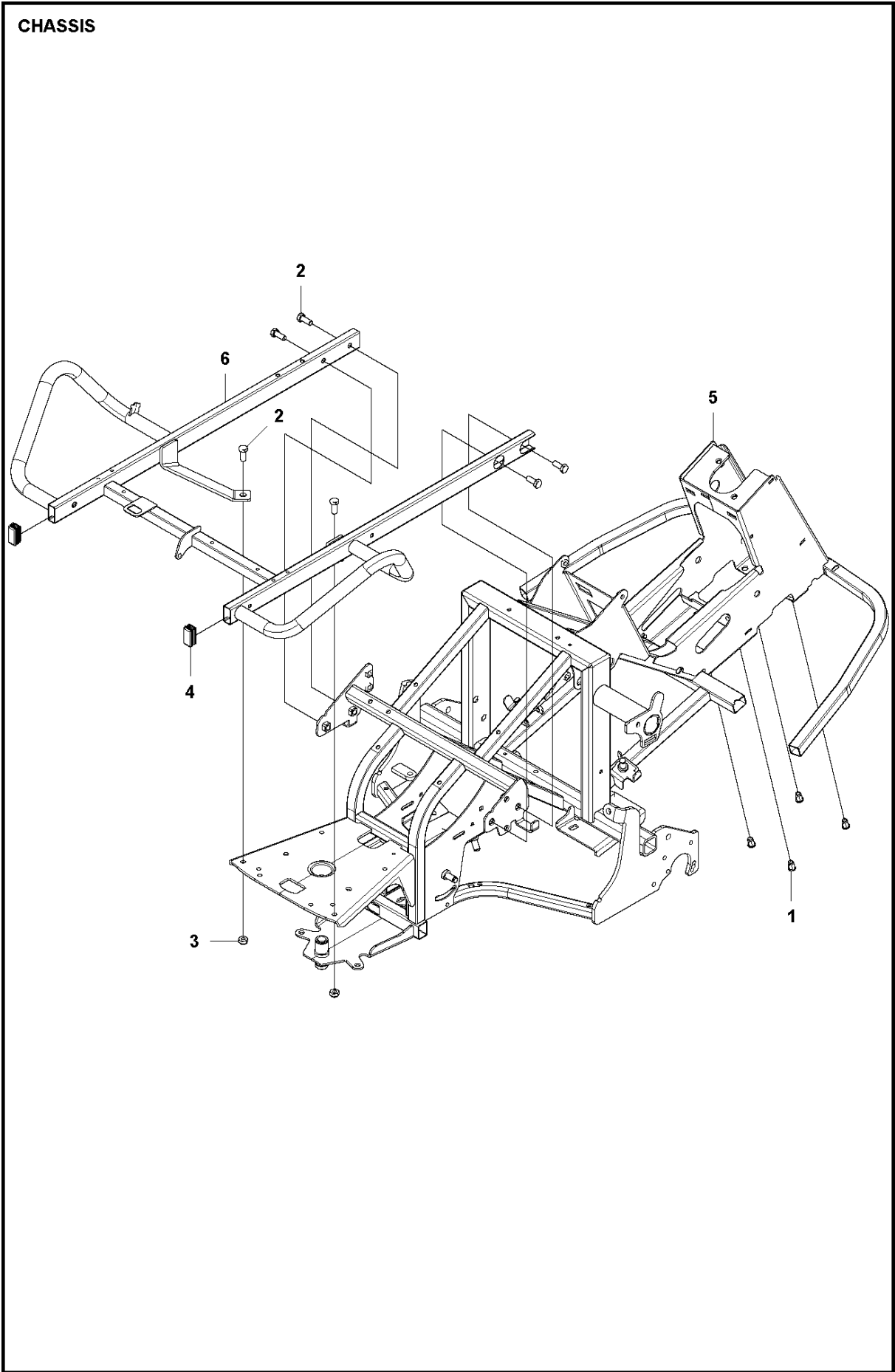
## AUGER

RC 318T, 967628701

Ref	Part No	Description	Remark	QTY KIT
1	738 22 02-19	BALL BEARING		1
2	582 50 81-01	BALL BEARING		3
3	506 89 76-01	NUT		1
4	506 53 35-03	PARALLEL KEY		5
5	731 23 20-51	HEXAGON NUT		1
6	506 57 01-03	SCREW EHHFM		4
7	732 21 18-01	LOCK NUT		11
8	725 54 51-01	SCREW IHSCM		4
9	574 87 41-01	WASHER		1
10	584 87 13-02	BEARING		4
11	725 64 53-01	SCREW IHCSFM		1
12	502 43 52-01	SCREW ITXPANTT		1
13	725 24 53-51	SCREW EHHM		2
14	725 54 55-01	SCREW IHSCM		3
15	735 31 22-20	E-CLIP		4
16	535 47 52-12	SCREW EHHFM		3
17	582 50 85-01	SCREW		1
18	544 22 16-01	WASHER		3
19	721 61 83-01	SPLIT PIN		1
20	506 57 01-06	SCREW EHHFM		1
21	734 11 64-01	WASHER		3
22	588 97 23-01	TUBE		1
23	588 68 74-01	SUPPORT		1
24	588 97 31-01	SLEEVE		1
25	588 97 33-01	SLEEVE		1
26	588 97 32-01	SLEEVE		2
27	589 25 83-01	CAP		1
28	590 02 99-01	AUGER		1
29	590 03 85-01	AUGER		1
30	588 83 14-01	PULLEY ASSY		1
31	589 25 84-01	LID		1
32	589 19 67-01	SHAFT ASSY		1
33	589 19 64-01	LEVER ASSY		1
34	589 19 59-01	LINK ASSY		1
35	544 45 15-01	ADJUSTMENT ROD		1
36	589 19 71-01	ROD		1
37	589 28 35-01	TUBE		2
38	501 08 21-01	SPRING		1
39	501 08 21-02	SPRING		1
40	501 09 09-01	PULLEY		4
41	589 97 37-01	BELT		1
42	501 09 91-01	COVER		1
43	582 00 00-01	SPRING		1
44	589 03 23-01	SLEEVE		1



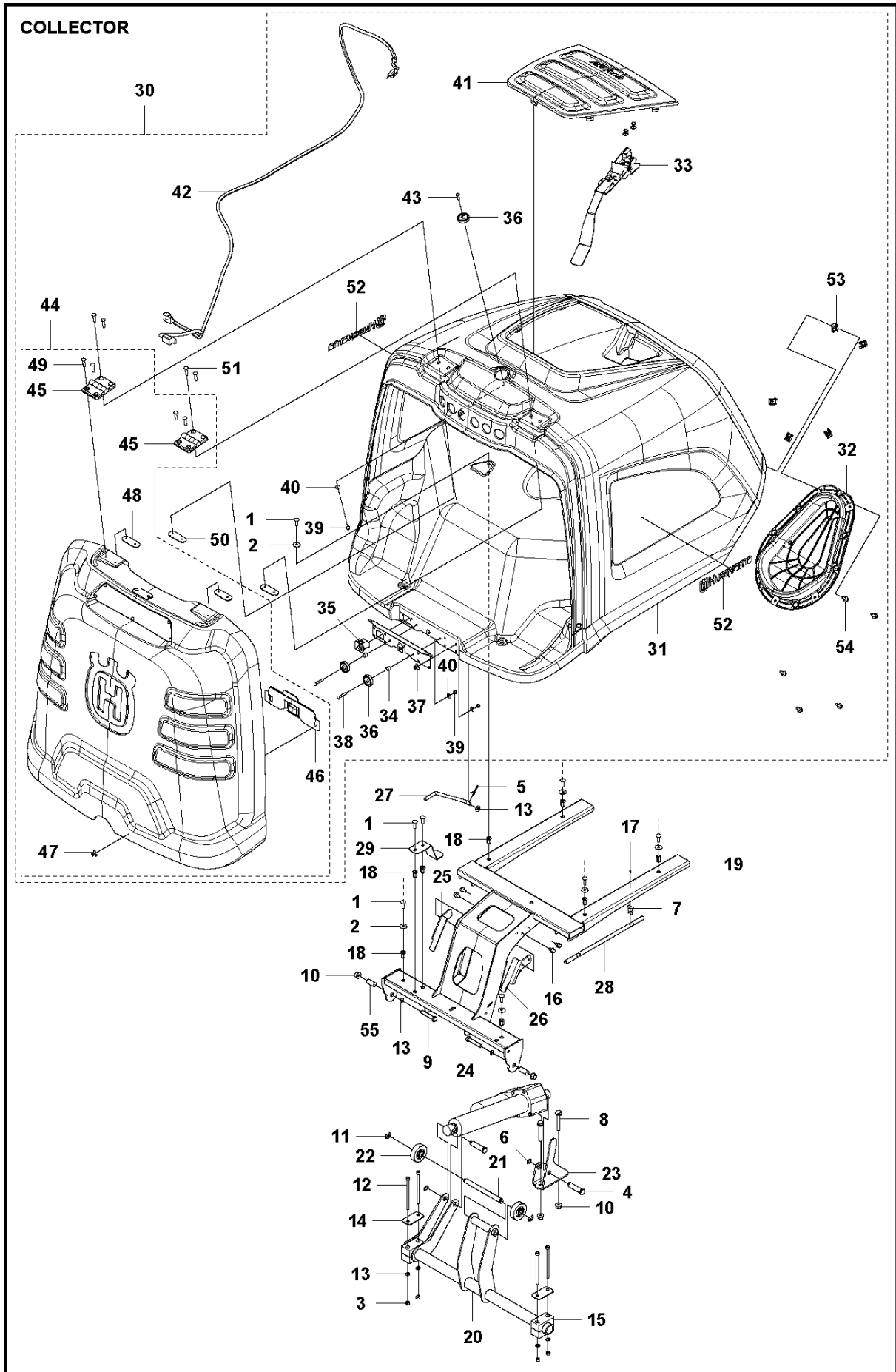
Ref	Part No	Description	Remark	QTY	KIT
1	582 38 14-01	SPRING		2	
2	506 59 74-01	SCREW EHHFM		1	
3	734 11 64-41	WASHER		9	
4	574 87 41-01	WASHER		1	
5	506 53 35-01	PARALLEL KEY		1	
6	725 23 64-61	SCREW EHHFT		1	
7	506 57 01-03	SCREW EHHFM		5	
8	732 21 18-01	LOCK NUT		21	
9	506 57 01-06	SCREW EHHFM		13	
10	535 42 38-01	SCREW RSQM		2	
11	725 24 59-51	SCREW EHHM		6	
12	535 42 38-02	SCREW RSQM		1	
13	725 24 67-51	SCREW EHHM		1	
14	506 67 54-03	SCREW EHHFM		1	
15	544 25 21-02	ANTIVIBRATION ELEMENT		2	
16	735 31 17-00	CIRCLIP		1	
17	732 21 20-51	NUT		2	
18	725 24 93-71	SCREW EHHM		2	
19	725 24 55-71	SCREW EHHM		1	
20	506 55 59-01	WEDGE		1	
21	506 50 92-01	SPACING SLEEVE		1	
22	506 59 75-01	WASHER		1	
23	506 55 60-02	SCREW UNC		1	
24	588 79 32-01	SCREW		1	
25	582 50 85-01	SCREW		1	
26	544 22 16-01	WASHER		1	
27	735 31 26-00	CIRCLIP		1	
28	582 17 65-01	PULLEY ASSY		1	
29	539 91 90-78	PULLEY		2	
30	589 97 38-01	BELT		1	
31	590 04 00-01	BRACKET		1	
32	589 02 63-01	SPACING SLEEVE		1	
33	506 97 48-01	PULLEY		1	
34	588 83 09-01	PULLEY ASSY		1	
35	589 24 34-01	CLUTCH		1	
36	582 19 90-01	BRACKET		1	
37	535 48 24-01	PULLEY		1	
38	589 56 23-01	BELT		1	
39	535 48 44-03	BELT TENSIONER ASSY		1	
40	535 48 50-01	SEALING		1	39
41	588 86 73-01	BUSHING		1	
42	589 97 39-01	BELT		1	
43	588 97 98-01	BELT GUIDE		1	
44	588 98 00-01	BELT GUIDE		1	
45	587 42 52-01	BELT GUIDE		1	
46	506 66 56-01	SPRING		1	
47	588 87 88-01	BELT TENSIONER		1	
48	588 82 01-01	BUSHING		1	
49	589 24 37-01	PULLEY		1	
50	589 97 40-01	BELT		1	
51	588 83 90-01	BRACKET		1	
52	588 97 83-01	BELT TENSIONER		1	
53	582 22 16-01	SHEET		1	
54	588 97 93-01	SHAFT		1	
55	589 73 43-01	SUPPORT		2	
56	588 97 94-01	SHAFT		1	
57	589 03 22-01	BRACKET		1	
58	589 03 22-02	BRACKET		1	
59	506 94 69-01	BELT TENS WHEEL ASSY		4	
60	588 97 88-01	BELT GUIDE		4	
61	589 97 41-01	BELT		1	
62	588 87 83-02	SLEEVE		2	
63	590 08 79-01	SLEEVE		1	



CHASSIS

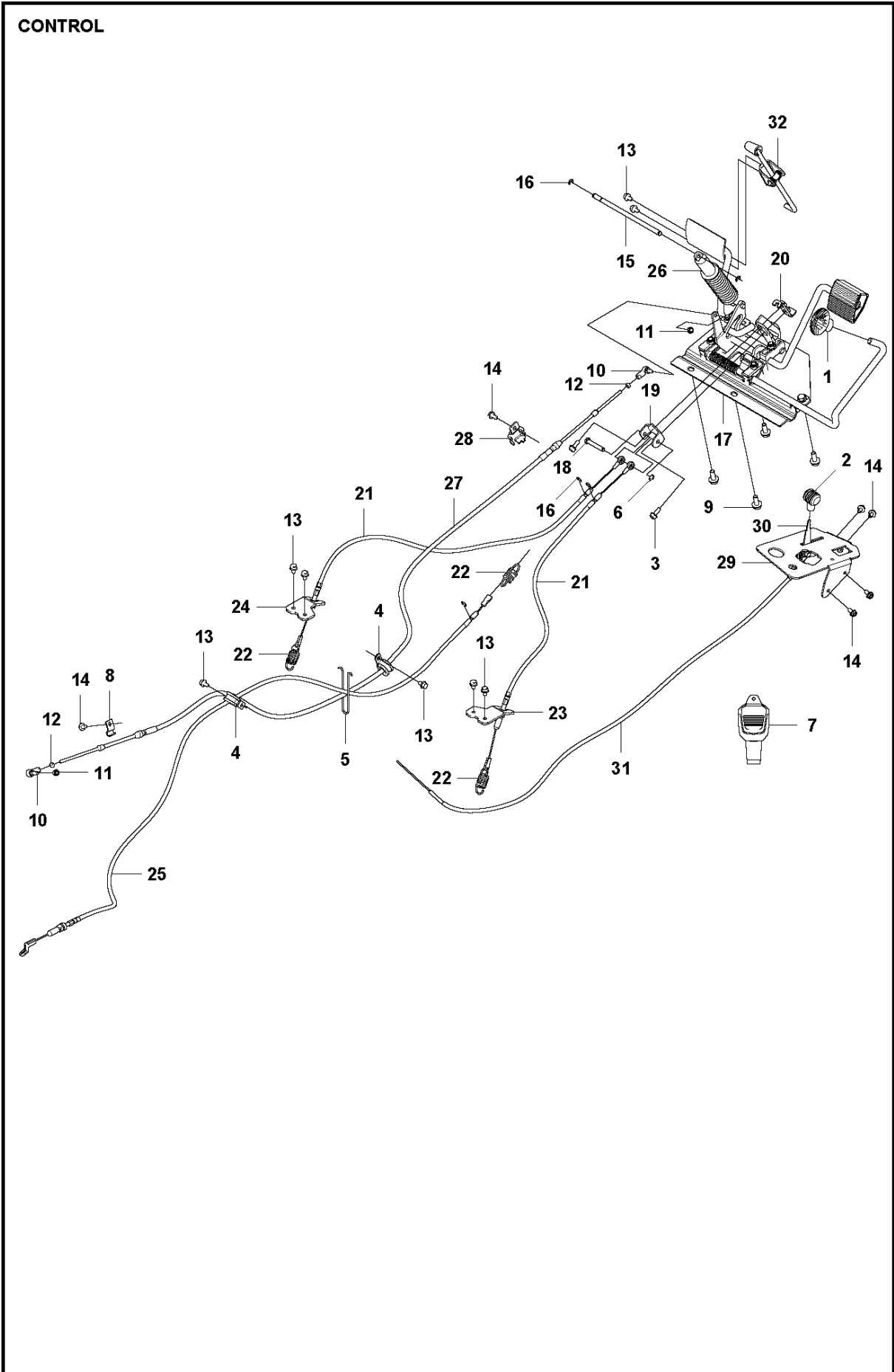
RC 318T, 967628701

Ref	Part No	Description	Remark	QTY KIT
1	506 91 62-01	BLIND RIVET NUT		4
2	725 24 93-71	SCREW EHHM		6
3	732 21 20-51	NUT		2
4	589 73 58-01	PLUG		2
5	588 87 92-02	CHASSIS		1
6	588 98 26-01	ENGINE FRAME		1





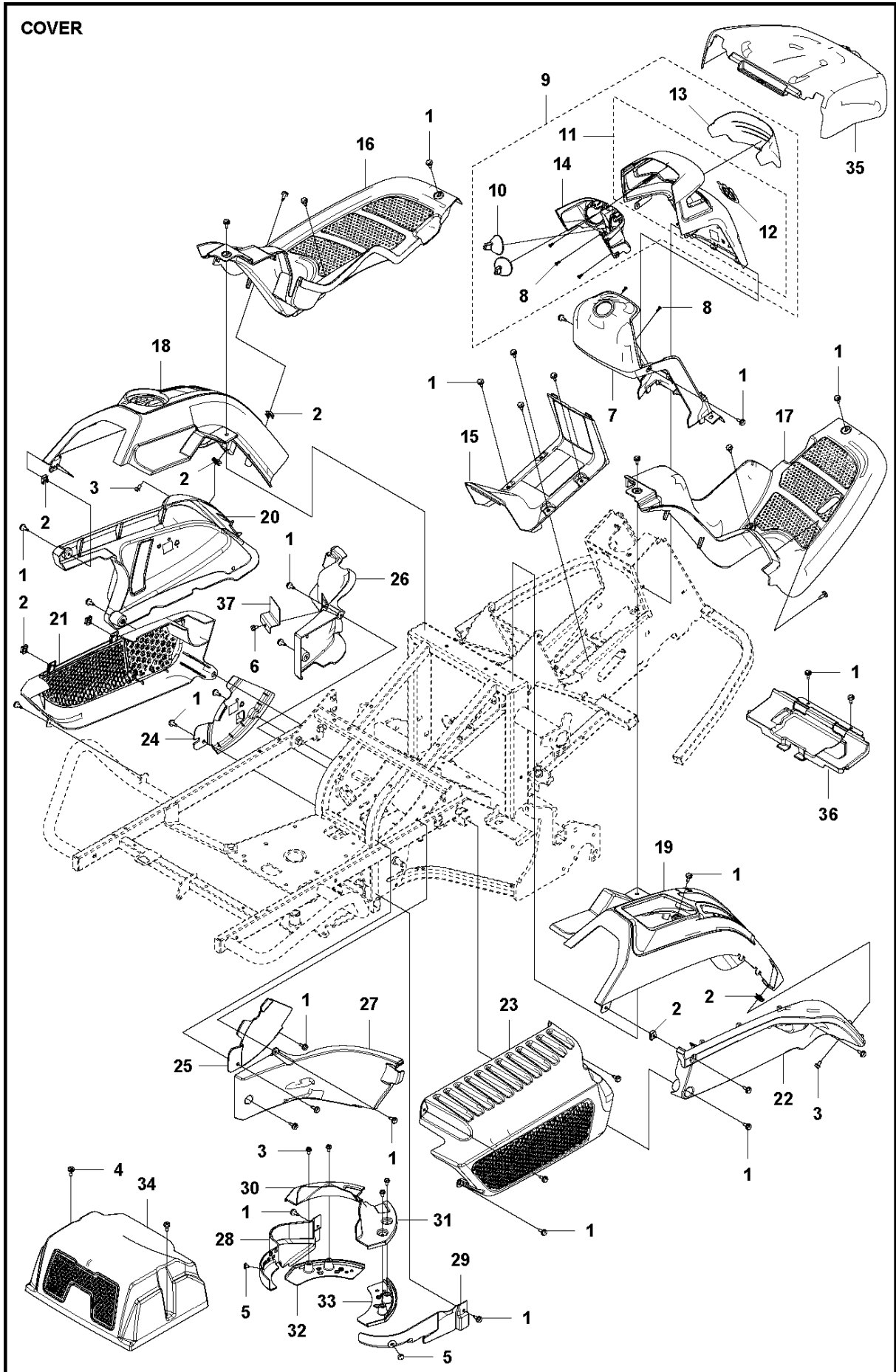
Ref	Part No	Description	Remark	QTY	KIT
1	535 42 58-02	SCREW IHANM		8	
2	504 45 99-01	WASHER		6	
3	732 25 16-01	HEXAGON LOCKING NUT		4	
4	589 01 94-01	PIN		2	
5	721 61 83-01	SPLIT PIN		1	
6	735 31 14-01	CIRCLIP		2	
7	582 75 22-01	CLIP		1	
8	506 57 01-07	SCREW EHHFM		2	
9	725 24 60-71	SCREW EHHM		2	
10	576 64 57-04	NUT FLANGE		4	
11	735 31 14-20	E-CLIP		2	
12	535 43 28-01	SCREW IHSCM		4	
13	734 11 64-01	WASHER		7	
14	506 81 38-01	REINFORCING PLATE		2	
15	501 10 22-01	BEARING		2	
16	725 23 64-61	SCREW EHHFT		4	
17	722 78 05-03	BLIND RIVET		1	
18	506 91 62-04	BLIND RIVET NUT		8	
19	589 00 69-01	BAG FRAME		1	
20	501 06 61-01	LINK ARM		1	
21	501 06 67-01	SHAFT		1	
22	501 06 68-01	SUPPORT WHEEL		2	
23	589 21 38-01	BRACKET		1	
24	501 10 80-01	ACTUATOR		1	
25	589 01 05-01	BRACKET		1	
26	589 01 05-02	BRACKET		1	
27	501 10 21-01	ROD		1	
28	582 38 36-01	TOOL		1	
29	589 00 75-01	BRACKET		1	
30	582 15 94-01	BAG		1	
31	582 58 85-01	BAG		1	30
32	582 57 93-01	SEALING		1	30
33	582 54 71-01	INDICATOR		1	30
34	582 60 42-01	SLEEVE		2	30
35	532 40 75-68	SWITCH		1	30
36	501 09 81-01	MAGNET		3	30
37	577 01 39-01	RIVET		8	30
38	725 63 35-01	SCREW		2	30
39	732 25 14-01	HEXAGON LOCKING NUT		3	30
40	504 45 60-01	WASHER, 5X13X1		3	30
41	589 22 71-01	COVER		1	30
42	589 02 12-01	WIRING		1	30
43	593 12 23-01	SCREW		1	30
44	582 36 97-01	HATCH		1	30
45	501 10 70-01	HINGE		2	30, 44
46	582 41 33-01	HANDLE		1	30, 44
47	577 01 39-01	RIVET		11	30, 44
48	501 17 59-01	REINFORCEMENT PLATE		2	30, 44
49	593 12 21-01	SCREW		4	30, 44
50	501 17 59-01	REINFORCEMENT PLATE		2	30
51	593 12 21-01	SCREW		4	30
52	577 46 90-01	DECAL		2	30
53	582 49 45-01	TUBE		5	30
54	582 49 45-01	TUBE		5	30
55	582 49 45-01	TUBE		2	



## CONTROLS

RC 318T, 967628701

Ref	Part No	Description	Remark	QTY KIT
1	586 72 74-01	KNOB		1
2	506 88 91-01	KNOB		1
3	725 23 68-61	SCREW EHHFT		2
4	574 53 12-03	HOSE CLAMP		2
5	506 57 64-01	CABLE HOLDER		1
6	735 31 10-20	E-CLIP		1
7	586 37 94-01	LEVER		1
8	506 56 65-01	CLIP		1
9	506 57 01-04	SCREW EHHFM		4
10	578 77 68-01	BALL JOINT		2
11	732 21 16-01	NUT		2
12	731 23 14-01	HEXAGON NUT		2
13	725 23 64-61	SCREW EHHFT		8
14	535 47 52-12	SCREW EHHFM		6
15	589 77 49-01	SHAFT		1
16	735 31 09-20	E-CLIP		5
17	586 96 93-01	PEDAL PLATE ASSY		1
18	582 76 33-01	PIN		1
19	582 72 19-01	BRACKET		1
20	582 75 68-01	BRACKET		1
21	582 76 77-01	WIRE		2
22	506 91 91-02	BRAKE SPRING		1
23	582 71 75-01	BRACKET		1
24	582 71 75-02	BRACKET		1
25	506 99 27-04	BRAKE WIRE		1
26	506 93 83-01	DAMPING PIECE		1
27	574 41 12-04	CONTROL CABLE		1
28	589 02 65-01	BRACKET		1
29	588 83 46-01	SHEET		1
30	582 65 62-01	THROTTLE CONTROL ASSY		1
31	544 30 17-11	WIRE		1
32	544 40 31-01	BRAKE LEVER ASSY		1

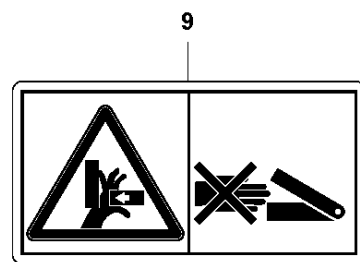
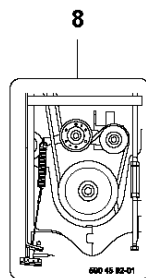
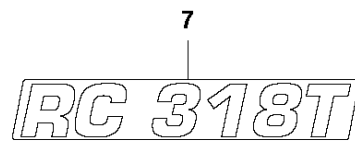
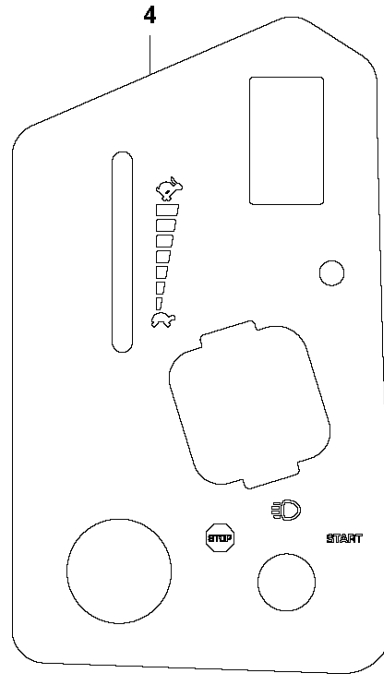
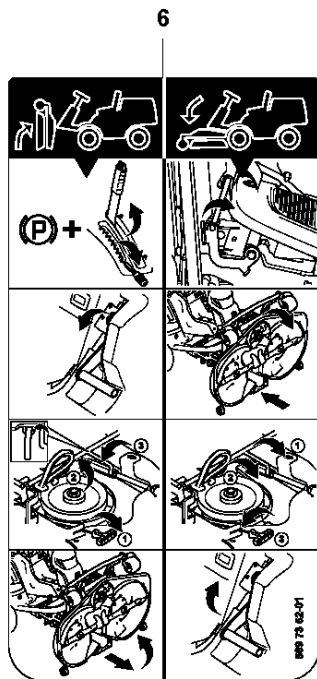
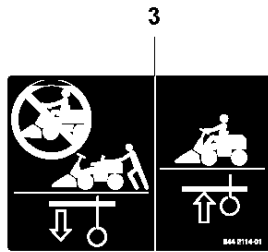
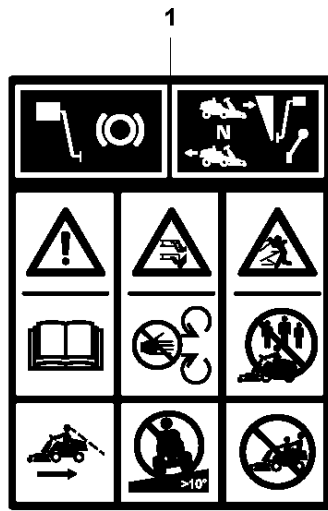


## COVER

RC 318T, 967628701

Ref	Part No	Description	Remark	QTY	KIT
1	544 40 05-01	SCREW		36	
2	535 42 91-01	SPRING NUT		8	
3	535 47 52-12	SCREW EHHFM		6	
4	574 85 62-01	SCREW		2	
5	522 55 73-01	SCREW		2	
6	725 23 64-61	SCREW EHHFT		1	
7	589 21 15-01	COVER		1	
8	504 61 09-01	SCREW ITPANT		5	9
9	589 21 14-01	COVER		1	
10	582 21 42-01	LAMP		2	9
11	501 05 63-01	COVER		1	9
12	576 97 34-01	DECAL		1	9, 11
13	589 21 10-01	COVER		1	9
14	589 21 09-01	COVER		1	9
15	589 21 11-01	COVER		1	
16	589 22 46-01	COVER		1	
17	589 22 45-01	COVER		1	
18	582 27 76-01	COVER ASSY		1	
19	582 27 75-01	COVER ASSY		1	
20	589 22 54-01	COVER		1	
21	589 22 56-01	COVER		1	
22	589 22 53-01	COVER		1	
23	589 22 55-01	COVER		1	
24	589 22 58-01	COVER		1	
25	589 22 57-01	COVER		1	
26	589 22 60-01	COVER		1	
27	589 22 59-01	COVER		1	
28	589 22 62-01	COVER		1	
29	589 22 61-01	COVER		1	
30	589 22 63-02	COVER		1	
31	589 22 63-01	COVER		1	
32	589 22 64-02	COVER		1	
33	589 22 64-01	COVER		1	
34	574 88 60-01	COVER		1	
35	589 22 43-01	COVER		1	
36	589 22 44-01	COVER		1	
37	589 94 88-01	PROTECTIVE PLATE		1	

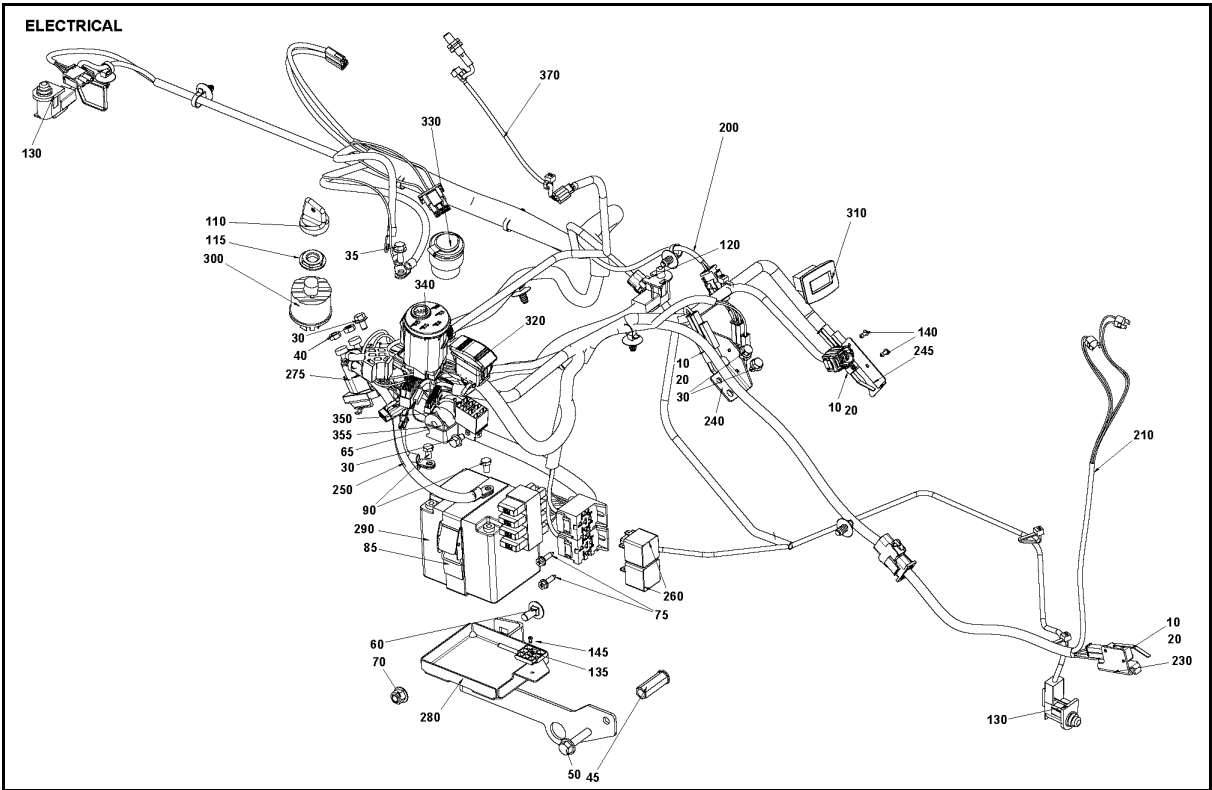
DECALS



DECALS

RC 318T, 967628701

Ref	Part No	Description	Remark	QTY KIT
1	582 57 00-02	LABEL		1
2	581 78 40-06	LABEL		1
3	544 21 14-01	LABEL		1
4	589 74 02-01	DECAL		1
5	582 57 01-01	LABEL		1
6	589 73 52-01	DECAL		1
7	578 36 45-16	DECAL		2
8	590 45 92-01	LABEL		1
9	580 71 29-01	LABEL		1

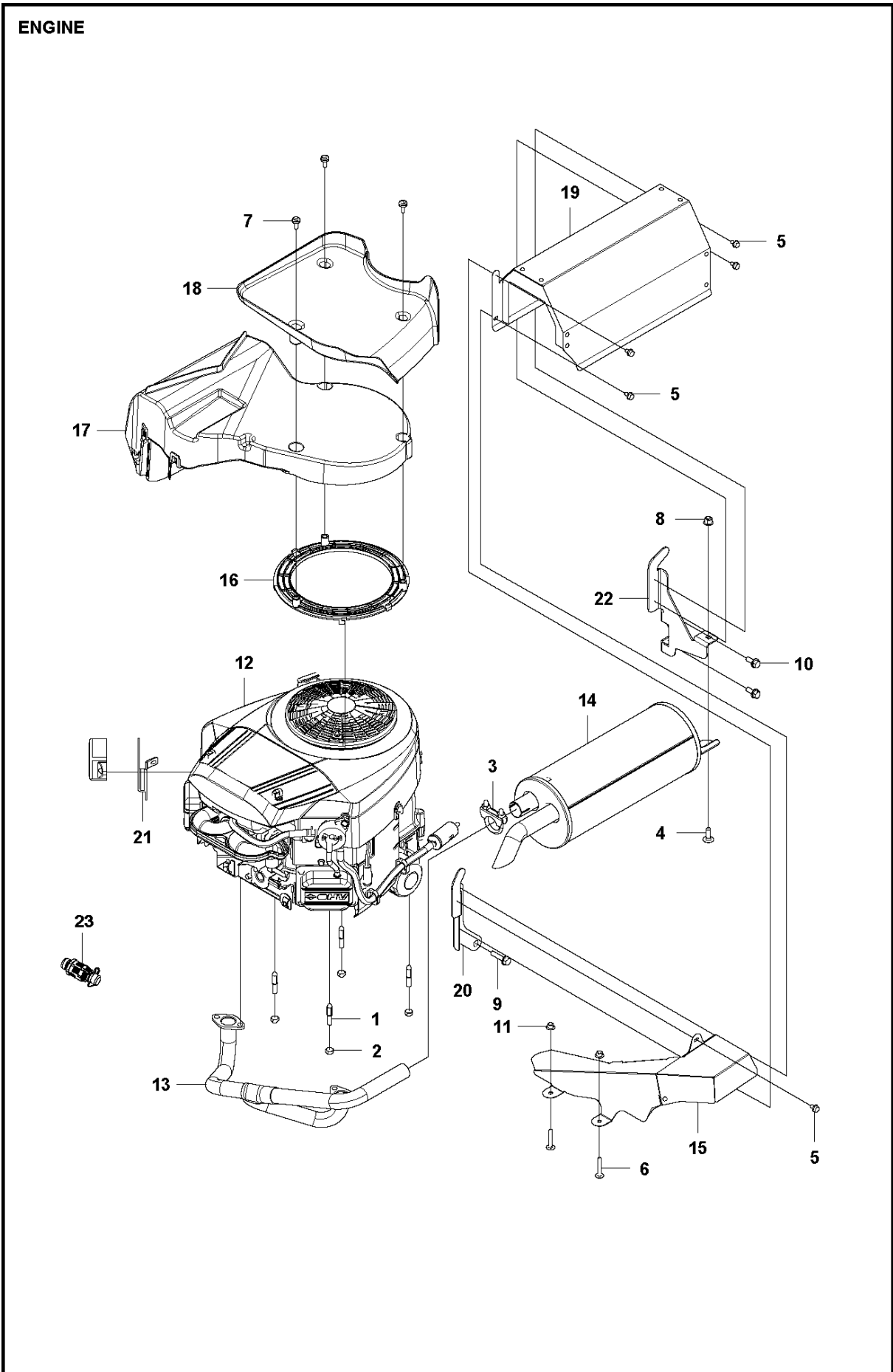




## ELECTRICAL

RC 318T, 967628701

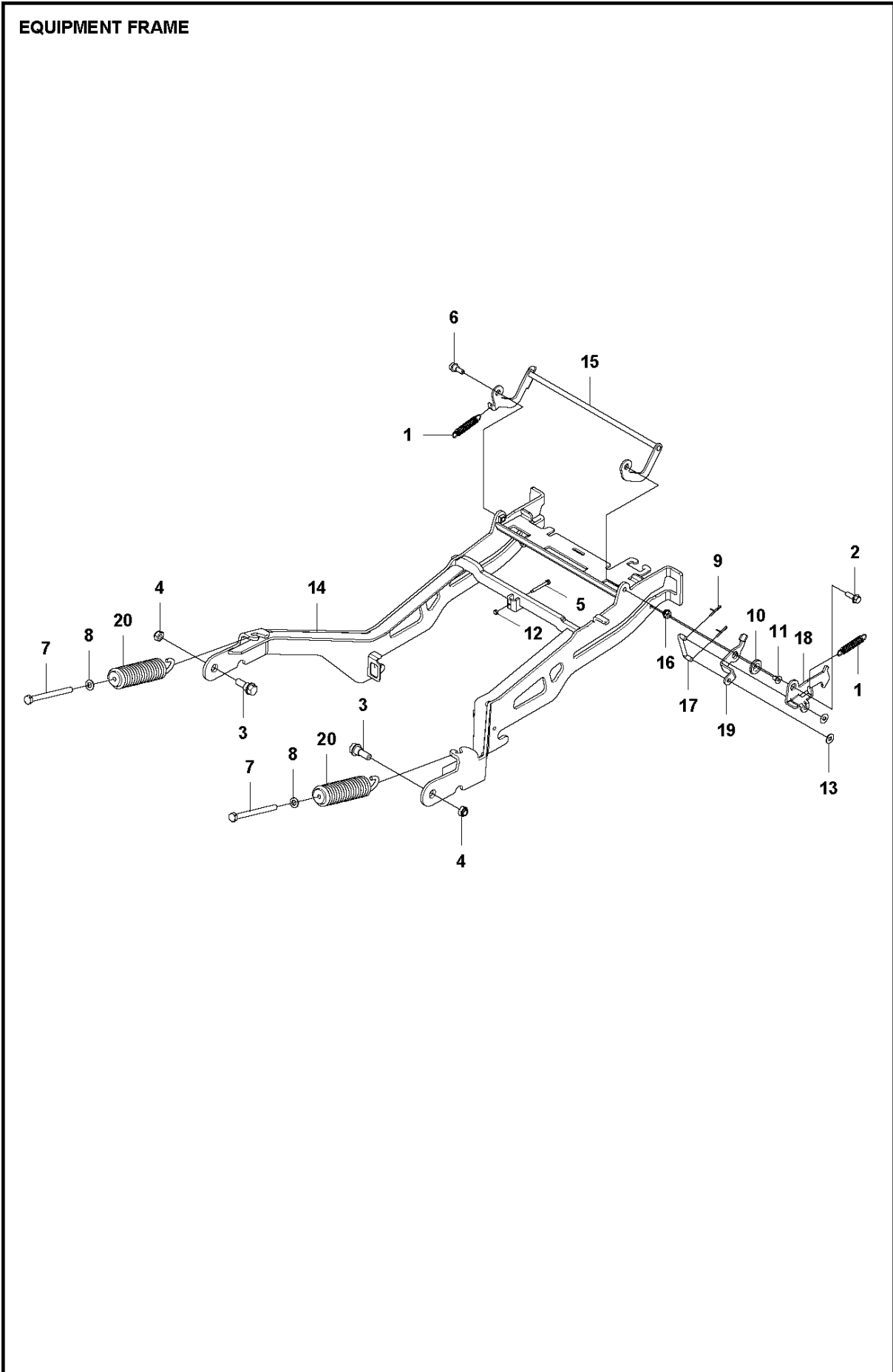
Ref	Part No	Description	Remark	QTY KIT
10	574 31 61-01	SWITCH		4
20	544 44 07-01	RIVET		8
30	725 23 64-61	SCREW EHHFT		4
35	725 23 68-01	SCREW		1
40	506 89 98-01	NUT		2
45	576 43 42-01	HEXAGON NUT		1
50	506 57 01-06	SCREW EHHFM		1
60	727 64 51-51	SCREW		1
65	734 11 64-41	WASHER		1
70	576 64 57-04	NUT FLANGE		1
75	535 41 56-19	SCREW		2
85	506 83 68-05	BELT		1
90	522 62 21-02	SCREW EHHM		2
110	544 44 24-01	IGNITION KEY		1
115	544 44 23-01	NUT		1
120	506 90 96-01	SWITCH		1
130	532 40 75-68	SWITCH		2
135	501 00 75-01	CLIP		1
140	722 79 29-09	BLIND RIVET		2
145	722 79 26-09	RIVET		1
200	589 02 11-01	WIRING		1
210	578 32 89-01	WIRING		1
230	544 41 57-01	BRACKET		1
240	588 91 49-01	BRACKET		1
245	582 15 28-01	BRACKET		1
250	582 11 56-01	CABLE		1
260	582 04 96-01	RELAY		2
275	544 43 98-01	RELAY		1
280	588 93 02-01	BRACKET		1
290	589 39 28-01	BATTERY		1
300	578 26 17-01	IGNITION SWITCH		1
310	587 76 43-01	HOUR METER		1
320	589 31 45-01	SWITCH		1
330	535 47 48-01	POWER SOCKET		1
340	582 68 39-02	SWITCH		1
350	501 18 21-01	BUZZER		1
355	589 41 17-01	BRACKET		1
370	582 60 67-01	WIRING ASSY		1



## ENGINE

RC 318T, 967628701

Ref	Part No	Description	Remark	QTY KIT
1	578 20 75-01	STUD SCREW		4
2	732 21 18-01	LOCK NUT		4
3	501 15 22-01	CLAMP ASSY		1
4	535 42 38-01	SCREW RSQM		1
5	725 23 64-61	SCREW EHHFT		5
6	727 63 78-01	SCREW RSQM		2
7	574 85 62-02	SCREW		3
8	576 64 57-04	NUT FLANGE		1
9	506 57 01-06	SCREW EHHFM		1
10	506 57 01-04	SCREW EHHFM		2
11	576 64 57-03	NUT FLANGE		2
12	582 28 65-01	ENGINE		1
13	588 91 27-01	MANIFOLD		1
14	590 44 36-01	MUFFLER ASSY		1
15	589 28 38-01	HEAT SHIELD		1
16	501 09 67-01	AIR INTAKE		1
17	582 15 32-01	AIR DUCT		1
18	582 40 60-01	PLATE		1
19	582 32 34-01	HEAT SHIELD		1
20	588 98 37-01	BRACKET		1
21	582 61 07-01	BRACKET		1
22	589 50 91-01	BRACKET		1
23	532 42 82-87	PLUG		1



## FRAME

RC 318T, 967628701

Ref	Part No	Description	Remark	QTY KIT
1	544 13 36-01	DRAW SPRING		2
2	506 57 01-05	SCREW EHHFM		1
3	506 89 58-01	COLLAR SCREW		2
4	732 25 22-01	HEXAGON LOCKING NUT		2
5	577 10 31-01	SCREW ITXSCFM		1
6	506 59 74-01	SCREW EHHFM		1
7	725 25 15-71	SCREW EHHM		2
8	734 11 72-01	WASHER		2
9	721 61 83-01	SPLIT PIN		2
10	581 76 52-01	WASHER		1
11	725 64 48-01	SCREW IHCSFM		1
12	732 21 14-01	LOCK NUT		1
13	503 23 01-16	WASHER		2
14	588 85 08-01	EQUIPMENT FRAME		1
15	588 88 96-01	HOOK		1
16	588 93 81-01	SLEEVE		1
17	588 89 00-01	ROD		1
18	588 89 01-01	SHEET		1
19	588 89 02-01	SHEET		1
20	505 42 09-01	SPRING		2

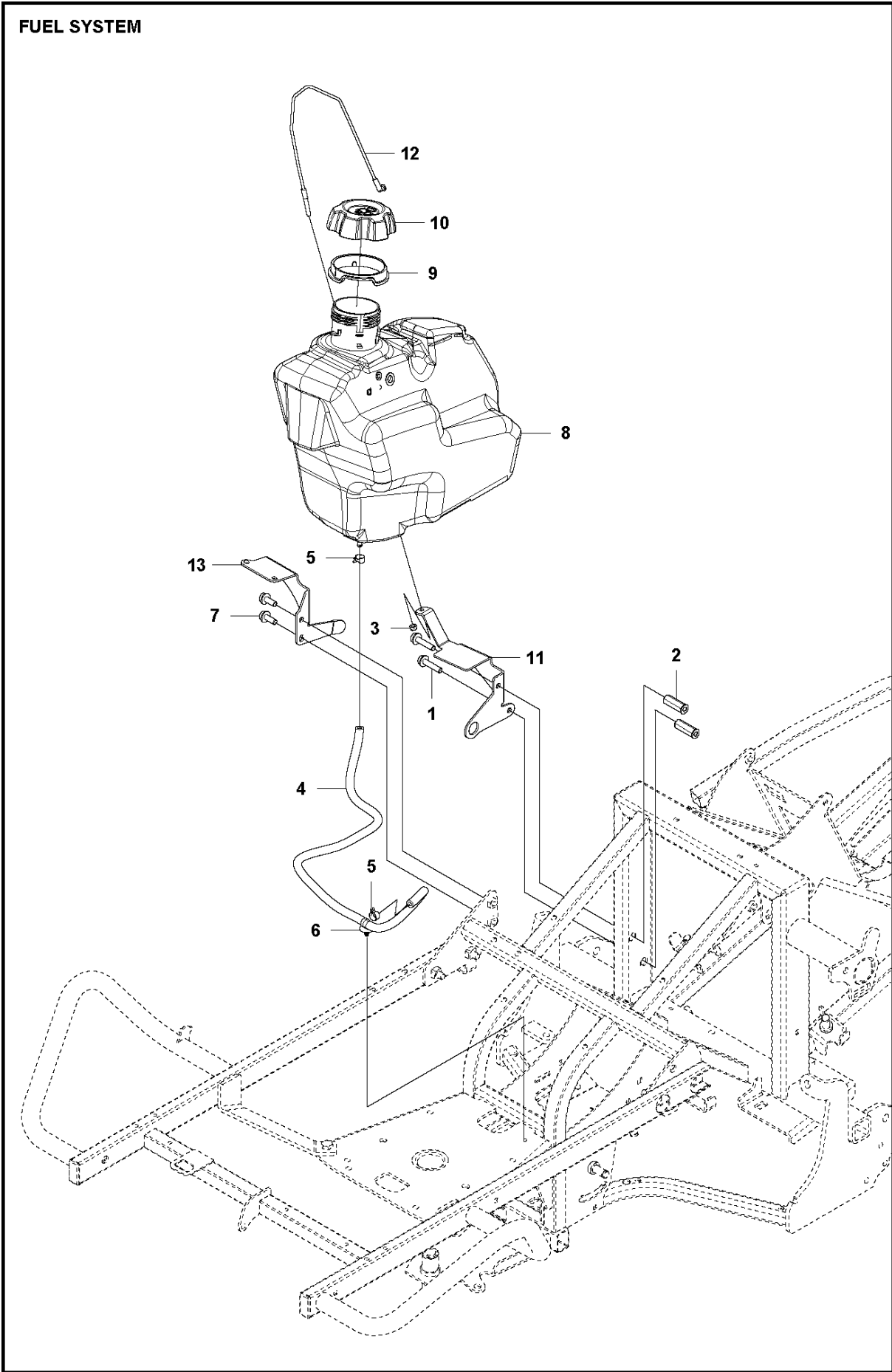
**FREQUENTLY USED PARTS**

- 1 Air filter**
- 2 Battery**
- 3 Belt cutting deck**
- 4 Belt drive**
- 5 Belt engine-intermediate pulley**
- 6 Belt intermediate pulley-cutting deck**
- 7 Belt auger**
- 8 Belt auger-electric clutch**
- 9 Belt electric clutch-intermediate pulley**
- 10 Blade**
- 11 Blade**
- 12 Blade**
- 13 Blade bolt**
- 14 Blade bolt**
- 15 Fuel Filter**
- 16 Fuel cap**
- 17 Hydraulic Oil Filter**
- 18 Oil Filter**
- 19 Spark plug**
- 20 Starter key**

## FREQUENTLY USED PARTS

RC 318T, 967628701

Ref	Part No	Description	Remark	QTY KIT
1	TBD	TBD		1
2	589 39 28-01	BATTERY		1
3	589 97 42-01	BELT		1
4	589 56 23-01	BELT		1
5	589 97 39-01	BELT		1
6	589 97 38-01	BELT		1
7	589 97 37-01	BELT		1
8	589 97 41-01	BELT		1
9	589 97 40-01	BELT		1
10	588 82 43-10	BLADE		1
11	588 82 43-20	BLADE		1
12	588 82 44-10	BLADE		1
13	588 79 32-01	SCREW		1
14	544 11 41-01	SCREW EHHM		1
15	TBD	TBD		1
16	584 24 87-02	CAP		1
17	574 86 71-01	OIL FILTER		1
18	TBD	TBD		1
19	TBD	TBD		1
20	544 44 24-01	IGNITION KEY		1

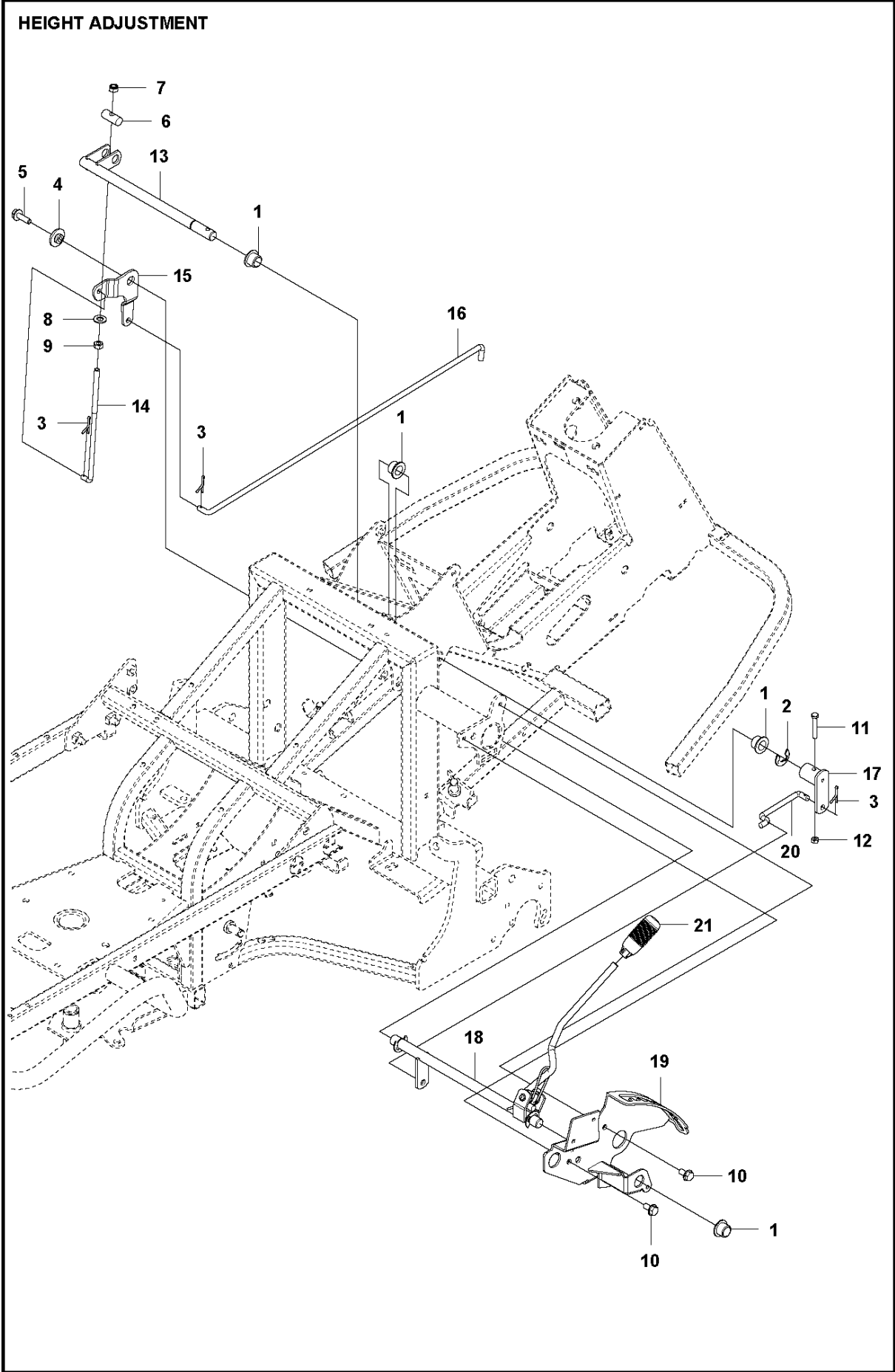




## FUEL SYSTEM

RC 318T, 967628701

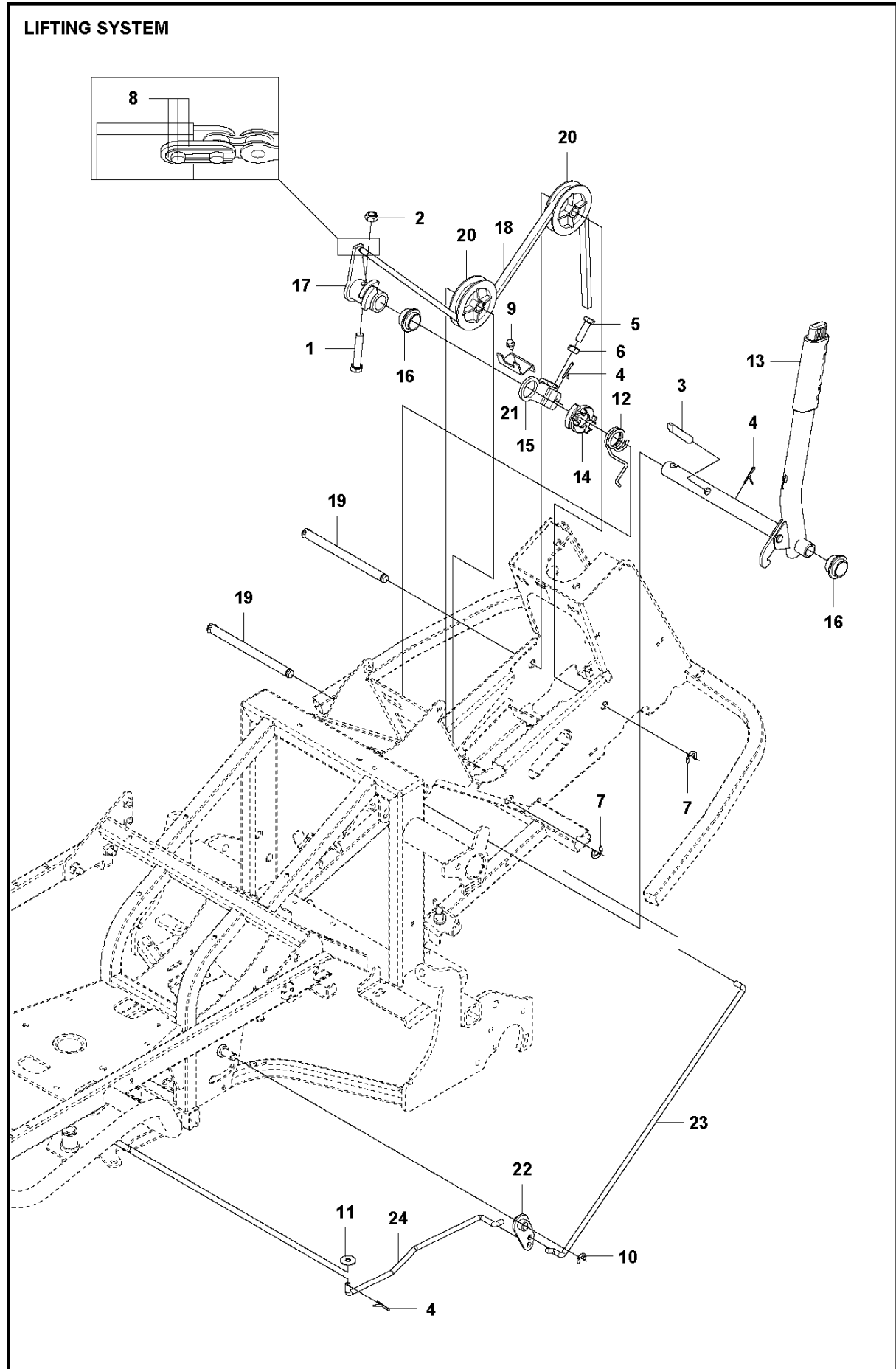
Ref	Part No	Description	Remark	QTY KIT
1	506 57 01-06	SCREW EHHFM		2
2	576 43 42-01	HEXAGON NUT		2
3	732 21 16-01	NUT		1
4	504 80 00-09	FUEL HOSE		1
5	535 46 97-01	HOSE BRACE		2
6	579 31 74-01	STRAP		1
7	506 57 01-04	SCREW EHHFM		2
8	501 10 40-01	FUEL TANK		1
9	577 76 45-01	LOCKING NUT		1
10	584 24 87-02	CAP		1
11	589 24 06-01	BRACKET		1
12	578 26 15-02	WIRE		1
13	589 21 40-01	BRACKET		1



## HEIGHT ADJUSTMENT

RC 318T, 967628701

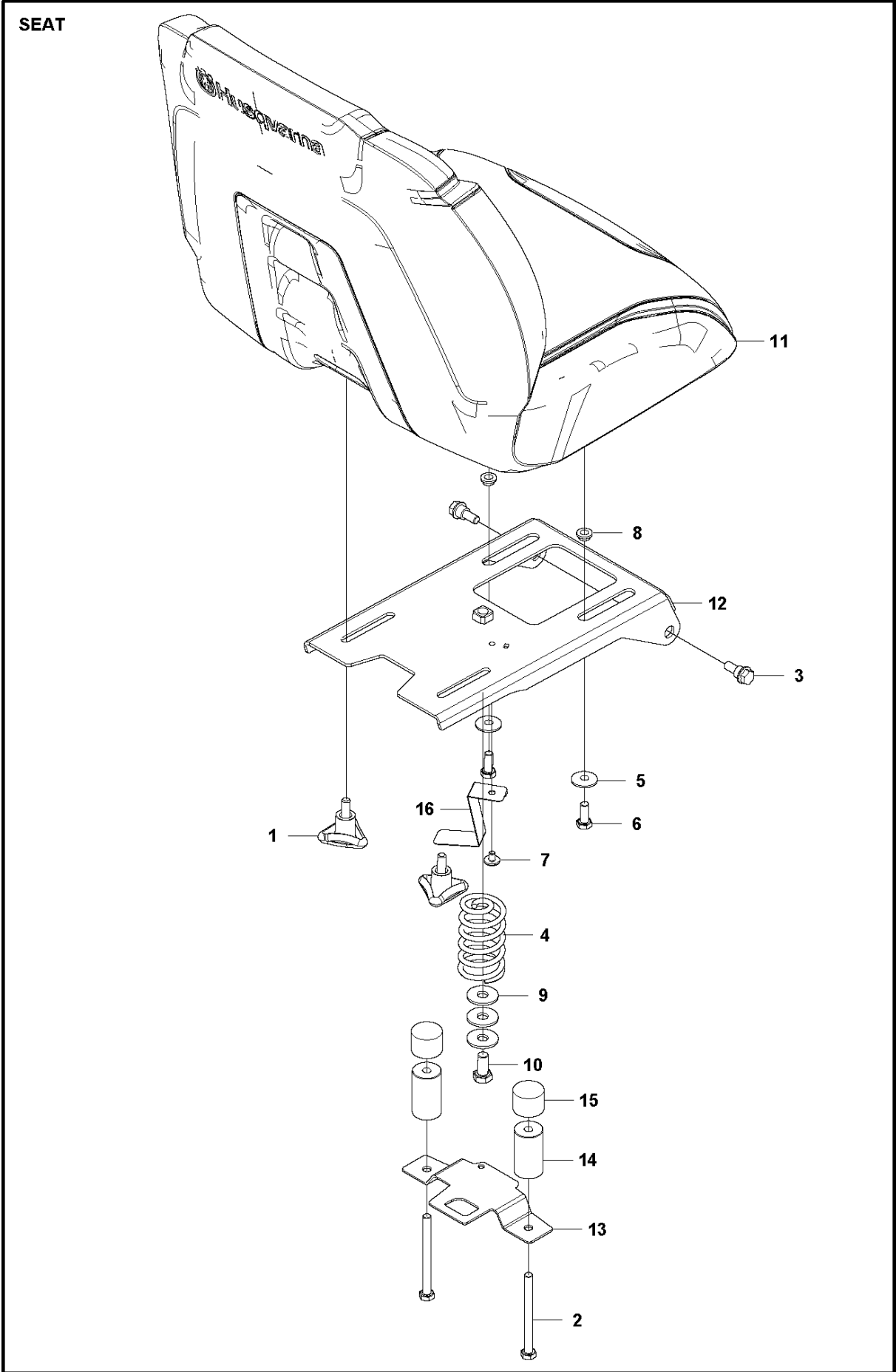
Ref	Part No	Description	Remark	QTY KIT
1	584 87 13-02	BEARING		4
2	735 31 22-20	E-CLIP		1
3	721 61 83-01	SPLIT PIN		3
4	574 87 41-01	WASHER		1
5	506 57 01-05	SCREW EHHFM		1
6	506 78 46-01	PEN		1
7	732 21 18-01	LOCK NUT		1
8	734 11 72-01	WASHER		1
9	731 23 18-01	HEXAGON NUT		1
10	506 57 01-03	SCREW EHHFM		2
11	725 23 78-51	SCREW EHHM		1
12	732 25 16-01	HEXAGON LOCKING NUT		1
13	588 93 32-01	SHAFT ASSY		1
14	588 93 57-01	ROD		1
15	588 93 55-01	LINK		1
16	588 93 56-01	CONNECTION ROD		1
17	588 93 38-01	LINK ASSY		1
18	582 19 82-01	HEIGHT ADJUSTER		1
19	588 68 10-01	BRACKET		1
20	588 93 58-01	ROD		1
21	506 54 20-01	HANDLE		1



## MOWER LIFT / DECK LIFT

RC 318T, 967628701

Ref	Part No	Description	Remark	QTY KIT
1	725 25 44-71	SCREW EHHM		1
2	732 25 22-01	HEXAGON LOCKING NUT		1
3	525 40 66-01	PEN		1
4	721 61 83-01	SPLIT PIN		3
5	725 24 97-51	SCREW		1
6	731 23 20-51	HEXAGON NUT		1
7	735 31 18-20	E-CLIP		2
8	506 55 47-01	LINKAGE		1
9	725 23 64-61	SCREW EHHFT		1
10	735 31 14-20	E-CLIP		1
11	734 11 64-41	WASHER		1
12	589 28 42-01	SPRING		1
13	582 19 08-01	LIFTING LEVER ASSY		1
14	588 92 71-01	ANVIL		1
15	588 92 70-01	LIFTING ARM		1
16	588 92 69-02	BEARING		2
17	588 97 34-01	LIFTING ARM		1
18	506 55 46-12	CHAIN		1
19	582 87 19-02	SHAFT		2
20	506 90 56-01	OFFSET PULLEY		2
21	501 09 29-01	BRACKET		1
22	588 97 40-01	LINK ASSY		1
23	588 97 44-01	ROD		1
24	588 97 45-01	ROD		1



## SEAT

RC 318T, 967628701

Ref	Part No	Description	Remark	QTY KIT
1	585 06 52-02	KNOB		2
2	725 24 69-51	SCREW EHHM		2
3	506 59 74-01	SCREW EHHFM		2
4	582 26 17-01	COMPRESSION SPRING		1
5	734 11 64-41	WASHER		2
6	725 24 51-71	SCREW EHHM		2
7	522 55 73-01	SCREW		1
8	506 56 53-01	BUSHING		2
9	734 11 74-41	WASHER		3
10	725 24 93-71	SCREW EHHM		1
11	589 34 58-01	SEAT		1
12	589 00 51-01	SEAT BRACKET		1
13	589 00 52-01	BRACKET		1
14	588 87 83-01	SLEEVE		2
15	544 25 21-02	ANTIVIBRATION ELEMENT		2
16	588 87 89-01	BRACKET		1

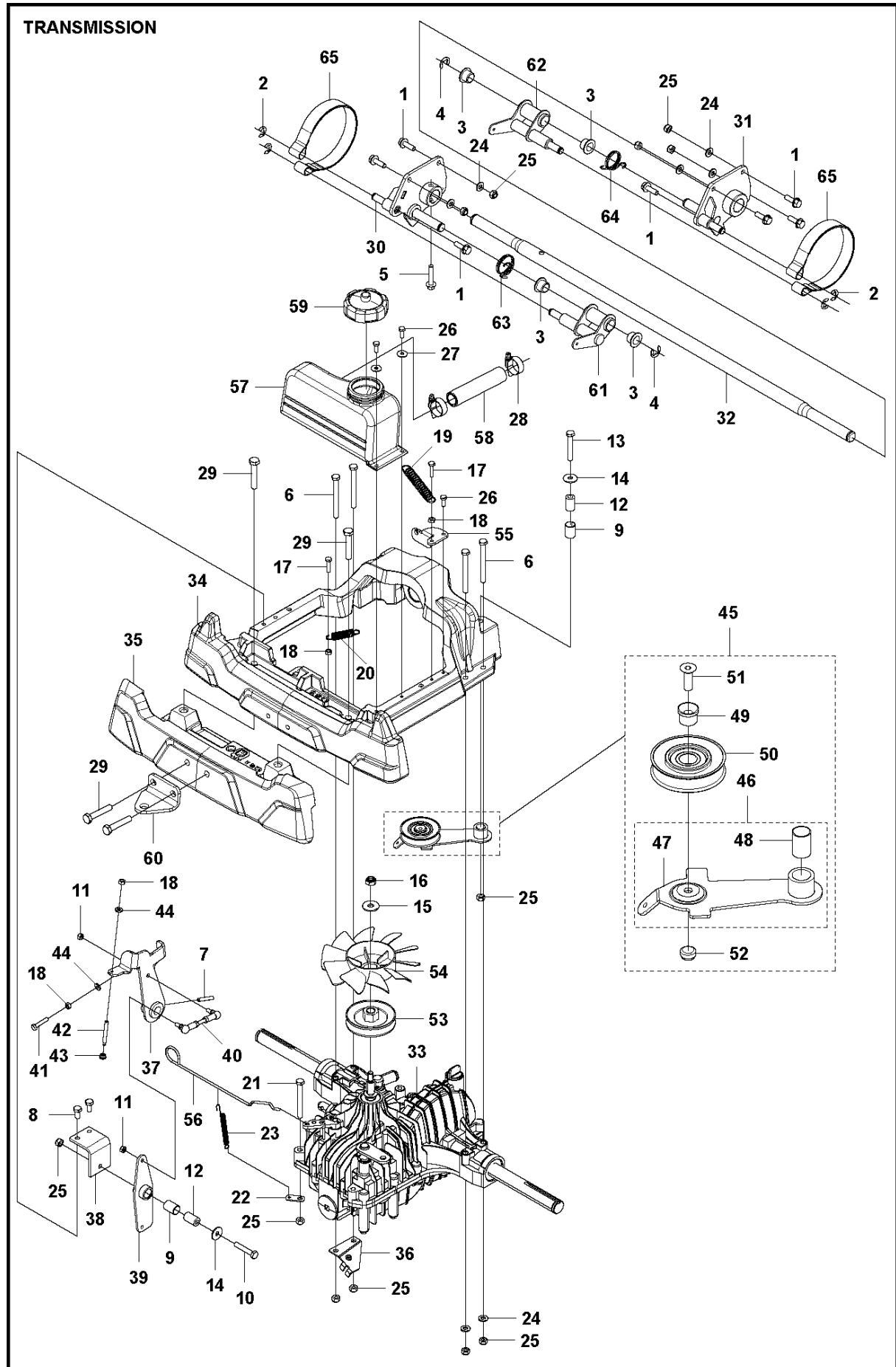




## STEERING

RC 318T, 967628701

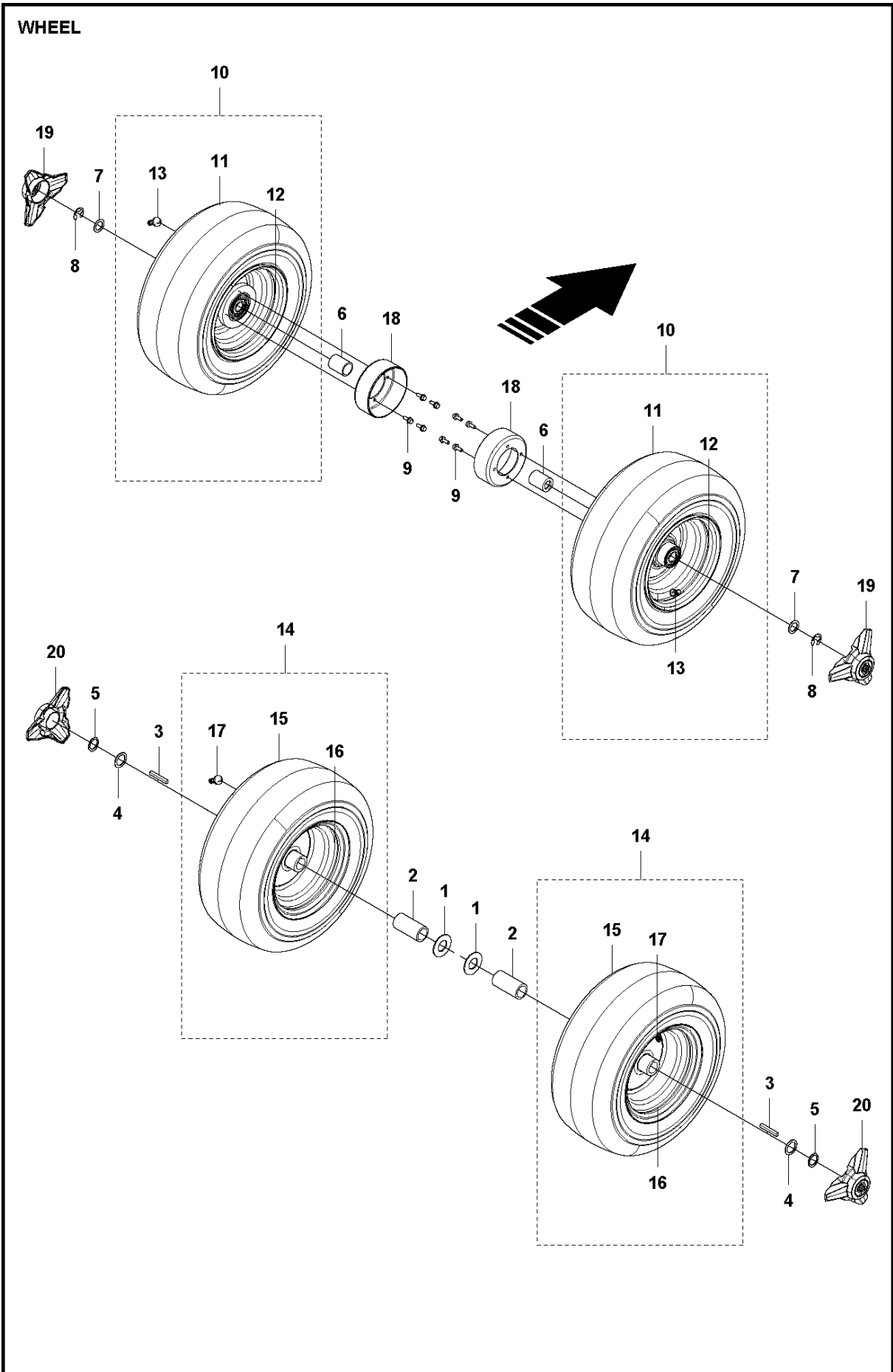
Ref	Part No	Description	Remark	QTY KIT
1	506 57 01-04	SCREW EHHFM		4
2	735 31 17-00	CIRCLIP		1
3	735 31 14-20	E-CLIP		4
4	734 11 74-41	WASHER		1
5	506 67 54-03	SCREW EHHFM		1
6	738 21 10-04	BALL BEARING		1
7	738 21 05-04	BALL BEARING		1
8	735 31 40-10	CIRCLIP		1
9	582 10 46-01	WASHER		2
10	740 68 15-21	V-RING		1
11	735 31 28-00	CIRCLIP		2
12	735 31 26-00	CIRCLIP		1
13	731 23 20-51	HEXAGON NUT		2
14	732 21 20-51	NUT		2
15	725 23 64-61	SCREW EHHFT		1
16	506 55 47-01	LINKAGE		2
17	728 74 55-05	SCREW IHSETM		1
18	731 23 18-01	HEXAGON NUT		1
19	544 43 32-01	PROTECTIVE COVER		1
20	506 59 74-01	SCREW EHHFM		1
21	727 63 72-51	SCREW		2
22	576 64 57-03	NUT FLANGE		2
23	501 09 72-01	BRACKET		1
24	583 90 88-01	STEERING ROD		1
25	506 52 24-01	STARTER PULLEY		4
26	584 15 56-01	BRACKET		1
27	576 49 25-03	PULLEY		1
28	501 67 94-01	SPINDLE		1
29	535 46 30-02	SWING AXLE		1
30	582 17 86-01	WIRE GUIDE		1
31	501 60 48-05	CABLE ASSY		2
32	506 55 46-14	CHAIN		1
33	588 97 47-01	WIRE GUIDE		1
34	587 08 09-01	DRIVER		1
35	577 96 04-01	STEERING WHEEL		1
36	588 97 97-01	SPRING RETAINER		1
37	506 67 08-01	LINK		1
38	506 67 19-01	SPRING		1
39	582 38 45-01	BRACKET		2



## TRANSMISSION

RC 318T, 967628701

Ref	Part No	Description	Remark	QTY	KIT
1	506 57 01-05	SCREW EHHFM		7	
2	735 31 15-20	E-CLIP		4	
3	584 87 13-02	BEARING		4	
4	735 31 18-20	E-CLIP		2	
5	725 24 59-61	SCREW EHHFT		1	
6	504 62 82-01	SCREW EHHM		4	
7	721 43 47-01	SPRING PIN		1	
8	725 24 49-51	SCREW		2	
9	506 98 61-03	BUSHING		2	
10	725 24 60-51	SCREW EHHM		1	
11	732 25 16-01	HEXAGON LOCKING NUT		2	
12	506 99 20-01	PIPE		2	
13	725 24 62-51	SCREW EHHM		1	
14	734 11 64-41	WASHER		2	
15	734 11 74-41	WASHER		1	
16	732 21 20-51	NUT		1	
17	725 23 72-71	SCREW EHHM		2	
18	731 23 16-01	HEXAGON NUT		4	
19	506 54 25-01	SPRING		1	
20	506 53 56-03	DRAW SPRING		1	
21	725 24 66-51	SCREW		1	
22	506 59 93-01	LINK		1	
23	506 83 43-01	SPRING		1	
24	734 11 64-01	WASHER		7	
25	732 21 18-01	LOCK NUT		12	
26	725 23 68-71	SCREW EHHM		3	
27	734 11 54-41	WASHER		2	
28	505 44 36-01	HOSE CLAMP		2	
29	725 25 02-71	SCREW EHHM		4	
30	582 56 57-01	SHEET		1	
31	582 56 57-02	SHEET		1	
32	589 03 26-01	WHEEL AXLE		1	
33	501 11 41-01	TRANSMISSION		1	
34	501 75 08-01	FRAME ASSY		1	
35	582 05 11-01	COUNTERWEIGHT		1	
36	506 99 15-01	BRACKET		1	
37	582 81 74-01	LEVER		1	
38	506 99 21-01	LEVER		1	
39	582 85 93-01	LEVER		1	
40	506 99 22-01	ADJUSTMENT ROD		1	
41	725 23 74-71	SCREW EHHM		1	
42	589 40 40-01	SCREW		1	
43	589 40 33-01	PAD		1	
44	503 23 04-05	WASHER		2	
45	506 99 30-01	BELT TENSIONER ASSY		1	
46	535 40 63-01	BELT TENSIONER ASSY		1	45
47	506 99 31-01	BELT TENSIONER ASSY		1	45, 46
48	506 98 61-03	BUSHING		1	45, 46
49	506 99 33-01	SLEEVE		1	45
50	506 94 70-01	BELT TENSIONER WHEEL		1	45
51	725 64 53-01	SCREW IHCSFM		1	45
52	732 21 18-01	LOCK NUT		1	45
53	506 99 14-01	PULLEY		1	
54	506 94 81-01	FAN		1	
55	506 99 28-01	BRACKET		1	
56	505 49 01-01	ARM		1	
57	535 45 81-01	EXPANSION TANK		1	
58	535 45 83-01	HOSE		1	
59	506 67 33-01	TANK CAP ASSY		1	
60	506 88 99-01	HITCH		1	
61	582 52 75-01	BRACKET		1	
62	582 52 75-02	BRACKET		1	
63	582 76 27-01	SPRING		1	
64	582 76 27-02	SPRING		1	
65	582 40 29-01	BRAKE BAND		2	



## WHEELS &amp; TIRES

RC 318T, 967628701

Ref	Part No	Description	Remark	QTY	KIT
1	506 94 58-01	WASHER		2	
2	506 80 09-11	SLEEVE		2	
3	506 55 59-01	WEDGE		2	
4	506 50 48-06	WASHER		2	
5	574 45 88-01	CIRCLIP		2	
6	544 13 26-03	SLEEVE		2	
7	506 50 48-05	WASHER		2	
8	506 89 90-01	E-CLIP		2	
9	725 23 68-61	SCREW EHHFT		8	
10	501 08 32-01	WHEEL		2	
11	589 39 55-01	TIRE		1	10
12	589 42 02-01	RIM ASSY		1	10
13	523 03 47-01	VALVE		1	10
14	501 08 23-01	WHEEL		2	
15	589 39 55-01	TIRE		1	14
16	588 87 81-01	RIM		1	14
17	523 03 47-01	VALVE		1	14
18	582 40 78-01	BRAKE DRUM		2	
19	544 35 35-02	HUB CAP		2	
20	544 35 35-04	HUB CAP		2	