

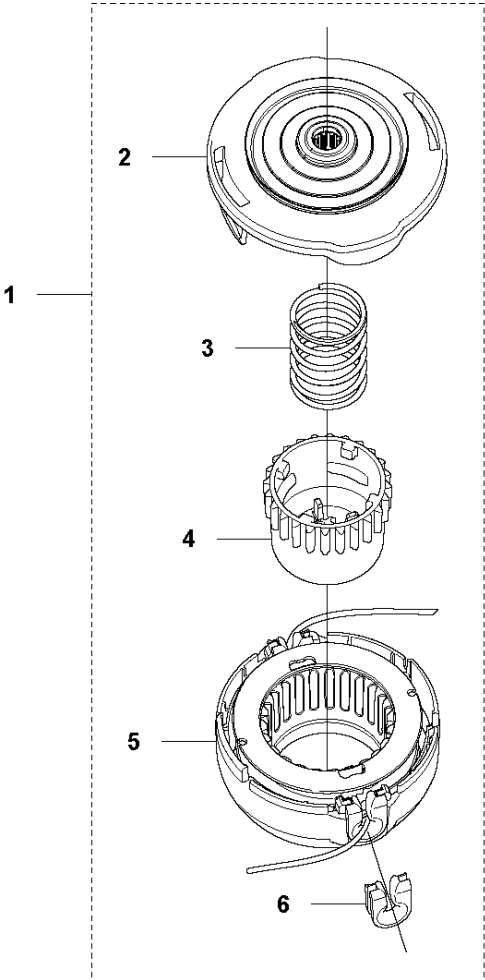


SPARE PARTS LIST

TRIMMERS/EDGERS

336 LiC

F 336 LiC
ACCESSORIES

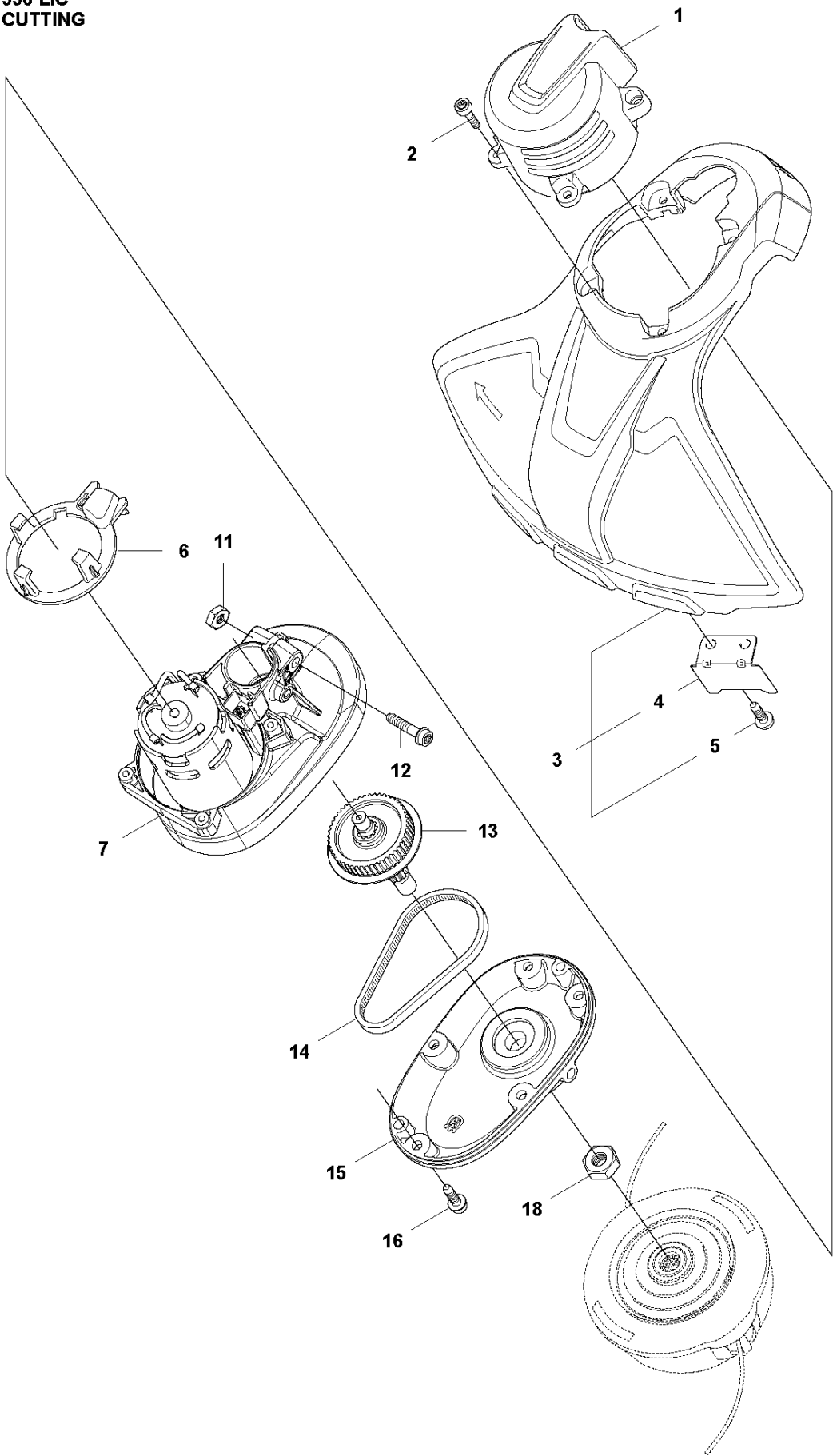


ACCESSORIES

336 LiC

Ref	Part No	Description	Remark	QTY	KIT
1	579 29 40-02	TRIMMER HEAD		1	
2	585 51 08-01	HOUSING ASSY		1	1
3	577 05 03-01	SPRING		1	1
4	577 04 93-01	KNOB		1	1
5	578 19 69-01	COVER		1	1
6	501 33 04-01	GROMMET		2	1

A 336 LiC
CUTTING

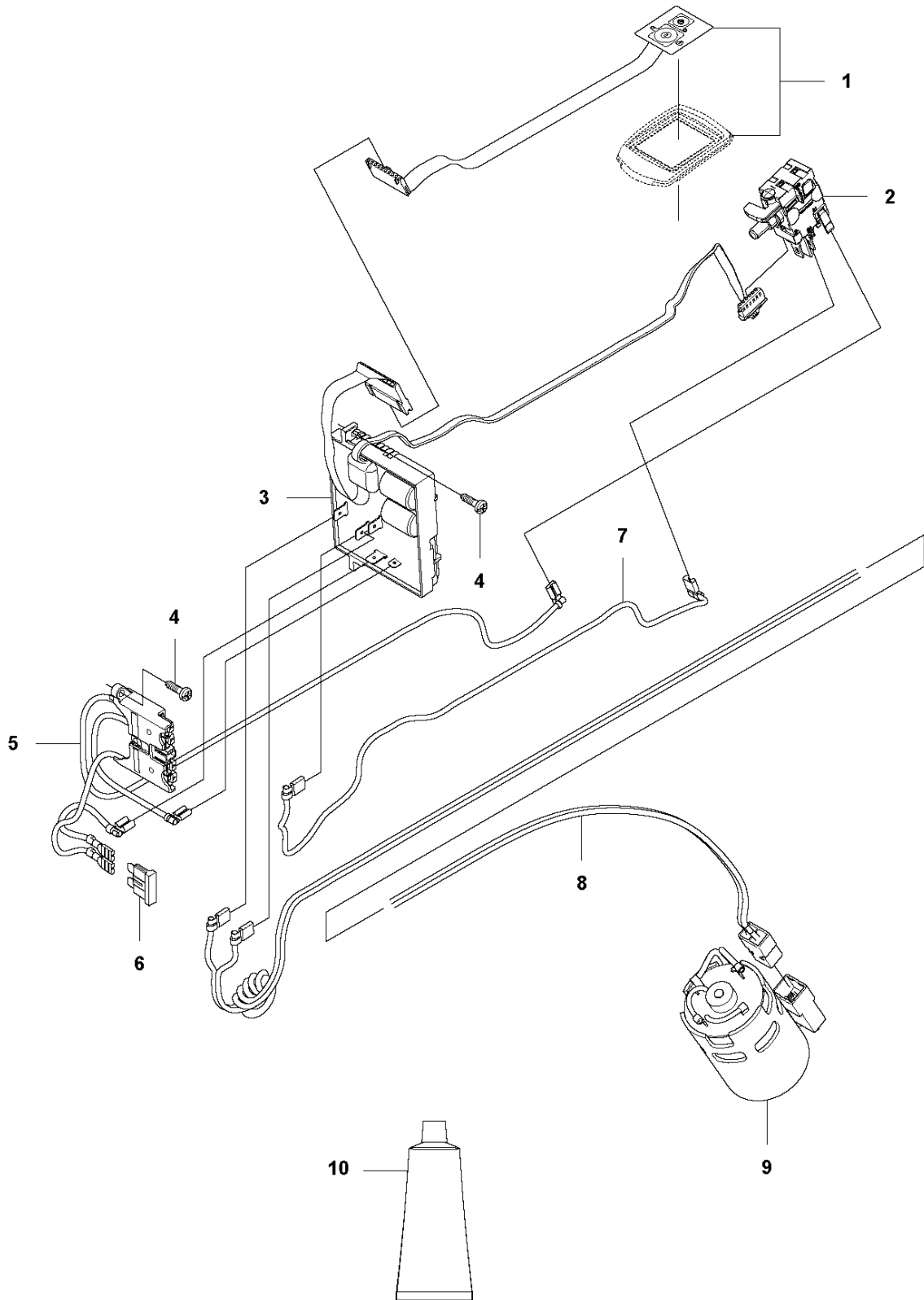


CUTTING EQUIPMENT

336 LiC

Ref	Part No	Description	Remark	QTY	KIT
1	577 42 62-01	MOTOR COVER		1	
2	579 21 19-01	SCREW IH SCT		4	
3	577 96 51-01	TRIMMER GUARD		1	
4	574 52 34-01	KNIFE		1	3
5	503 21 07-16	SCREW IH SCT		2	3
6	577 72 75-01	INSULATION WALL		1	
7	501 69 39-01	MOTOR HOUSING		1	
11	731 23 14-01	HEXAGON NUT		1	8
12	503 20 07-82	SCREW IH SCFM		1	
13	577 98 95-01	BLADE SHAFT		1	
14	578 07 02-01	BELT		1	
15	577 42 60-01	COVER		1	
16	503 21 68-16	SCREW IH SCT		5	
18	578 78 93-01	NUT		1	

E 336 LiC
ELECTRIC

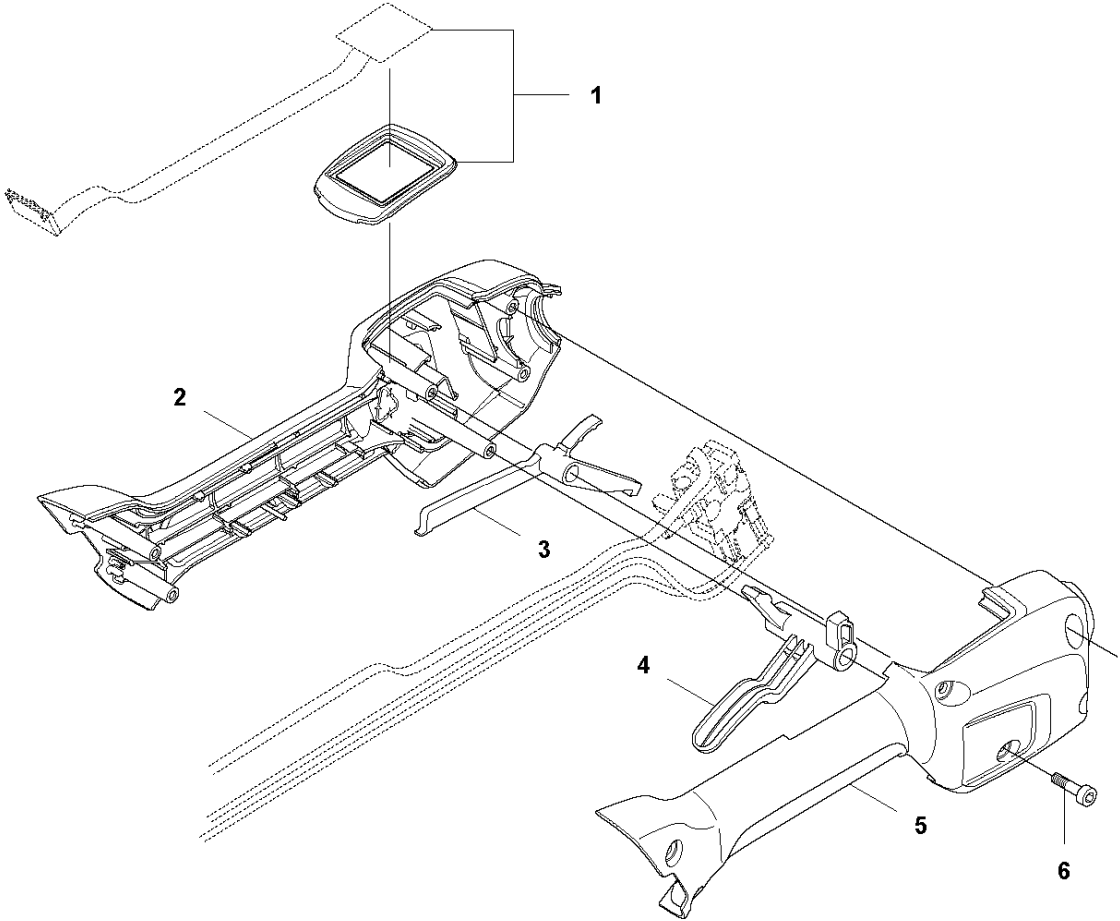


ELECTRICAL

336 LiC

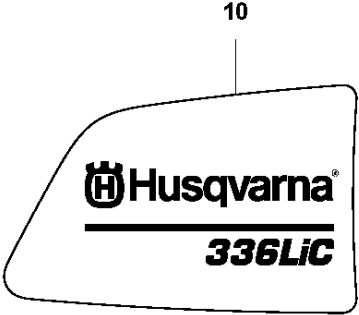
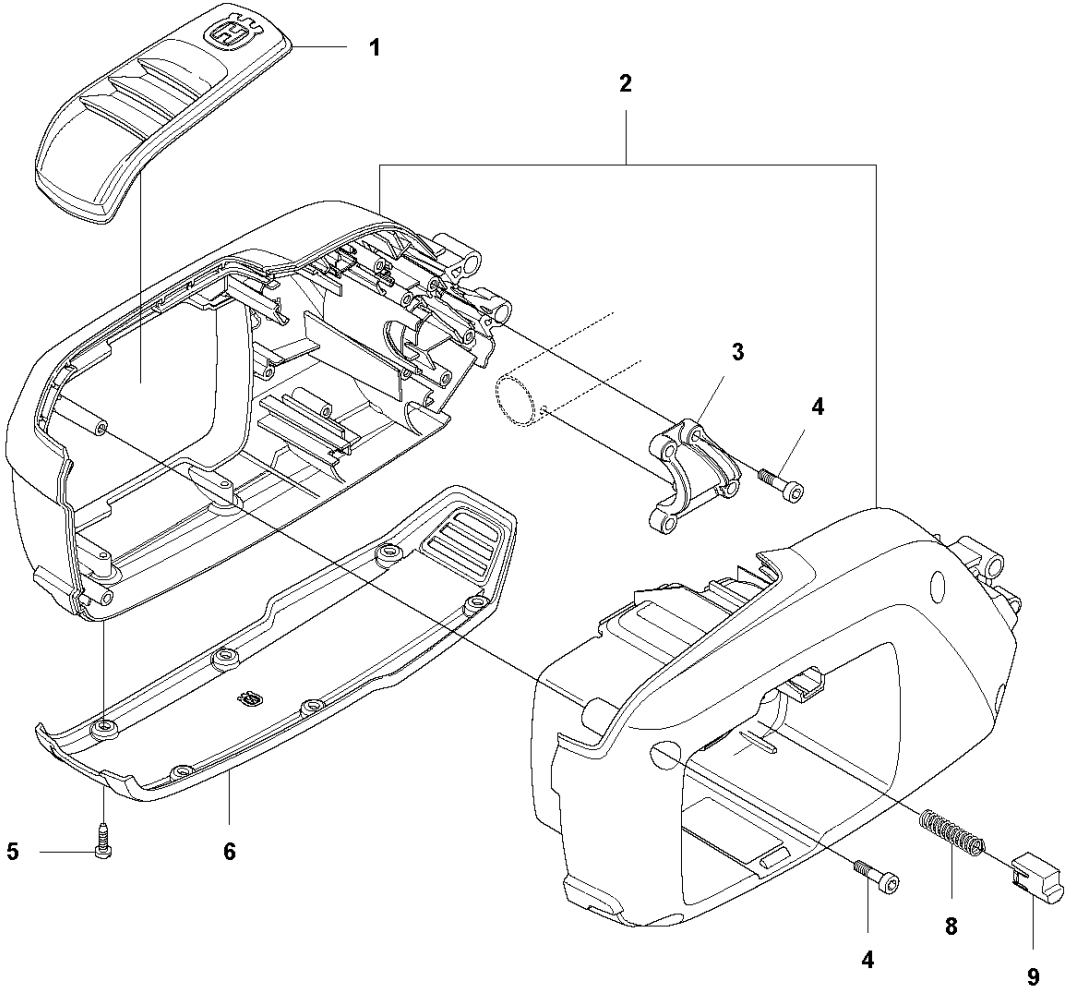
Ref	Part No	Description	Remark	QTY KIT
1	579 70 56-01	KEYPAD		1
2	578 32 69-01	TRIGGER SWITCH		1
3	578 10 45-01	DC-MOTOR CONTROLLER ASSY		1
4	503 21 28-13	SCREW CCRPANT		4
5	578 36 78-01	WIRING ASSY		1
6	579 31 68-01	FUSE		1
7	577 40 59-01	WIRING ASSY		1
8	578 11 46-01	WIRING ASSY		1
9	579 70 54-01	MOTOR		1
10	588 17 64-01	GREASE	SB-B1500023	1

C 336 LiC
HANDLE



Ref	Part No	Description	Remark	QTY KIT
1	579 70 56-01	KEYPAD		1
2	577 01 31-01	HANDLE HALF		1
3	577 51 23-01	THROTTLE LOCKOUT		1
4	577 01 81-01	TRIGGER		1
5	577 01 32-01	HANDLE HALF		1
6	579 21 19-01	SCREW IHST		6

D1 336 LiC: S/N → 201610xxxx
BATTERY HOUSING

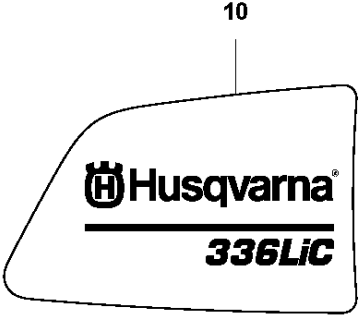
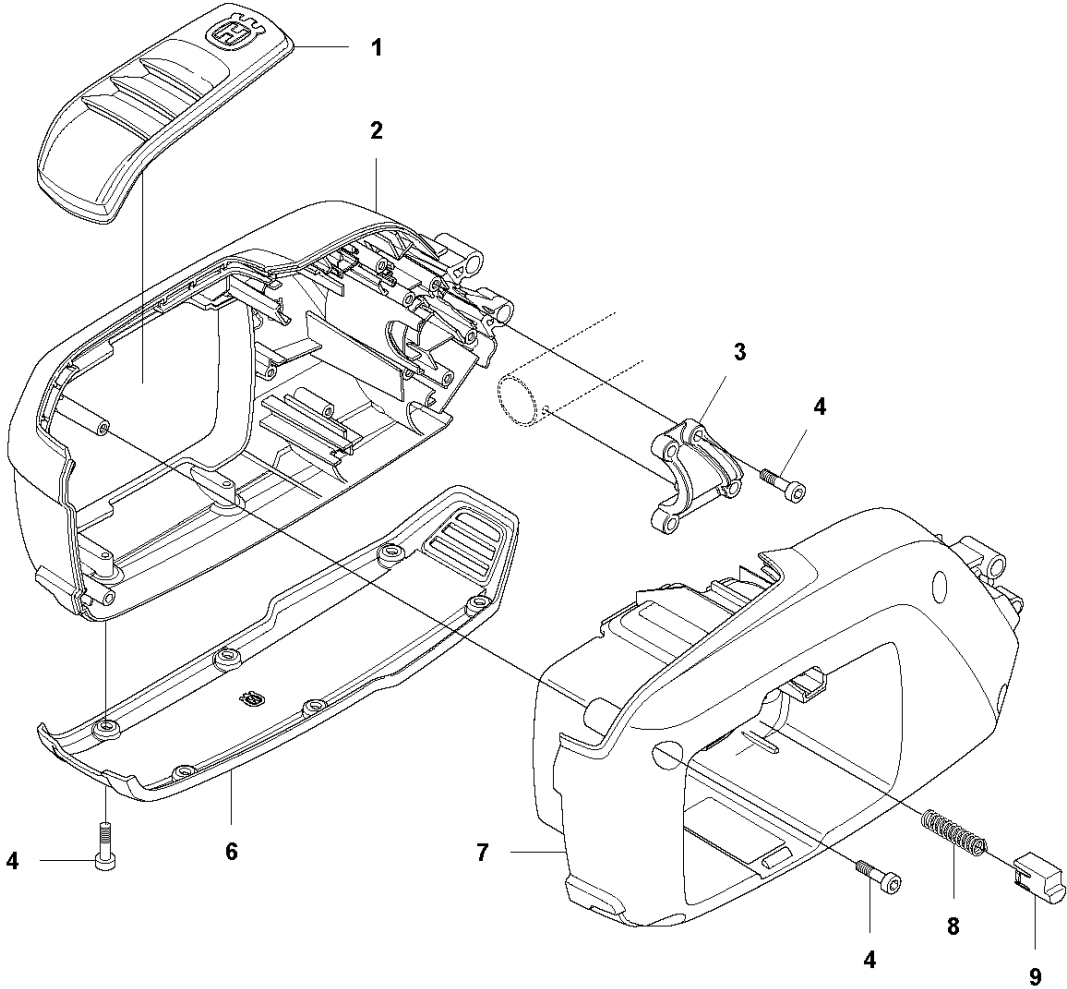


HOUSING

336 LiC

Ref	Part No	Description	Remark	QTY KIT
1	577 01 41-01	COVER		1
2	582 70 14-01	HOUSING		1
3	577 02 22-01	CLAMP		1
4	579 21 19-01	SCREW IHSCT		8
5	503 21 28-13	SCREW CCRPANT		6
6	577 01 42-01	SKID PLATE		1
8	585 48 00-01	SPRING		1
9	577 99 66-01	PUSH BUTTON		1
10	579 00 62-06	DECAL		1

D2 336 LiC: S/N 201610xxxx →
BATTERY HOUSING

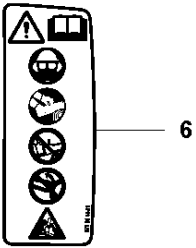
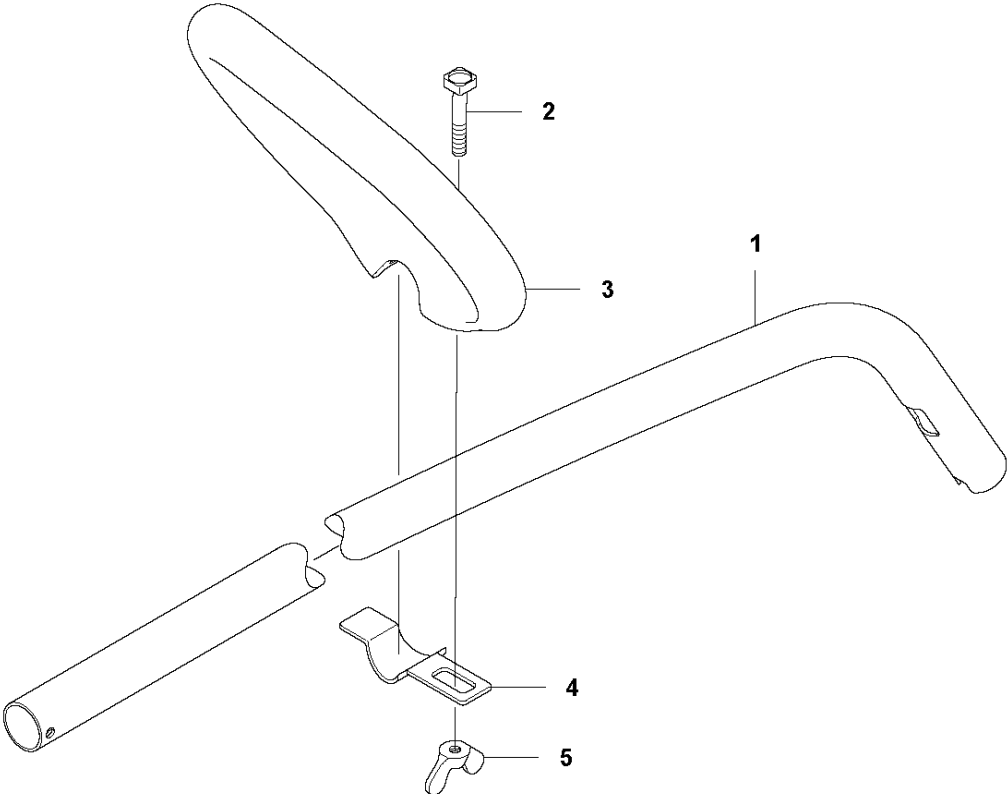


HOUSING

336 LiC

Ref	Part No	Description	Remark	QTY KIT
1	577 01 41-01	COVER		1
2	577 00 76-03	HOUSING		1
3	577 02 22-01	CLAMP		1
4	579 21 19-01	SCREW IHSCT		14
6	588 91 98-01	SKID PLATE		1
7	577 01 30-02	HOUSING		1
8	585 48 00-01	SPRING		1
9	577 99 66-01	PUSH BUTTON		1
10	579 00 62-06	DECAL		1

B 336 LiC
TUBE



Ref	Part No	Description	Remark	QTY KIT
1	588 80 27-02	TUBE		1
2	503 21 98-35	SCREW		1
3	537 07 68-01	HANDLE		1
4	537 04 25-01	ATTACHMENT PLATE		1
5	503 22 26-01	NUT		1
6	577 84 43-01	DECAL		1