

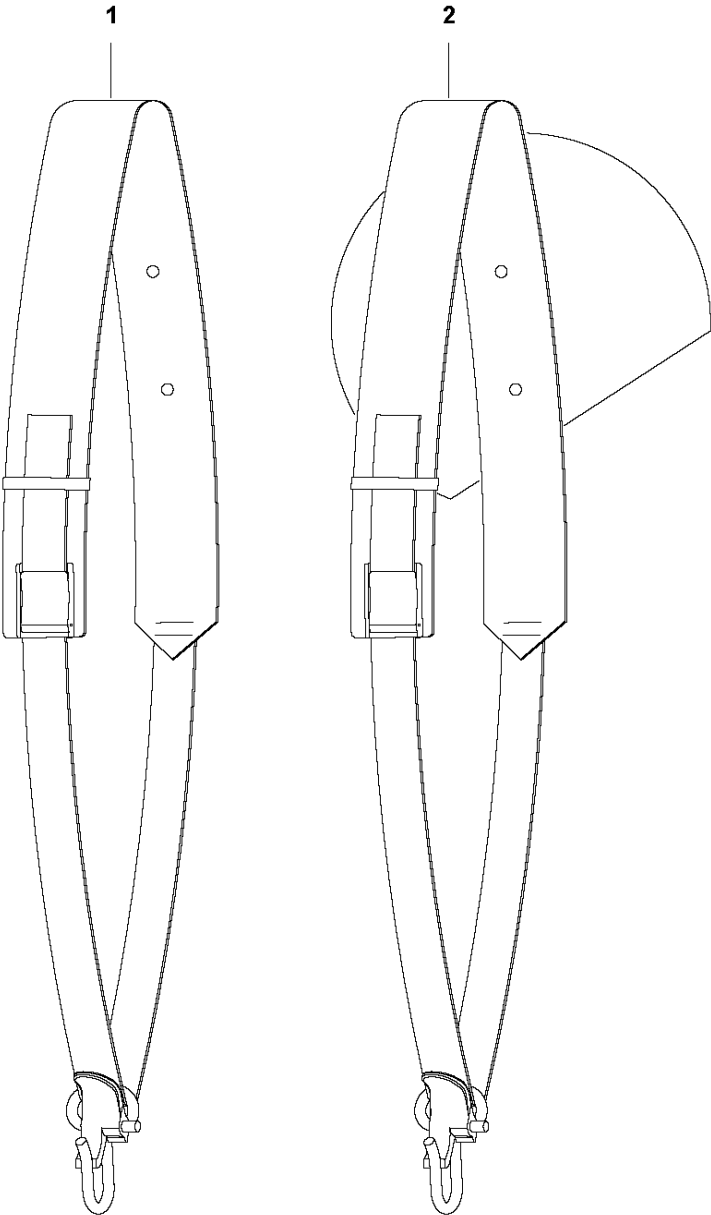


SPARE PARTS LIST

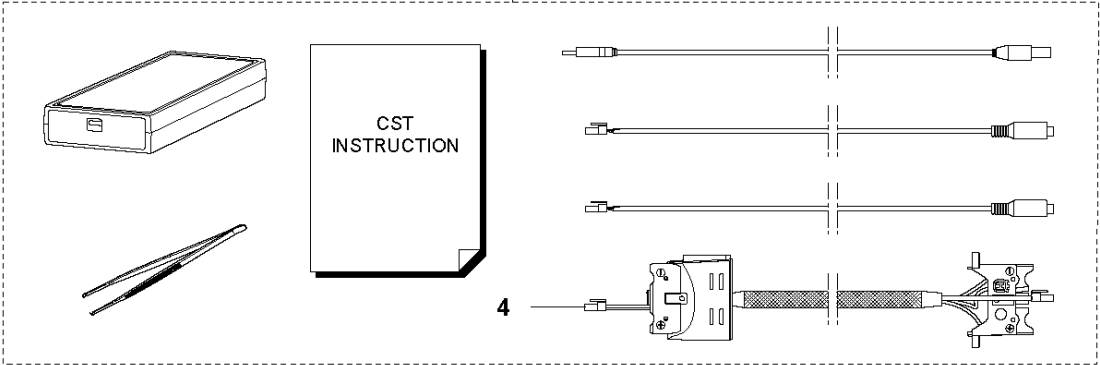
HEDGE TRIMMERS/POLE HEDGE
TRIMMERS

536LiHE3, 2016-09

F 536LiHE3
ACCESSORIES



3

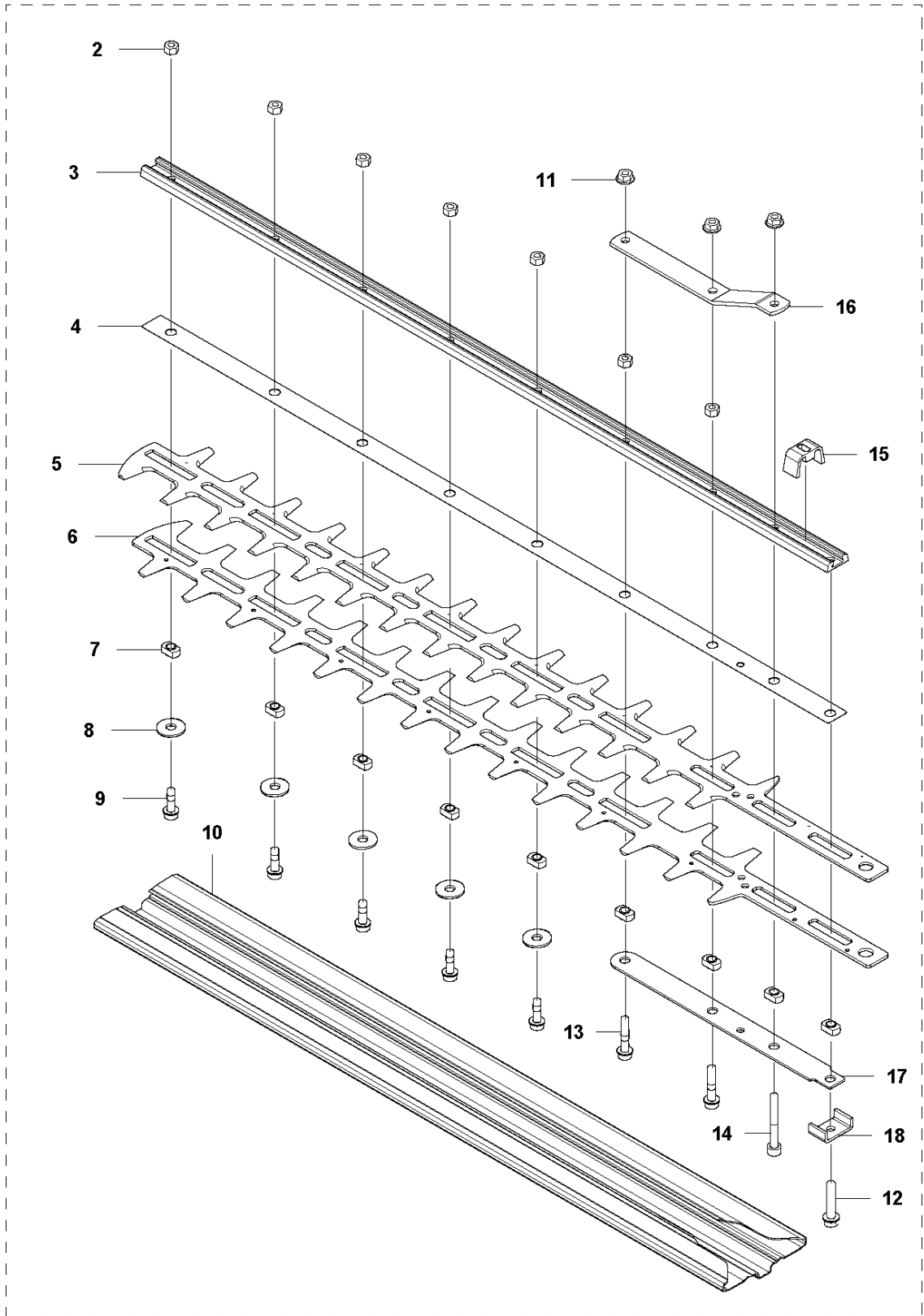


ACCESSORIES

536LiHE3, 2016-09

| Ref | Part No | Description | Remark | QTY | KIT |
|-----|--------------|---------------------|--------|-----|-----|
| 1 | 537 21 62-01 | HARNES | | 1 | |
| 2 | 537 21 62-02 | HARNES | | 1 | |
| 3 | 583 89 71-01 | DIAGNOSTIC TOOL KIT | | 1 | |
| 4 | 579 62 13-01 | WIRING ASSY | | 1 | 3 |

A 536LiHE3
CUTTING

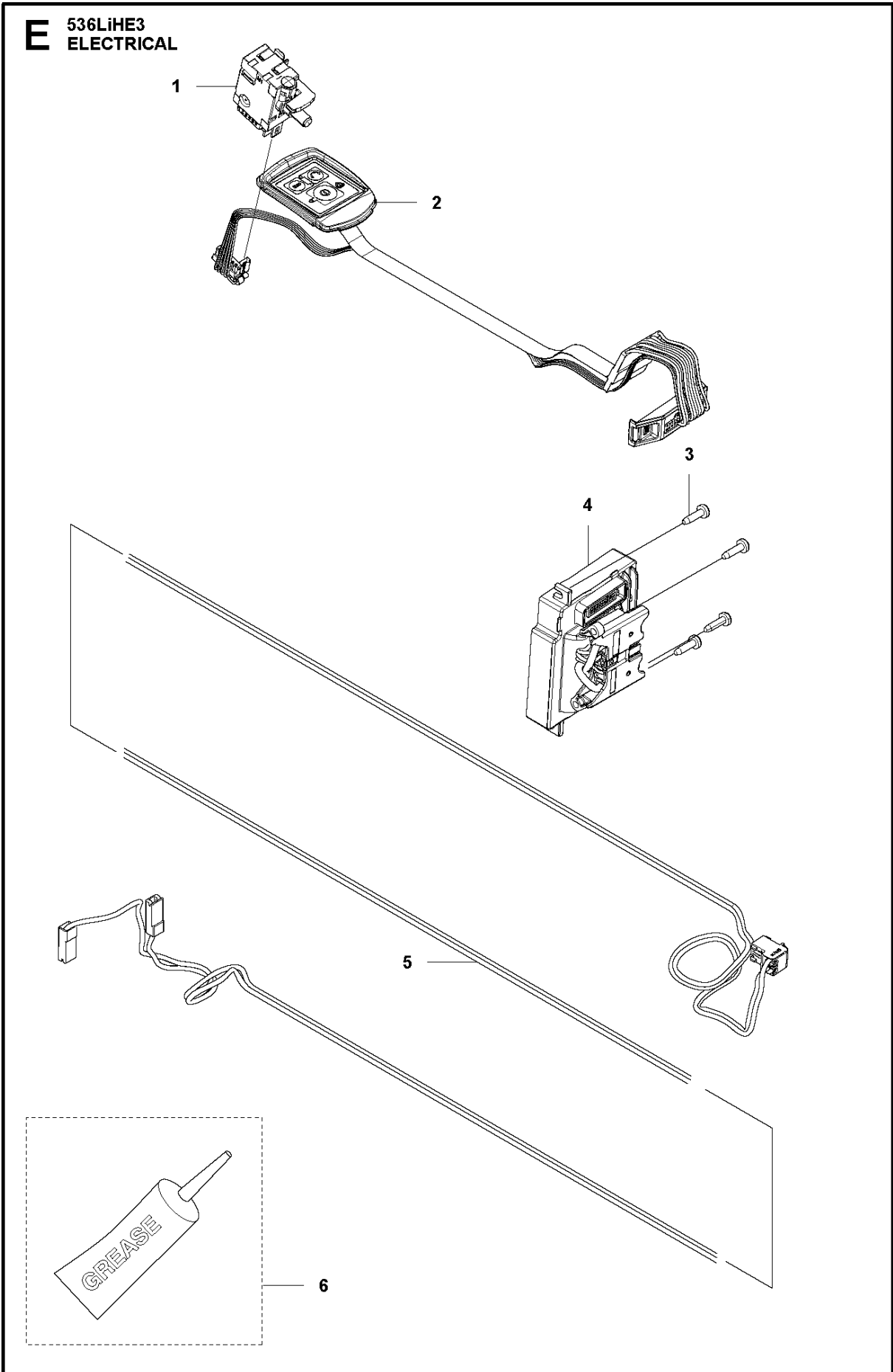


CUTTING EQUIPMENT

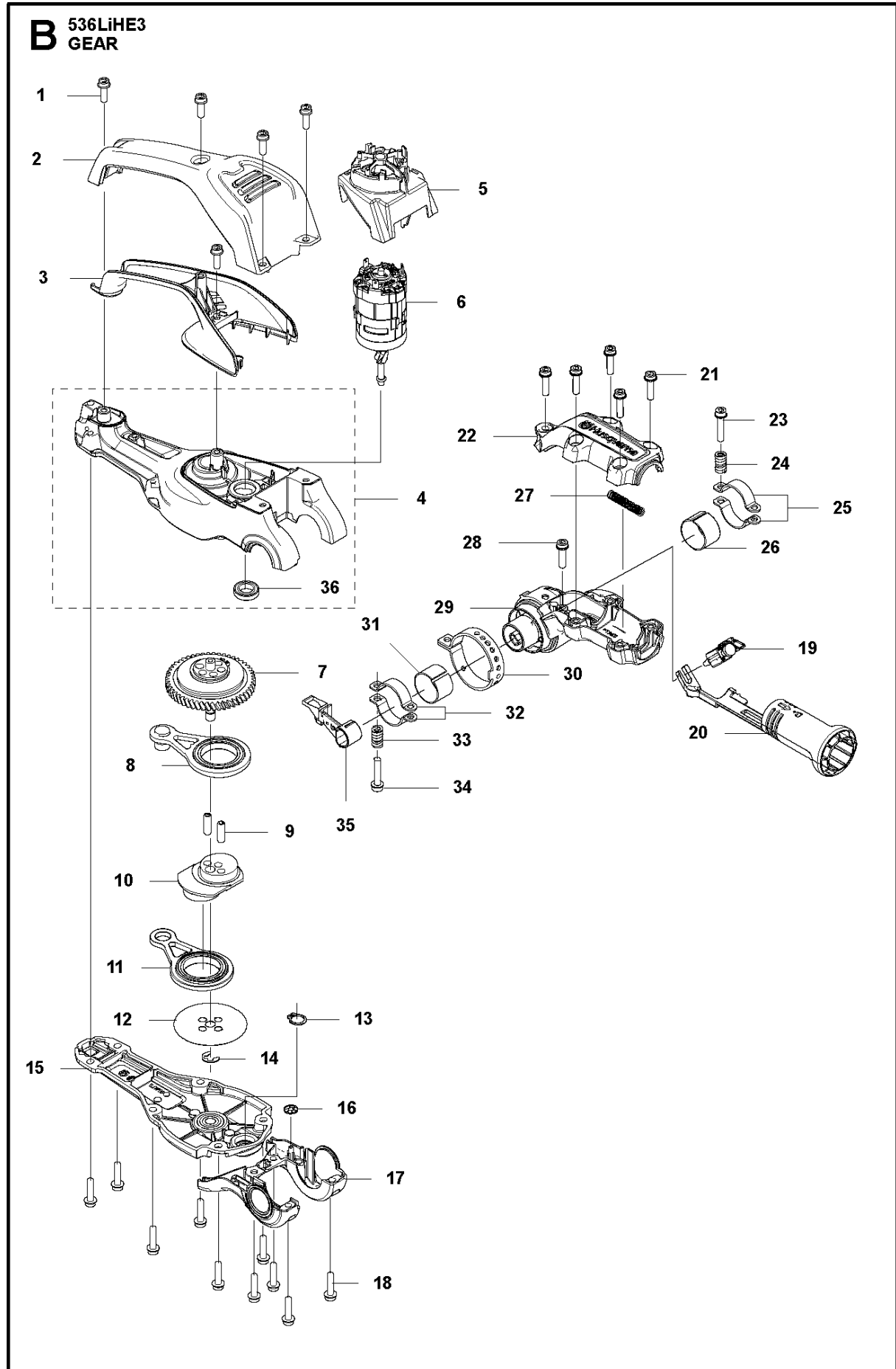
536LiHE3, 2016-09

| Ref | Part No | Description | Remark | QTY | KIT |
|-----|--------------|-----------------|--------|-----|-----|
| 1 | 582 19 29-01 | CUTTING DECK | | 1 | |
| 2 | 579 63 31-01 | HEXAGON NUT | | 7 | 1 |
| 3 | 579 69 38-01 | BAR | | 1 | 1 |
| 4 | 579 69 37-01 | WEAR PLATE | | 1 | 1 |
| 5 | 582 19 26-01 | BLADE | | 1 | 1 |
| 6 | 582 19 26-01 | BLADE | | 1 | 1 |
| 7 | 582 19 27-01 | SPACER | | 9 | 1 |
| 8 | 503 23 00-24 | WASHER | | 5 | 1 |
| 9 | 584 15 22-01 | SCREW IHSCFM | | 5 | 1 |
| 10 | 579 69 42-01 | TRANSPORT GUARD | | 1 | 1 |
| 11 | 503 22 00-09 | HEXAGON NUT | | 3 | |
| 12 | 503 20 07-78 | SCREW IHSCFM | | 1 | 1 |
| 13 | 584 15 22-02 | SCREW IHSCFM | | 2 | 1 |
| 14 | 503 20 02-40 | SCREW IHSCFM | | 1 | 1 |
| 15 | 578 37 22-01 | GASKET | | 1 | 1 |
| 16 | 580 93 15-01 | SUPPORT | | 1 | 1 |
| 17 | 579 69 40-01 | BAR | | 1 | 1 |
| 18 | 582 19 28-01 | BRACKET | | 1 | |

E 536LiHE3
ELECTRICAL



| Ref | Part No | Description | Remark | QTY KIT |
|-----|--------------|----------------|--------|---------|
| 1 | 578 32 69-01 | TRIGGER SWITCH | | 1 |
| 2 | 582 18 88-01 | WIRING ASSY | | 1 |
| 3 | 503 21 28-13 | SCREW CCRPANT | | 4 |
| 4 | 582 05 41-01 | CONTROL UNIT | | 1 |
| 5 | 582 18 89-01 | WIRING ASSY | | 1 |
| 6 | 588 17 64-01 | GREASE | | 1 |

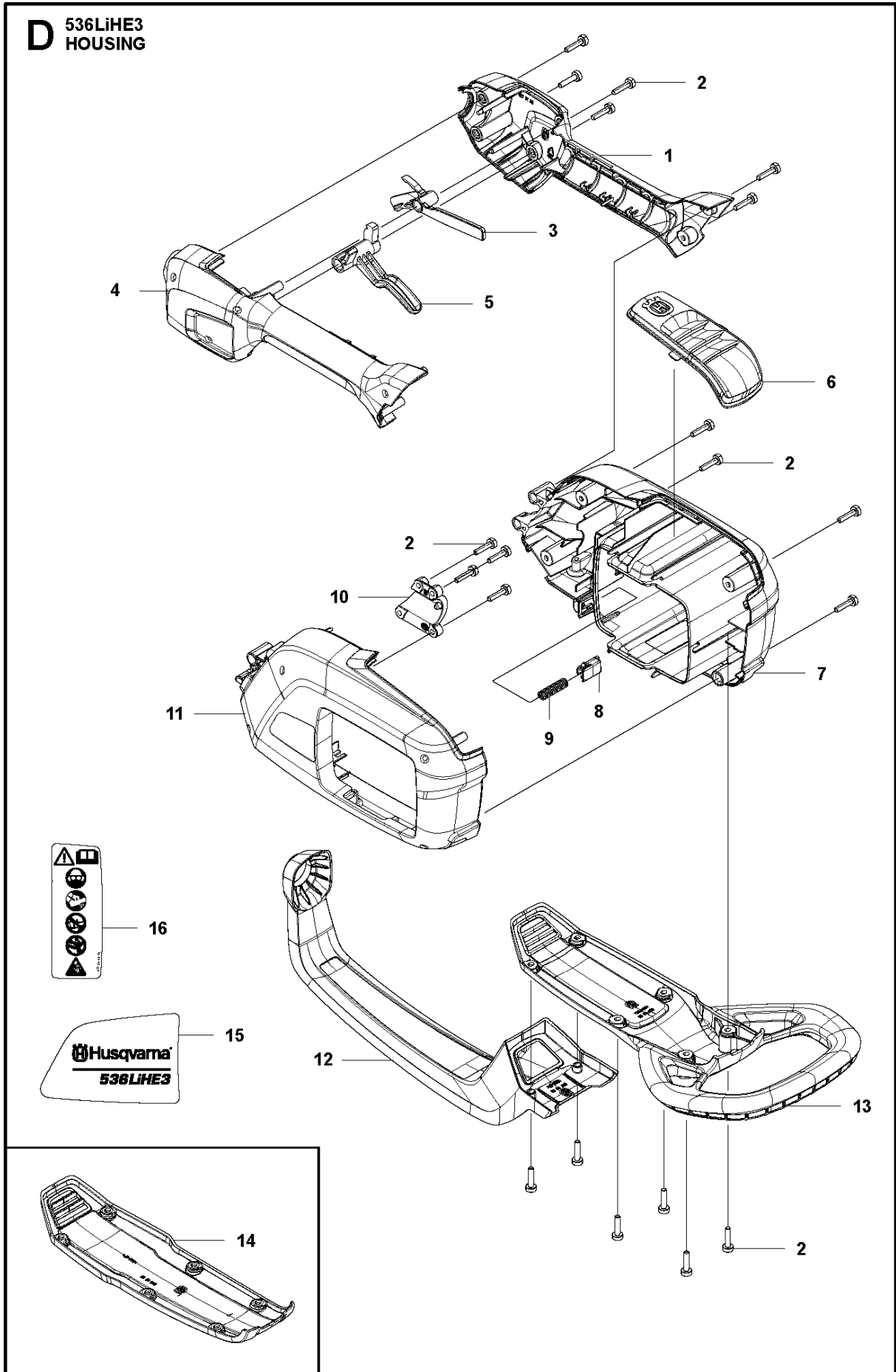


GEAR HOUSING

536LiHE3, 2016-09

| Ref | Part No | Description | Remark | QTY | KIT |
|-----|--------------|----------------------|--------|-----|-----|
| 1 | 503 21 75-72 | SCREW IHSCFT | | 5 | |
| 2 | 588 22 48-01 | MOTOR COVER | | 1 | |
| 3 | 588 22 49-01 | MOTOR COVER | | 1 | |
| 4 | 588 56 44-03 | GEAR HOUSING ASSY | | 1 | |
| 5 | 582 34 14-01 | AIR CONDUCTOR | | 1 | |
| 6 | 588 22 58-01 | MOTOR ASSY | | 1 | |
| 7 | 588 22 38-01 | GEAR ASSY | | 1 | |
| 8 | 577 82 93-02 | CONNECTING ROD ASSY | | 1 | |
| 9 | 578 00 27-01 | HEAVY DUTY DOWEL PIN | | 2 | |
| 10 | 501 70 71-01 | ECCENTRIC DISC | | 1 | |
| 11 | 577 82 93-02 | CONNECTING ROD ASSY | | 1 | |
| 12 | 522 71 46-01 | DISC | | 1 | |
| 13 | 735 31 14-00 | CIRCLIP | | 1 | |
| 14 | 578 05 49-01 | LOCKWASHER | | 1 | |
| 15 | 588 57 00-01 | COVER ASSY | | 1 | |
| 16 | 735 58 30-00 | WASHER | | 1 | |
| 17 | 588 21 79-01 | BEARING CAP | | 1 | |
| 18 | 503 21 68-72 | SCREW IHSCFT | | 10 | |
| 19 | 588 21 59-01 | LOCKING PIN | | 1 | |
| 20 | 588 21 50-01 | HANDLE GRIP | | 1 | |
| 21 | 503 21 68-72 | SCREW IHSCFT | | 5 | |
| 22 | 588 21 54-01 | LID | | 1 | |
| 23 | 503 20 03-25 | SCREW IHSCFM | | 1 | |
| 24 | 588 21 78-01 | BRAKE BAND | | 1 | |
| 25 | 588 47 49-01 | BRAKE BAND ASSY | | 1 | |
| 26 | 588 21 75-01 | SLIDE RING | | 1 | |
| 27 | 582 53 71-01 | COMPRESSION SPRING | | 1 | |
| 28 | 503 21 68-72 | SCREW IHSCFT | | 5 | |
| 29 | 588 21 55-01 | HOUSING | | 1 | |
| 30 | 588 21 63-01 | RING | | 1 | |
| 31 | 588 21 75-01 | SLIDE RING | | 1 | |
| 32 | 588 47 49-01 | BRAKE BAND ASSY | | 1 | |
| 33 | 588 21 78-01 | BRAKE BAND | | 1 | |
| 34 | 503 20 03-25 | SCREW IHSCFM | | 1 | |
| 35 | 588 21 92-01 | LEVER | | 1 | |
| 36 | 593 20 98-01 | BALL BEARING | | 1 | 4 |

D 536LiHE3
HOUSING

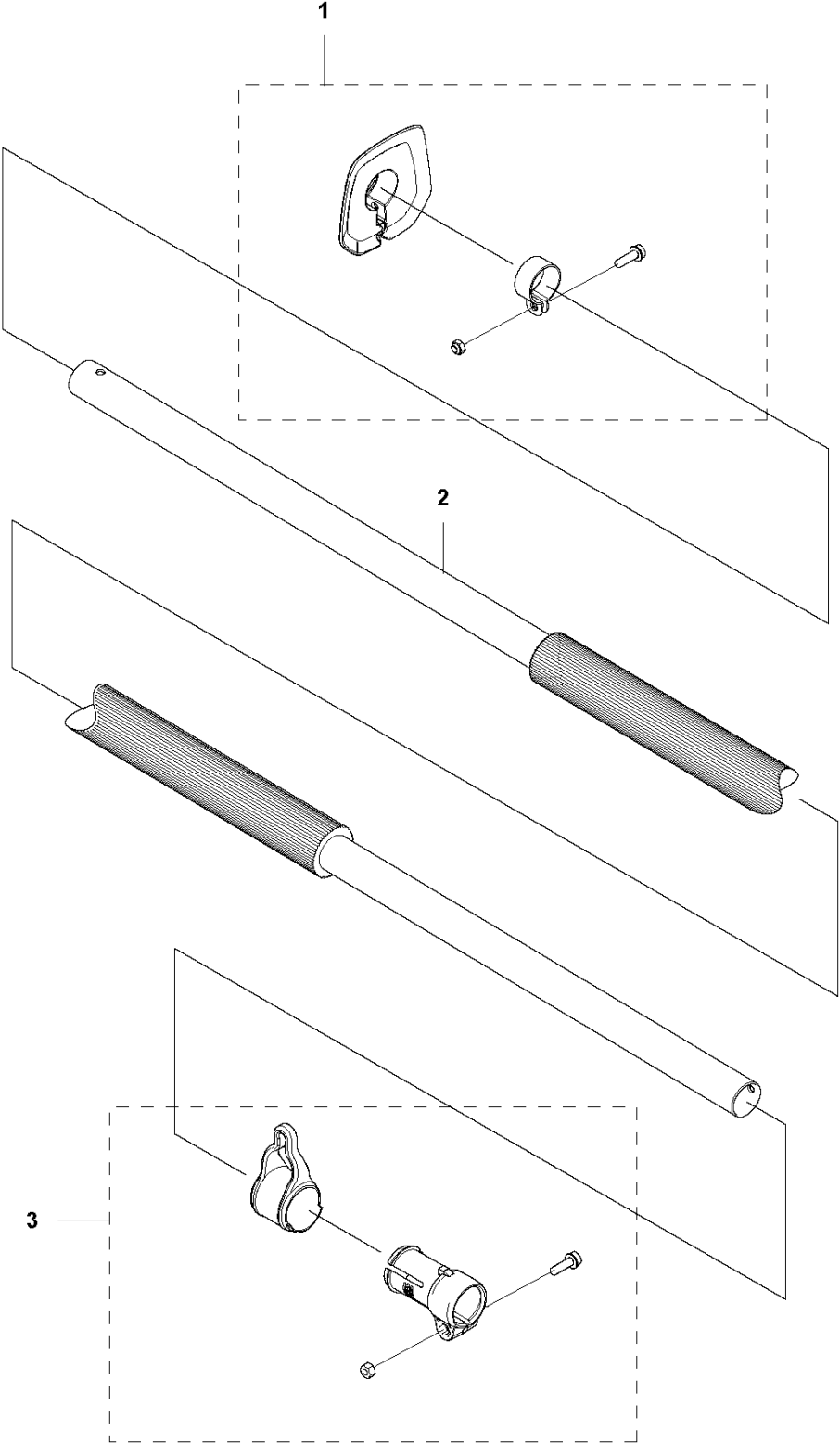


HOUSING

536LiHE3, 2016-09

| Ref | Part No | Description | Remark | QTY KIT |
|-----|--------------|------------------|--------|---------|
| 1 | 577 01 32-02 | HANDLE HALF | | 1 |
| 2 | 579 21 19-01 | SCREW IHST | | 20 |
| 3 | 577 51 23-01 | THROTTLE LOCKOUT | | 1 |
| 4 | 577 01 31-01 | HANDLE HALF | | 1 |
| 5 | 577 01 81-01 | TRIGGER | | 1 |
| 6 | 577 01 41-01 | COVER | | 1 |
| 7 | 577 01 30-02 | HOUSING | | 1 |
| 8 | 577 99 66-01 | PUSH BUTTON | | 1 |
| 9 | 585 48 00-01 | SPRING | | 1 |
| 10 | 577 02 22-01 | CLAMP | | 1 |
| 11 | 577 00 76-03 | HOUSING | | 1 |
| 12 | 587 34 60-01 | TRIGGER | | 1 |
| 13 | 587 34 58-01 | BUMPER | | 1 |
| 14 | 588 91 98-01 | SKID PLATE | | 1 |
| 15 | 588 60 28-04 | DECAL | | 1 |
| 16 | 577 84 43-01 | DECAL | | 1 |

C 536LiHE3
TUBE



TUBE

536LiHE3, 2016-09

| Ref | Part No | Description | Remark | QTY KIT |
|-----|--------------|-----------------|--------|---------|
| 1 | 579 48 86-01 | HAND GUARD ASSY | | 1 |
| 2 | 588 69 90-01 | TUBE ASSY | | 1 |
| 3 | 522 92 08-02 | CORD BRACKET | | 1 |