

Operator's manual

Руководство по эксплуатации Посібник користувача

EAC

TF230

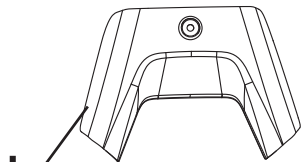
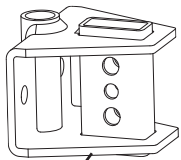
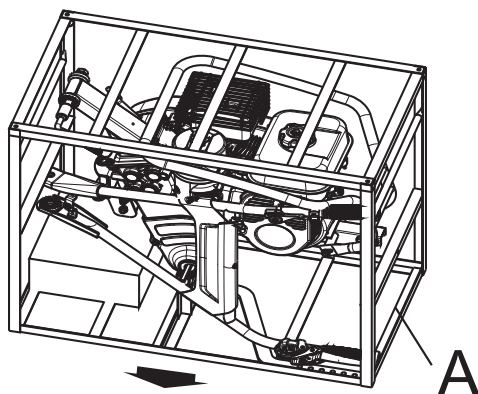
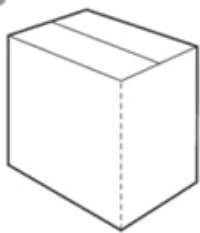


Please read the operator's manual carefully and make sure you understand the instructions before using the machine.

Прежде чем приступить к работе с машиной внимательно прочитайте инструкцию и убедитесь, что Вам все понятно.

Перед користуванням інструментом уважно прочитайте посібник користувача та переконайтеся, що Ви зрозуміли всі вказівки.

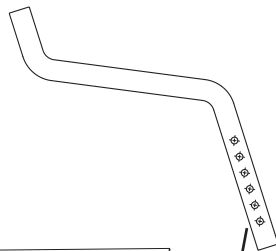
GB RU UA



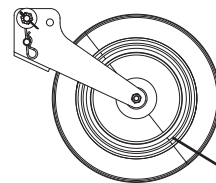
K

L

G

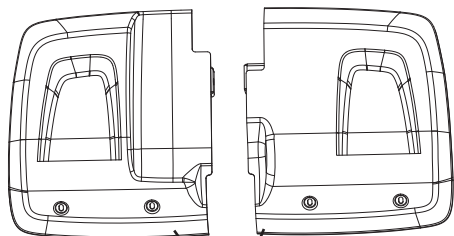


E



A

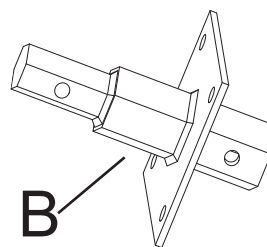
D



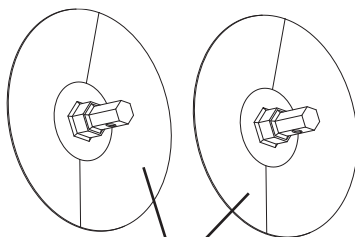
F



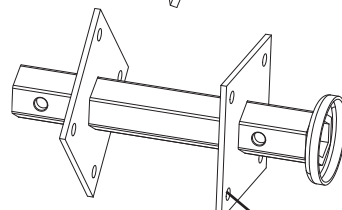
H



B

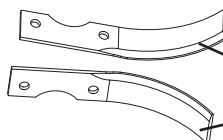


J











C

N

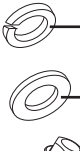


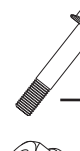
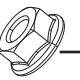


I

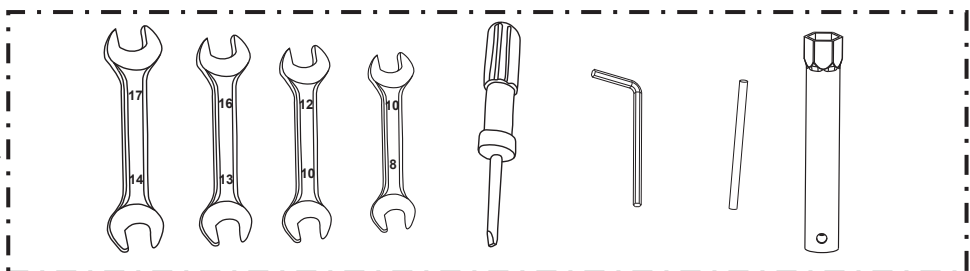
O

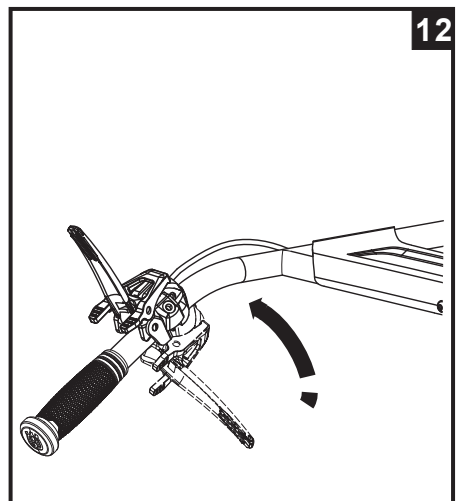
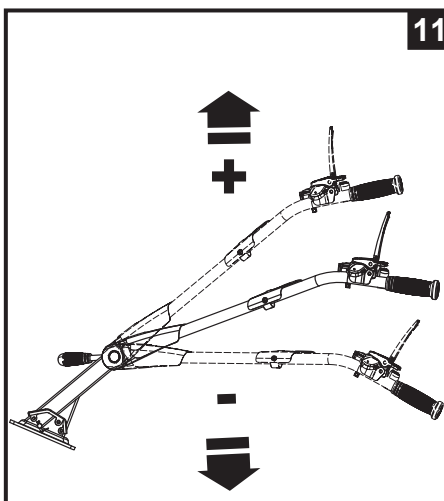
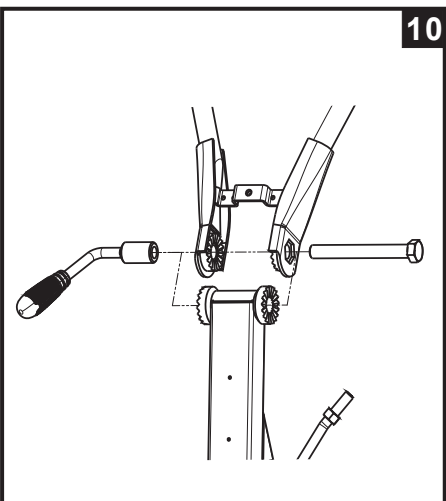
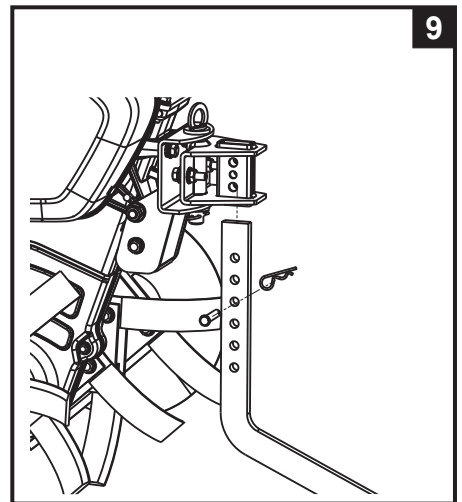
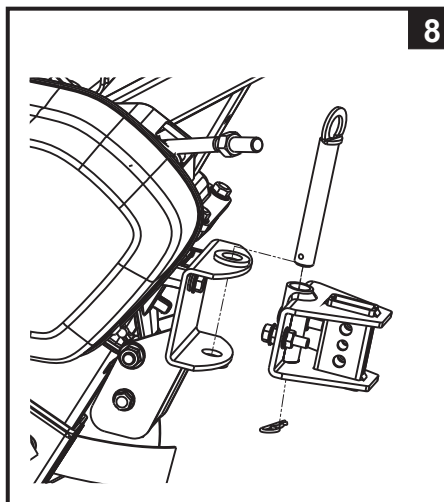
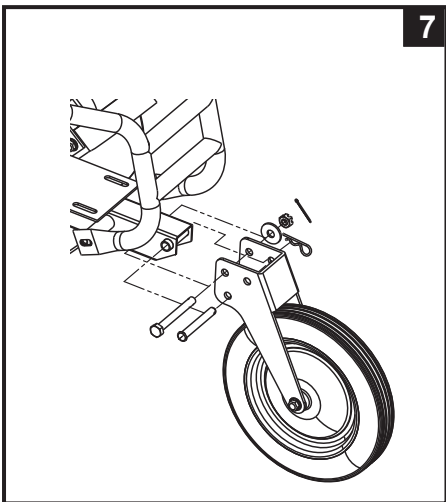
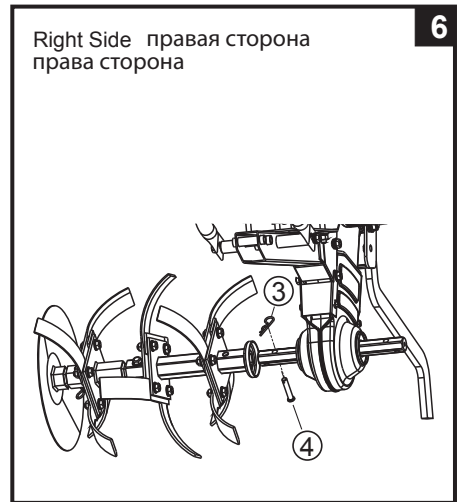
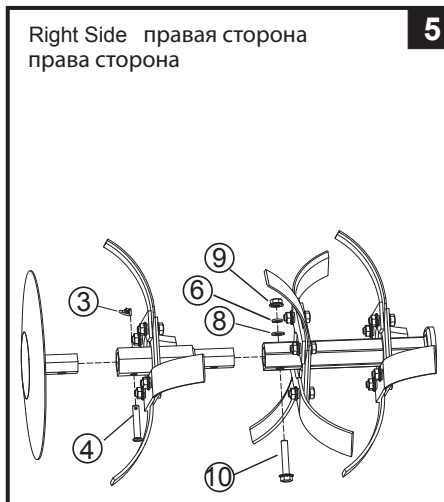
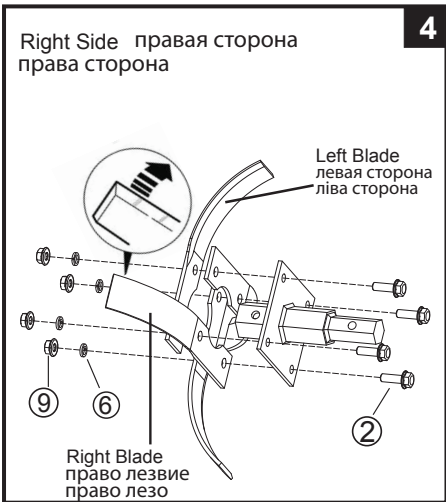
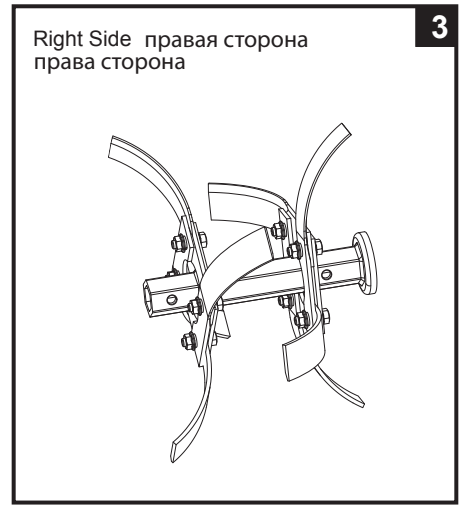
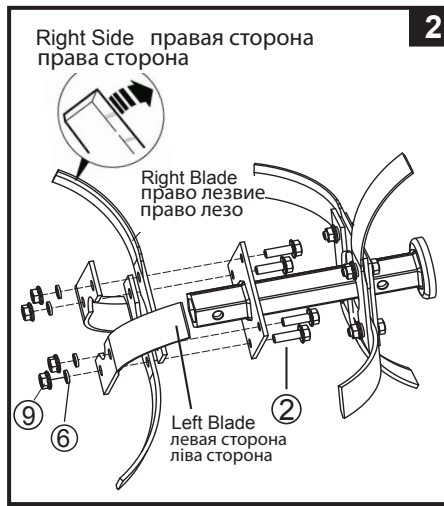
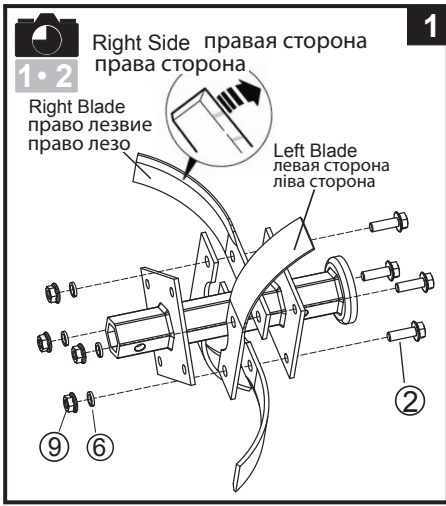
-  ① X5
-  ② X4
-  ③ X4
-  ④ X4
-  ⑤ X9
-  ⑥ X4
-  ⑦ X4
-  ⑧ X4

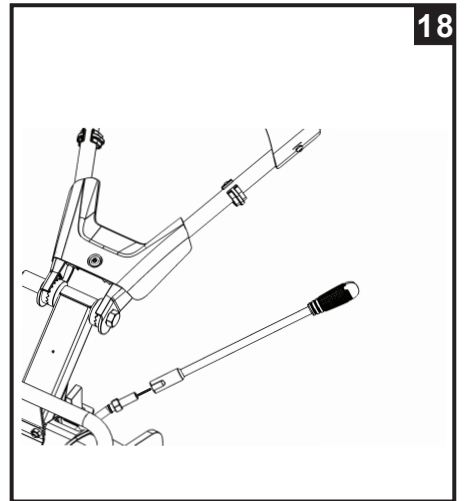
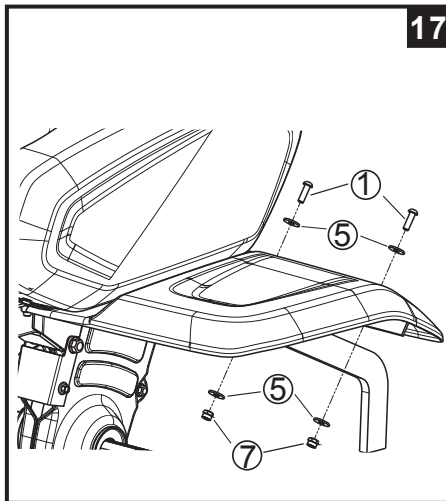
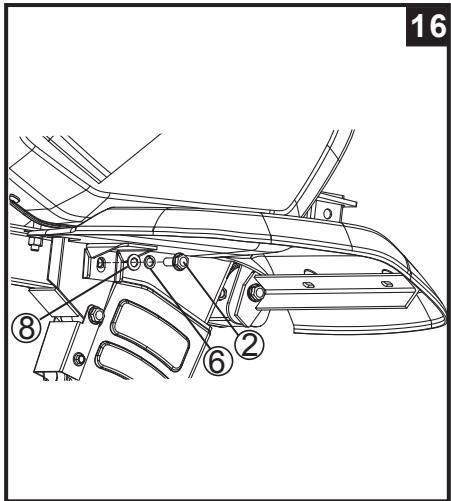
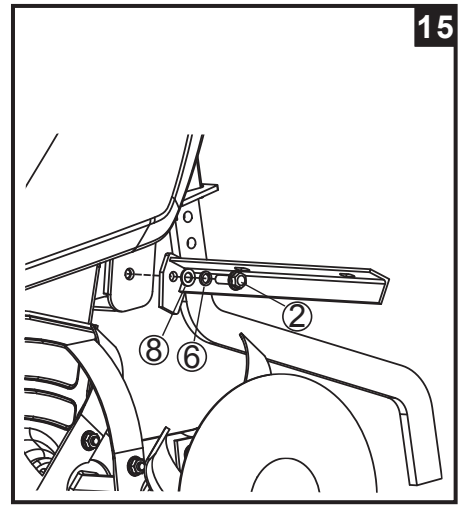
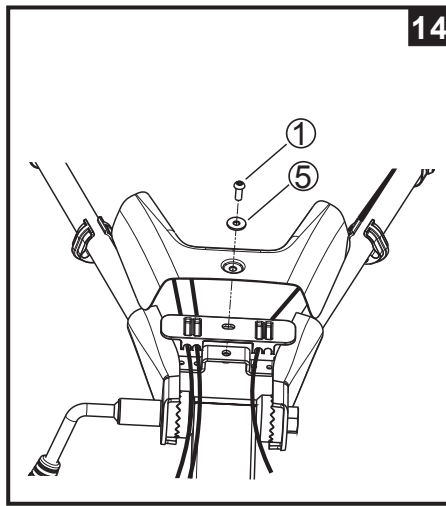
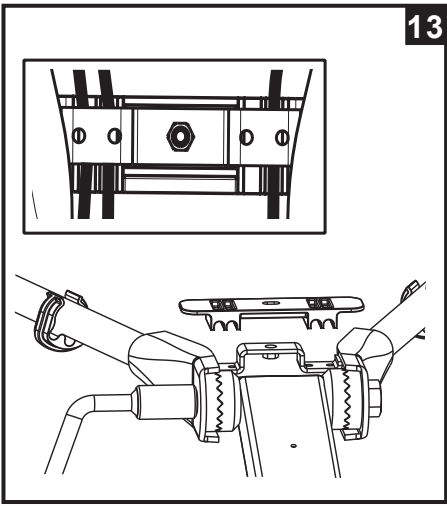
For tines only
только для ножей
тільки для ножів

-  ⑥ X26
-  ⑧ X2
-  ② X24
-  ⑩ X2
-  ⑨ X26

M

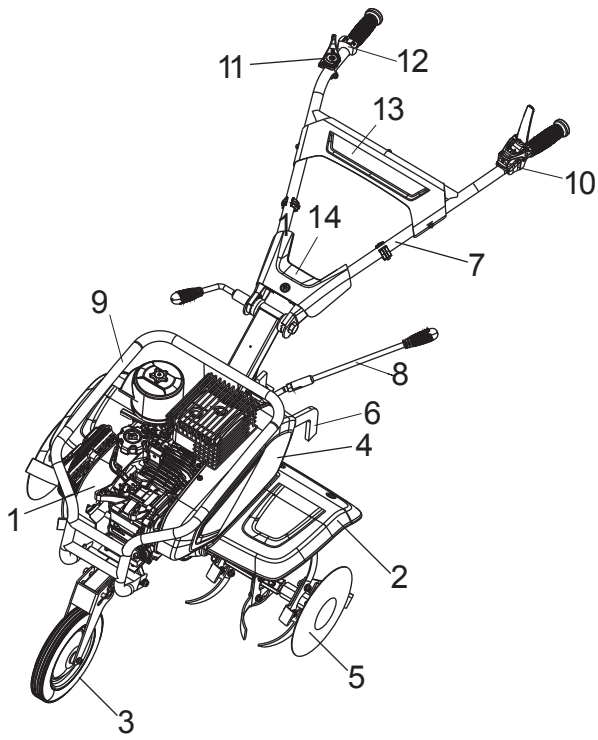








1•3

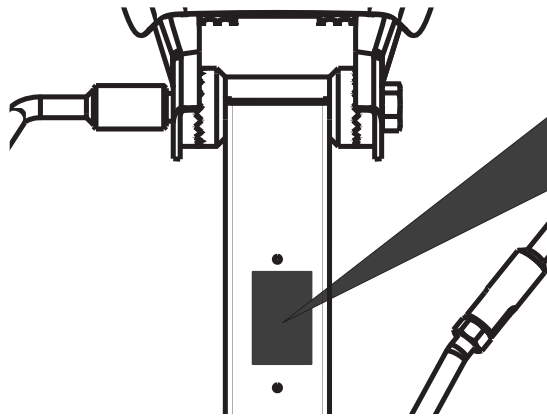


1•4

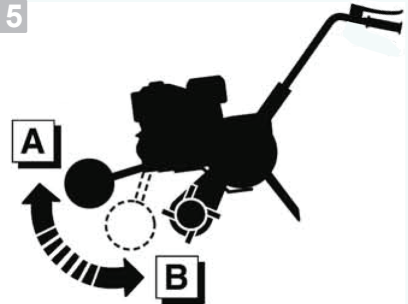
Husqvarna® Prod. year

Serial No	<input type="text"/>
Article no.	<input type="text"/>
Model	<input type="text"/>
Tilling scope	<input type="text"/>
Tilling depth	<input type="text"/>
Gear shifting	<input type="text"/>
Engine displacement	<input type="text"/>
Engine oil quality	<input type="text"/>
Engine oil capacity	<input type="text"/>
Gear box oil quality	<input type="text"/>
Gear box oil capacity	<input type="text"/>
Nominal power	<input type="text"/>
Net weight	<input type="text"/>
Fuel (octan/cetan)	<input type="text"/>

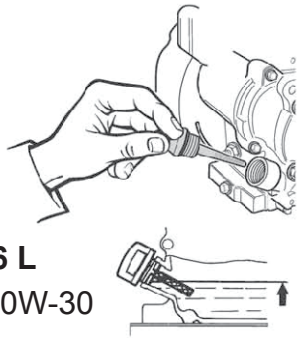
HUSQVARNA AB
SE-561 82 HUSKVARNA
SWEDEN



1•5

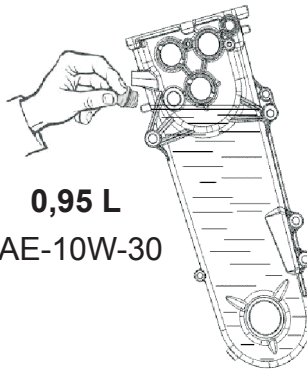


2•1



0,6 L
SAE-10W-30

2•2



0,95 L
SAE-10W-30

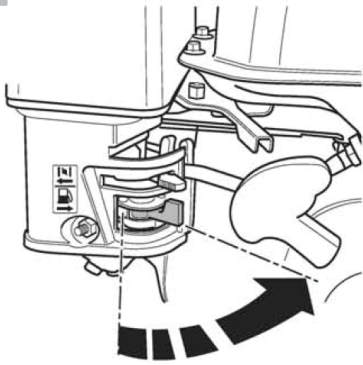
2•3

Recommend to USE
Octane Value over 90

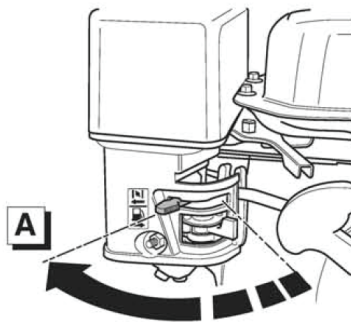
3,6 L



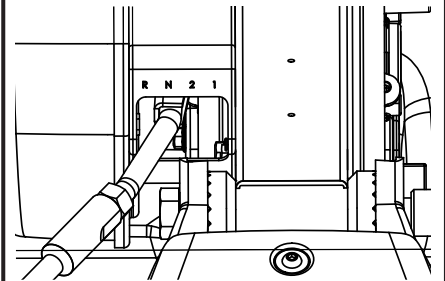
2•4



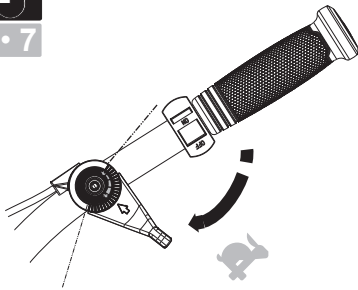
2•5



2•6

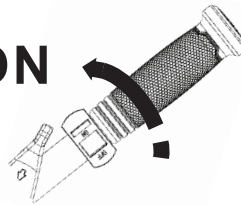


2•7

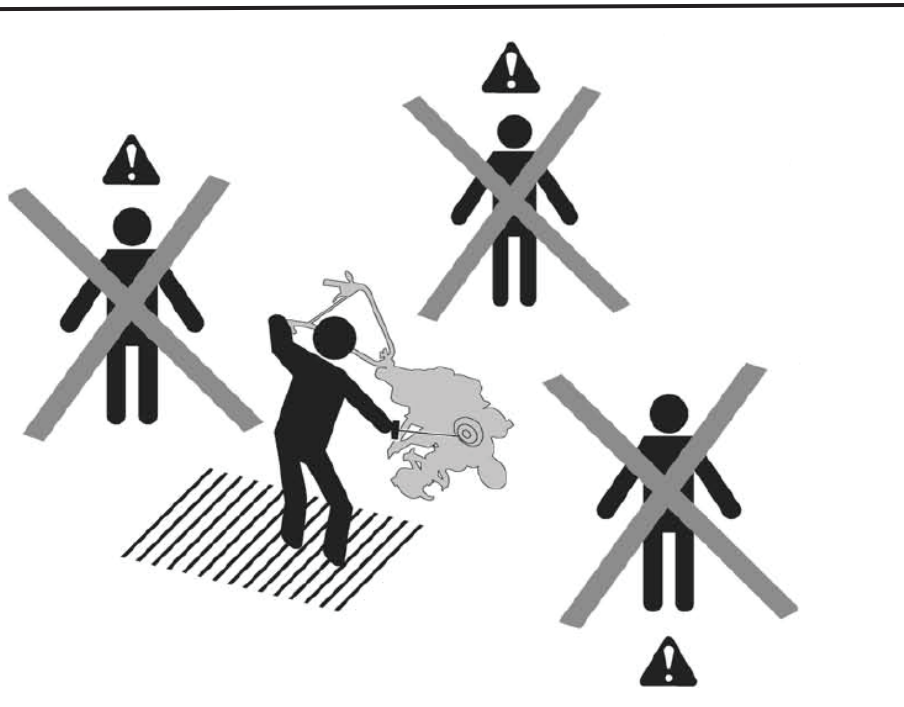
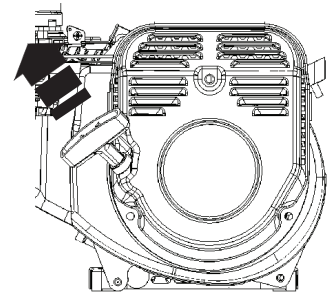


2•8

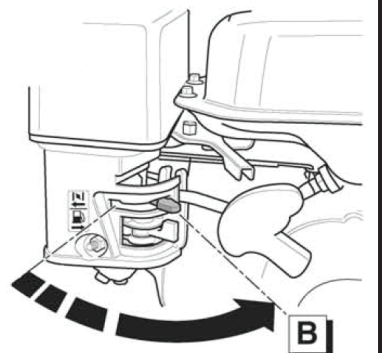
ON

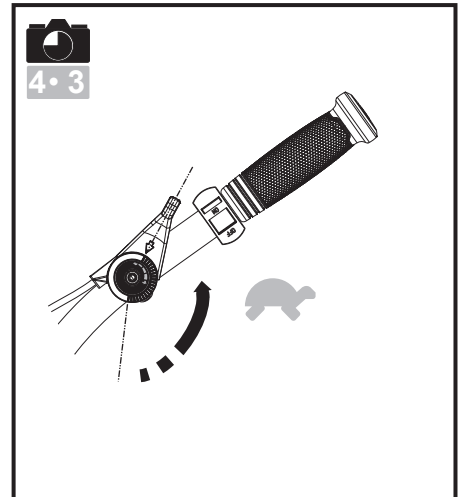
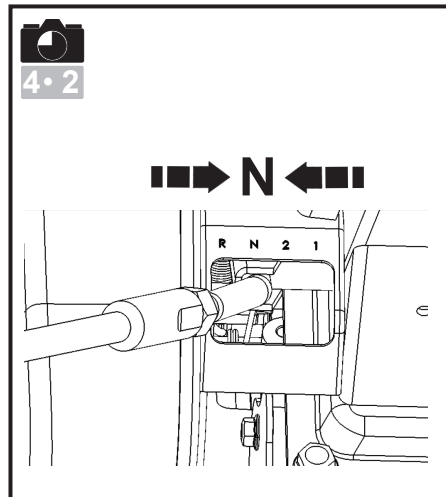
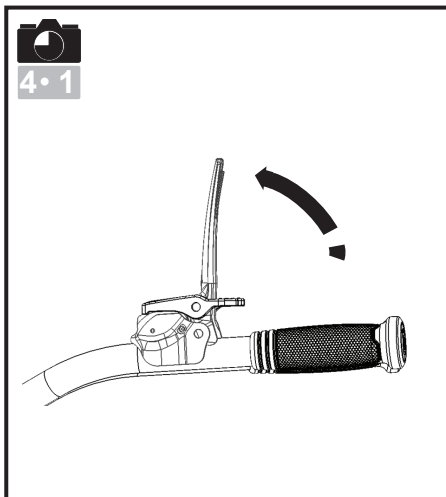
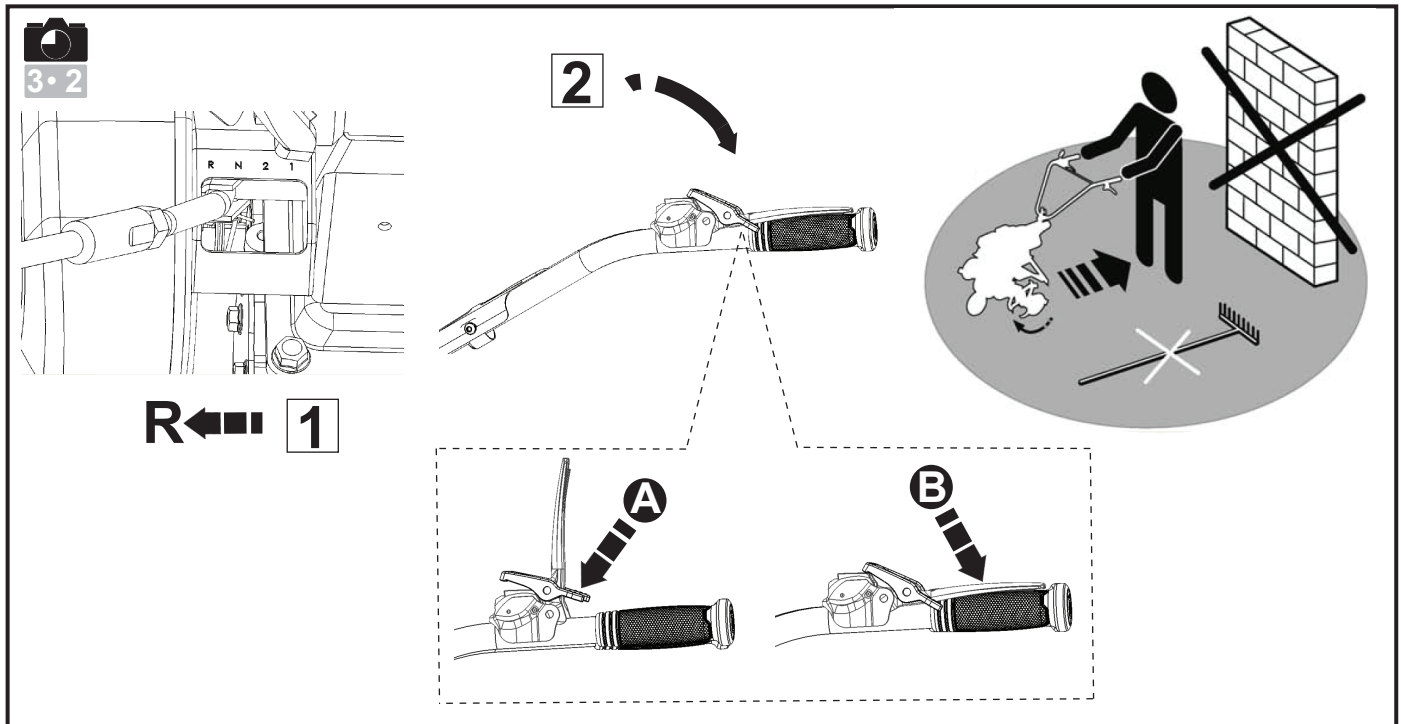
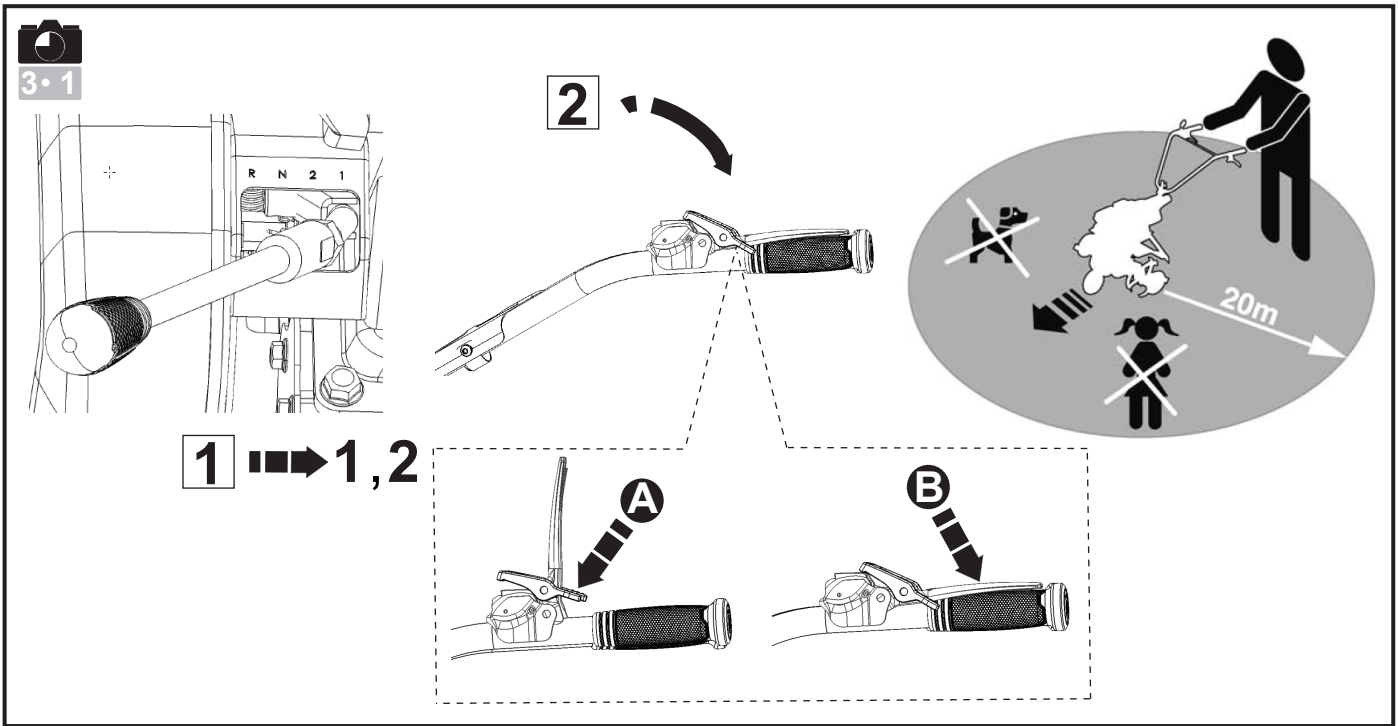


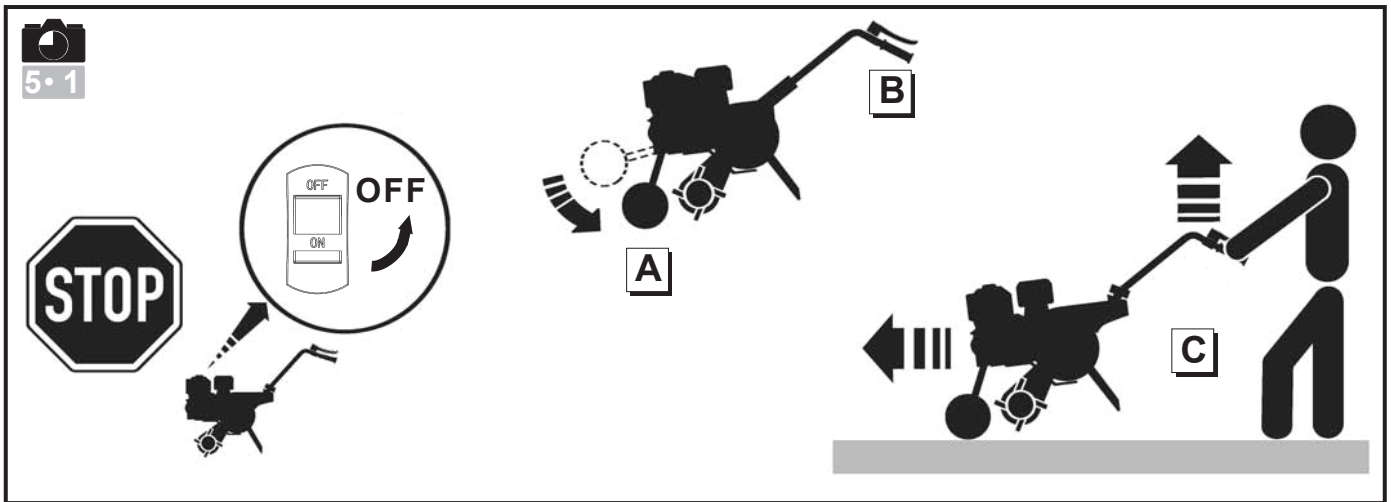
2•9



2•10







CONTENTS

Contents

CONTENTS

Contents	2
KEY TO SYMBOLS	
Symbols	3
Explanation of warning levels	3
SAFETY INSTRUCTIONS	
General	4
Preparation	4
Use	4
Maintenance	5
Transport and storage	5
Fueling	5
ASSEMBLING AND ADJUSTMENTS	
Unpacking	6
Assembly	6
Description of the components	6
Type plate	6
Transport wheel	6
STARTING AND STOPPING	
Before starting	7
Start the machine.	7
Use	7
Stopping	7
Moving the machine	7
MAINTENANCE AND SERVICE	
Maintenance schedule	8
General	8
TECHNICAL DATA	
Technical data	9
EC Declaration of Conformity	9

KEY TO SYMBOLS

Symbols

These symbols are on the machine and in the instructions.

WARNING! Careless or incorrect use can result in serious or fatal injury to the operator or others.



Please read the operator's manual carefully and make sure you understand the instructions before using the machine.

Use a helmet with hearing protector



This product is in accordance with applicable EC directives.



Reverse



Neutral



Fast forward



Slow forward



Fast



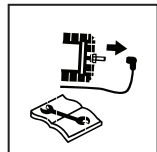
Slow



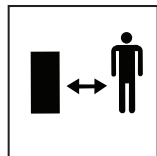
Warning: rotating parts. Keep hands and feet clear.



The ignition lead should always be removed from the spark plug before repair, cleaning or maintenance work.



Keep your distance!



Explanation of warning levels

The warnings are graded in three levels.

WARNING!



WARNING! Used if there is a risk of serious injury or death for the operator or damage to the surroundings if the instructions in the manual are not followed.

IMPORTANT!

IMPORTANT! Used if there is a risk of injury to the operator or damage to the surroundings if the instructions in the manual are not followed.

CAUTION!

CAUTION! Used if there is a risk of damage to materials or the machine if the instructions in the manual are not followed.

SAFETY INSTRUCTIONS

General

- These instructions are for your safety. Read them carefully.
- Read all the instructions in this operator's manual and on the machine before you start it. Ensure you understand them and then observe them.
- If you have any problems or questions about the tiller, please contact your Husqvarna dealer for more information.



WARNING! Only use the machine for the purpose it is designed for, tilling the ground. Any other use may be dangerous or cause damage to the machine.

- Learn how to use the machine and its controls safely and learn to how to stop quickly. Also learn to recognize the safety decals.
- The operator is responsible for any unsafe situations or risks that people and property are exposed to.
- Never start to work with the machine before the working area is clear and you have a firm foothold. Look out for any obstacles with unexpected movement. Take great care when working on sloping ground.
- Only allow the machine to be used by adults who are familiar with its use.
- Never allow children or other persons not trained in the use of the machine to use or service it. Local laws may regulate the age of the user.
- Keep unauthorised persons at a distance. Children, animals, onlookers and helpers should be kept outside the safety zone of 20 m. Stop the machine immediately if anyone approaches.
- Never use the machine if you are tired, if you have consumed alcohol, if you are taking other drugs or medication that can affect your vision, judgement or coordination.
- Pay particular attention on hard ground. The machine has the tendency to be much less stable on cultivated ground.



WARNING! This machine produces an electromagnetic field during operation. This field may under some circumstances interfere with active or passive medical implants. To reduce the risk of serious or fatal injury, we recommend persons with medical implants to consult their physician and the medical implant manufacturer before operating this machine.

- Never use the machine when barefoot. Always wear protective shoes or protective boots, preferably with steel toes. Never wear loose-fitting clothing, jewellery or similar that can get caught in moving parts. Use hearing protection to minimise the risk of hearing impairment.

Preparation

- Inspect the working area. Remove all loose objects, such as stones, broken glass, nails, steel wire, string, etc. that could be projected by the machine.
- Check the entire machine before starting. Replace worn or damaged parts. Check that there are no fuel leaks and that all guards and covers are complete and fastened securely. Check all nuts and screws.
- Check that the electrical cables are intact and in good condition.

Use

- Never use the machine to transport people.
- Compliance with and strict adherence to the conditions of operation, service and repair as specified by the manufacturer also constitute essential elements of the intended use.
- Stop the engine when the machine is not in use.
- Walk with the machine, do not run.
- Pay close attention when pulling the machine towards you or reversing the direction of rotation.
- Keep a safe distance from the rotating blades, set by the length of the steering column. Keep your hands and feet away from the rotating blades.
- The engine and the exhaust system become very hot during operation. Risk of burn injuries if touched.
- Only use the machine in daylight or in other well-lit conditions.
- Do not use the machine on ground that slopes more than 20°.
- Work across slopes, not up or down.



WARNING! Under no circumstances should you modify the original design of the machine without approval from the manufacturer. Always use original spare parts. Unauthorized modifications and/or accessories may lead to serious injury or death to the user or others.

The warranty is not valid if non genuine parts are used.

Stop the engine immediately if the following occurs:

- Excessive vibration and / or noise.
- Mechanical jam preventing motor from turning.
- Difficulties to engage or disengage the clutch.
- A collision with a foreign object.
- Deterioration of the engine stop cable.

If the engine halt cable is severed, use the starter control to stop the engine. For more information see section "Start the engine"

Allow the machine to cool down. Disconnect the HT lead from the spark plug. Check that the machine is not damaged. If the machine is damaged, hand it in to an authorized service workshop for repair.

SAFETY INSTRUCTIONS

Maintenance

- Always stop the engine before repair, cleaning, maintenance work or when changing the tools on the machine.
- Regular maintenance is essential for safety and to maintain the levels of performance.
- Wear heavy-duty gloves when changing the tools on the machine.
- Replace the rotating blade in complete sets to keep them balanced. Always use genuine parts.
- Check that nuts and screws are tight.
- Never use a machine that has a faulty muffler. Contact an authorised service workshop.

IMPORTANT! For your own safety, do not alter the characteristics of the machine. Do not change the engine speed settings and do not run the engine at excess speed.

Transport and storage

- Allow the machine to cool before putting it in storage.
- Store the machine and fuel in such a way that there is no risk that leaking fuel or fumes can cause any damage.
- The machine should always be stored in a dry place away from open fire, sparks or intense heat.
- Fuel and fuel vapour are highly flammable. Take care when handling fuel and oil. Bear in mind the risk of fire, explosion and inhaling fumes.
- When storing and transporting fuel always use approved containers intended for this purpose.
- Do not try to lift the machine. Use a method of handling adapted to the weight of the machine and to the situation.
- Take extra care when loading it onto or off a vehicle or trailer. Use a suitable ramp.
- Use an approved trailer to transport the machine. Secure the machine with approved tightening straps. Ensure that no part of the machine are squashed or damaged by the tightening straps. It is a good idea to cover the machine.
- For more information about moving of the machine during work, see section "Moving".

Fueling

- Always stop the engine and let it cool for a few minutes before refuelling.
- Refuel in a well ventilated area with the engine turned off.



WARNING! Petrol is highly inflammable. Exercise care and refuel outdoors. Fire, open flame and smoking are prohibited.

Clean the area around the fuel cap. Tighten the fuel cap carefully after refuelling. If the cap is not properly tightened the cap might vibrate loose and fuel may escape from the fuel tank creating a fire hazard. Move the machine at least 3 m from the refuelling point before starting it.

- Bear in mind the risk of fire, explosion and inhaling fumes. Do not fill so that the fuel runs over. Wipe up all spillage on the ground and machine. If you spill fuel on yourself or your clothes. Change your clothes. Move the machine at least 3 metres away from the refuelling area before starting.
- The engine emits carbon monoxide, which is a colourless, poisonous gas. Do not use the machine in enclosed spaces.

ASSEMBLING AND ADJUSTMENTS

Unpacking

Illustration: 1 • 1

IMPORTANT! Make sure to not cut the cables or scratch the machine when cutting the edges of the case.

References	Content of the case
A	Engine parts
B	Holder comp
C	Holder main comp
D	Support wheel
E	Drag bar
F	Tine cover
G	Tine cover bracket
H	Lever shifting
I	Blade
J	Blade round
K	Connector joint
L	Cover lower tidy
M	Tool bag
N	Hardware bag
O	Hardware bag tines only

Assembly

Illustration: 1 • 2



WARNING! Inappropriate assembly of this rotary tiller could cause severe injuries. Ensure that you follow all the instructions carefully.

- Fitting the tine blades. Illustrations only shows assembly of the tin blades on the right side. Make sure that the sharp edges face one side on both right and left side tines. **(Figure 1 - 6)**
- Fitting the support wheel. **(Figure 7)**
- Fitting the connecting joint. **(Figure 8)**
- Fitting the drag bar. **(Figure 9)**
- Fitting the handle bar. **(Figure 10)**
- Adjust the height of the handle and tighten the knobs securely. **(Figure 11)**
- Fitting the clutch control. **(Figure 12)**
 - Turn to proper side and fasten the bolt.
- Fitting the lower tidy cover. **(Figure 13 - 14)**
 - Tidy the cables.
 - Fit the rubber holder properly.
 - Fit the cover and tighten the screws.

- Fitting the tine cover. **(Figure 15 - 17)**
 - Do not tighten the bolt immediately after installed.
 - Install all 4 bolts and nuts first, then tighten one by one.
- Fitting the shifting lever. **(Figure 18)**

Any dismantling operation must only be performed by an authorized service workshop.

CAUTION! After assembling the machine completely, tighten the bolts and screws with moderation. Do not overtighten.

Description of the components

Illustration: 1 • 3

- 1 Engine
- 2 Tine cover
- 3 Support wheel
- 4 Belt cover
- 5 Blade round
- 6 Drag bar
- 7 Handle
- 8 Lever shifting
- 9 Bumper
- 10 Clutch control
- 11 ON/OFF switch
- 12 Throttle control
- 13 Upper tidy cover
- 14 Lower tidy cover

Type plate

Illustration: 1 • 4

Transport wheel

Illustration: 1 • 5

A= Working position

B= Transport position

STARTING AND STOPPING

Before starting

- Check the engine oil level and top up if necessary. Illustration: 2 • 1
- Check the oil level of the gear box, and top up if necessary. Illustration: 2 • 2
- Check the fuel level. Fill if necessary. Illustration: 2 • 3
 - Recommended to use: Octane Value over 90.

Start the machine.

- Open the fuel tap. Illustration: 2 • 4
- Set the choke control in the A position. Illustration: 2 • 5
- Shifting lever Illustration: 2 • 6
 - Put the gear shift lever in the "N" position (neutral).

N

- Throttle control Illustration: 2 • 7
 - Push the throttle control to full throttle position.



- Set the on/off switch to ON to attain start throttle setting. Illustration: 2 • 8
- Pull the recoil start handle Illustration: 2 • 9



WARNING! When the machine starts, remain within the safety zone.

- Set the choke control in the B position. Illustration: 2 • 10

Use

Illustration: 3 • 1



WARNING! Keep unauthorised persons at a distance. Children, animals, onlookers and helpers should be kept outside the safety zone of 20 m. Stop the machine immediately if anyone approaches.

Forwards

- Use the shifting lever to control the drive speed.

Slow

1

Fast

2

- Press down the trigger lock on the handle (A) and push the clutch lever in towards the handle (B).
- The cultivator starts to rotate when you push the clutch down towards the handle and stops rotating when you release the clutch.

Reverse

Illustration: 3 • 2

IMPORTANT! The cultivator starts to rotate when you push the clutch down towards the handle and stops rotating when you release the clutch. It is important to release the clutch lever before using reverse.

- Slide the control to "R" position.

R



WARNING! The use of reverse is dangerous! Ensure that there are no obstacles behind you and reduce the engine revs before engaging the clutch.

- Press down the trigger lock on the handle (A) and push the clutch lever in towards the handle (B).

Stopping

- Release the clutch lever. Illustration: 4 • 1
- Put the gear shift lever in the "N" position (neutral). Illustration: 4 • 2

N

- Move the throttle control to the MIN. position. Illustration: 4 • 3



- Use the stop switch to switch off the engine. Illustration: 4 • 4
- Close the fuel tap. Illustration: 4 • 5

Moving the machine

Illustration: 5 • 1

- The engine must be switched off before moving. See instructions under section Stopping.
- Set the wheel in movement position. **(Figure A)**
- Set the handlebars in the low position to facilitate moving the machine. **(Figure B)**
- Lift the blades from the ground using the handlebars and then advance forwards. **(Figure C)**

MAINTENANCE AND SERVICE

Maintenance schedule

The following is a list of the maintenance steps that must be performed on the machine.

Maintenance	Illustration	Daily maintenance before starting	Maintenance interval in hours			
			20 hours or every month	50 hours or every 3 months	100 hour or every 6 months	300 hours or once a year
Clean the machine.		X				
Check that nuts and screws are tight and without damage.		X				
Clean the air filter. Replace if necessary.	4 • 6	X		X*		X**
Check the engine's oil level	2 • 1	X				
Check the oil level of the gear box, and top up if necessary.	2 • 2	X				
Check for any leakage of fuel, engine oil and lubrication.		X				
Check the fuel level. Fill if necessary.	2 • 3	X				
If the machine starts to vibrate abnormally, immediately check.		X				
Change the oil and lubrication of the engine and the gearbox.			X			
Clean the fuel filter and its surrounding components.					X	X**
Change the oil and lubrication of the engine and the gearbox.					X	
Clean the spark plug and the spark plug cap.					X	
Replace the spark plug.						X
Check/Adjust the play in the engine valves						X**
Clean the combustion chamber						X**
Check the fuel circuit						X**

* Clean more often in condition of use where the air is dusty or laden with aerial debris.

** Not essential except in the event of performance problems. Contact an authorised service workshop.



WARNING! Remove the foam plastic filter. Wash the filter well in tepid soapy water. After cleaning, rinse the filter well in clean water. Squeeze out and allow the filter to dry. NOTE! High pressure compressed air can damage the foam. Do not use compressed air or solvent with petroleum to clean the air filter.

General



WARNING! Before carrying out repair work, cleaning or inspection, the machine must be in standstill and turned off.

Never make adjustments with the machine running.

Always use genuine parts.

- Never wear jewellery, watches or similar when cleaning, carrying out repair work on or inspecting the machine.

Do not modify safety equipment. Check regularly to be sure it works properly.

Always exercise care and use your common sense. Avoid all situations which you consider to be beyond your capability. If you still feel uncertain about operating procedures after reading these instructions, you should consult an expert before continuing. Contact an authorised service workshop.

TECHNICAL DATA

Technical data

	TF230
Tilling width, mm	750
Tilling depth, mm	150 - 300
Engine	WM168FB/P-2
Fuel	Petrol
Fuel tank capacity, liters	3,6
Oil tank capacity, litre	0,6
Cylinder displacement, cm ³	196
Max power hp (kW) @ rpm	4,7 (3,45) @ 3100
Gears	R, N, 2, 1
Oil capacity gearbox, liters	0,95
Gross weight, kg	86,5
Net weight, kg	66,5
Packaging size, mm	845x480x780
Certification	CE, EAC

IMPORTANT! When the service life of this product has been served and it is no longer used it should be returned to the dealer or to an applicable station for recycling.

IMPORTANT! We reserve the right to change specifications and designs without prior notice so as to implement improvements. Note that no legal claims are valid on the basis of information in this manual. Use only genuine parts for repairs. The warranty is not valid if non genuine parts are used.

EC Declaration of Conformity (Applies to Europe only)

Husqvarna AB, SE-561 82 Huskvarna, Sweden, tel: +46-36-146500, declares under sole responsibility that the Tiller Husqvarna TF 230 from serial numbers 1447000096, and onwards (the subsequent serial number is clearly stated in plain text on the type plate), are in conformity with the requirements of the COUNCIL'S DIRECTIVES:

of May 17, 2006 "relating to machinery" **2006/42/EC**.

of December 15, 2004 "relating to electromagnetic compatibility" **2004/108/EC**.

The following harmonised standards have been applied: **EN 709:1997, A4:2009**

Huskvarna December 26, 2014



Claes Losdal, Development Manager/Garden Products
(Authorized representative for Husqvarna AB and responsible for technical documentation.)

СОДЕРЖАНИЕ

Содержание

СОДЕРЖАНИЕ	
Содержание	10
ПОЯСНЕНИЕ СИМВОЛОВ	
Условные обозначения	11
Пояснение к уровням предупреждений	11
ИНСТРУКЦИЯ ПО ТЕХНИКЕ БЕЗОПАСНОСТИ	
Общие сведения	12
Подготовка	12
Назначение	12
Техническое обслуживание	13
Транспортировка и хранение	13
Заправка	13
СБОРКА И НАСТРОЙКИ	
Распаковка	14
Сборка	14
Описание компонентов	14
Табличка с обозначением типа	14
Колесо для транспортировки	14
ЗАПУСК И ОСТАНОВ	
Перед запуском	15
Включите машину.	15
Назначение	15
Останов	15
Перемещение оборудования	15
ТЕХОБСЛУЖИВАНИЕ И РЕМОНТ	
Регламент технического обслуживания	16
Общие сведения	16
ТЕХНИЧЕСКИЕ ХАРАКТЕРИСТИКИ	
Технические характеристики	17
Гарантия ЕС о соответствии	17

ПОЯСНЕНИЕ СИМВОЛОВ

Условные обозначения

На частях газонокосилки и в руководстве имеются следующие символы.

ПРЕДУПРЕЖДЕНИЕ! Небрежное или неправильное применение может привести к серьезной или смертельной травме пользователя или окружающих.



Прежде чем приступить к работе с машиной внимательно прочитайте инструкцию и убедитесь, что Вам все понятно.



Используйте шлем с защитными наушниками



Эта продукция отвечает требованиям соответствующих нормативов ЕС.



Задний ход



Нейтральная скорость



Быстрое движение вперед



Медленное движение вперед



Быстро



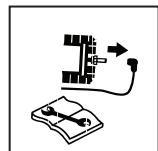
Медленно



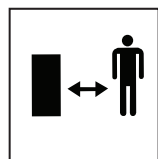
Предупреждение: вращающиеся части. Держите руки и ноги на безопасном расстоянии.



До проведения ремонта, очистки или обслуживания необходимо удалить провод цепи зажигания из свечи зажигания.



Сохраняйте дистанцию!



Пояснение к уровням предупреждений

Существует три уровня предупреждений.

ПРЕДУПРЕЖДЕНИЕ!



ПРЕДУПРЕЖДЕНИЕ! Используется, когда несоблюдение инструкций руководства может создать угрозу причинения серьезных травм или смерти оператора или повреждения находящегося рядом имущества.

ВАЖНО!

ВАЖНО! Используется, когда несоблюдение инструкций руководства может создать угрозу причинения травм оператору или повреждения находящегося рядом имущества.

Обратите внимание!

Обратите внимание! Используется, когда несоблюдение инструкций руководства может создать угрозу повреждения материалов или машины.

ИНСТРУКЦИЯ ПО ТЕХНИКЕ БЕЗОПАСНОСТИ

Общие сведения

- Соблюдение этих инструкций обеспечит вашу безопасность. Прочтите их внимательно.
- Перед запуском машины прочтите все инструкции, приведенные в данном руководстве и на самой машине. Убедитесь в том, что вы их поняли, и затем выполняйте их.
- В случае возникновения проблем или вопросов относительно работы культиватора обратитесь к дилеру Husqvarna для получения дополнительных сведений.



ПРЕДУПРЕЖДЕНИЕ! Используйте оборудование только в целях, для которых оно предназначено (культивация земли). Использование оборудования в других целях чревато рисками или может привести к повреждению оборудования.

- Изучите инструкции по безопасной эксплуатации машины и использованию средств управления, а также научитесь быстро останавливать машину. Также необходимо разбираться в значении предупредительных наклеек.
- Оператор несет ответственность при возникновении рисков или ситуаций, опасных для людей и их собственности.
- Никогда не начинайте использовать оборудование, пока участок работы не будет очищен, а вы не будете устойчиво стоять. Следите за возможными препятствиями при неожиданном перемещении. Будьте особенно осторожны при работе на склонах.
- Машиной должны пользоваться только взрослые, знающие как с ней обращаться.
- Запрещается допускать к управлению или ремонту машины детей или взрослых, не имеющих соответствующей подготовки. Возраст пользователя может определяться местными законами.
- В зоне работы не должны находиться посторонние. Дети, животные, зрители и помощники должны быть вне зоны работы на расстоянии более 20 м. Если кто-либо приближается к вам во время работы, немедленно остановите машину.
- Никогда не пользуйтесь машиной, если вы устали, принимали алкоголь или медицинские препараты, использование которых может отразиться на вашем зрении, сознании или координации движений.
- Соблюдайте особую осторожность при обработке твердой почвы. На культивированной почве устойчивость оборудования значительно снижается.



ПРЕДУПРЕЖДЕНИЕ! Машина во время работы создает электромагнитное поле. В определенных обстоятельствах это поле может создавать помехи для пассивных и активных медицинских имплантатов. Чтобы избежать риска серьезной травмы или смерти, лицам с медицинскими имплантатами рекомендуется проконсультироваться с врачом и изготовителем имплантата, прежде чем приступить к эксплуатации этой машины.

- Никогда не управляйте машиной босиком. Всегда надевайте защитные туфли или ботинки, лучше всего со стальным носком. Просторная одежда может застрять в движущихся частях. Пользуйтесь средствами защиты органов слуха, чтобы свести к минимуму возможность нарушения слуха.

Подготовка

- Проверьте участок работы. Уберите все свободно лежащие предметы, которые могут быть отброшены оборудованием, включая камни, разбитое стекло, гвозди, стальную проволоку, веревки и прочее.
- Перед началом работы проверьте целостность оборудования. Замените изношенные или поврежденные детали. Убедитесь в отсутствии утечек топлива и проследите, чтобы все защитные ограждения и щитки были установлены на своих местах и надежно закреплены. Проверьте все гайки и винты.
- Убедитесь, что электрические кабели не повреждены и находятся в надлежащем состоянии.

Назначение

- Запрещается использовать оборудование для перевозки людей.
- Соответствие условиям работы, обслуживания и ремонта, указанным производителем, и строгое их соблюдение также являются важным составным компонентом использования по назначению.
- Останавливайте двигатель, когда оборудование не используется.
- При работе с машиной перемещайтесь пешком, а не бегом.
- Будьте особо внимательны при перемещении оборудования в вашу сторону или при изменении направления вращения.
- Держитесь на безопасном расстоянии от вращающихся ножей в соответствии с длиной рулевой колонки. Не приближать руки или ноги к вращающимся лезвиям.
- При работе двигатель и система выхлопных газов сильно нагреваются. Существует риск ожогов при прикосновении.
- Пользуйтесь машиной только при дневном свете или при хорошем освещении.
- Запрещается использовать машину на участках с уклоном более 20°.
- Работайте поперек склона, а не вверх и вниз.

ИНСТРУКЦИЯ ПО ТЕХНИКЕ БЕЗОПАСНОСТИ



ПРЕДУПРЕЖДЕНИЕ! Любые модификации оригинальной конструкции аппарата без разрешения производителя запрещены. Используйте только оригинальные запасные части. Любые модификации и/или использование запасных частей, не разрешенных производителем, может привести к серьезным ранениям или летальному исходу как пользователей, так и окружающих людей.

При использовании других запасных частей гарантийные обязательства теряют свою силу.

Немедленно остановите двигатель в следующих случаях:

- чрезмерная вибрация и/или шум;
- заедание механизма, ведущее к остановке вращения двигателя;
- трудности при включении и выключении сцепления;
- столкновение с посторонним предметом;
- износ кабеля останова двигателя.

Если кабель останова двигателя оборван, используйте для остановки двигателя рычаг управления стартером. Для получения дополнительных сведений см. раздел 'Запуск двигателя'.

Дождитесь понижения температуры машины. Отсоедините провод высокого напряжения от свечи зажигания. Убедитесь в отсутствии повреждений оборудования. Если оборудование повреждено, сдайте его в авторизованную сервисную мастерскую для проведения ремонта.

Техническое обслуживание

- Всегда останавливайте двигатель перед проведением ремонта, очистки, технического обслуживания или замены инструментов на оборудовании.
- Для безопасной работы и поддержания производительности на должном уровне необходимо регулярно проводить техническое обслуживание.
- Надевайте прочные перчатки при замене инструментов на оборудовании.
- Заменять вращающиеся ножи следует комплектом для сохранения их балансировки. Всегда используйте детали производителя.
- Проверьте затяжку гаек и болтов и подтяните в случае необходимости.
- Никогда не используйте машину с дефектным глушителем. Обратитесь в авторизованную мастерскую по обслуживанию.

ВАЖНО! В целях безопасности запрещается изменять характеристики оборудования. Запрещается изменять настройки частоты вращения двигателя и эксплуатировать двигатель на слишком высокой скорости.

Транспортировка и хранение

- Дайте машине остыть перед тем, как поставить ее в помещение.
- Храните машину и топливо таким образом, чтобы избежать травмы в случае утечки или испарения топлива.
- Оборудование следует хранить в сухом месте, вдали от источников открытого огня, искр или чрезмерного тепла.
- Топливо и его пары легковоспламеняемы. Будьте осторожны при обращении с топливом и маслом. Помните об опасности пожара, взрывов и вдыхания паров.
- Топливо всегда следует хранить и транспортировать в специальных емкостях, предназначенных для этой цели.
- Не пытайтесь поднимать оборудование. При выполнении манипуляций с оборудованием используйте методы, соответствующие его весу и ситуации.
- Соблюдайте особую осторожность при погрузке оборудования на транспортное средство/платформу или его разгрузке. Используйте соответствующую рампу.
- Используйте специальный прицеп для транспортировки машины. Машину следует закреплять только утвержденными для таких работ стропами. Убедитесь, что стропы не деформируют элементы машины. В качестве дополнительной защиты во время работы машину можно накрывать.
- Дополнительные сведения о перемещении оборудования во время работы см. в разделе 'Перемещение'.

Заправка

- Перед заправкой следует обязательно выключить двигатель и дать ему охладиться в течение нескольких минут.
- Заправку необходимо производить в хорошо вентилируемом помещении с выключенным двигателем.



ПРЕДУПРЕЖДЕНИЕ! Бензин является легковоспламеняющейся жидкостью! Будьте осторожны и заправляйте машину только на улице. Запрещается курить и использовать источники открытого огня.

Очистите область вокруг топливного бака. После заправки плотно затяните крышку топливного бака. Если крышка неплотно затянута, то под воздействием вибрации крышка может открутиться, что приведет к вытеканию топлива из топливного бака и риску возникновения пожара. Перед запуском отнесите машину как минимум на 3 м от места заправки.

- Помните об опасности пожара, взрыва или вдыхания паров. Не заливайте столько топлива, чтобы оно переливалось. Протрите разлитое топливо на полу и оборудовании. В случае пролива топлива на себя или на одежду. Замените одежду. Перед запуском переместите оборудование не менее чем на 3 метра от места заправки.
- При работе двигатель выделяет окись углерода, бесцветный токсичный газ. Не пользуйтесь машиной в ограниченных пространствах.

СБОРКА И НАСТРОЙКИ

Распаковка

Рисунок: 1 · 1

ВАЖНО! При разрезании краев коробки старайтесь не порезать кабели и не поцарапать оборудование.

Обозначения	Содержимое комплекта
A	Детали двигателя
B	Компонент держателя
C	Основной компонент держателя
D	Опорное колесо
E	Тяга
F	Кожух лап
G	Кронштейн кожуха лап
H	Рычаг переключения
I	Нож
J	Круглый нож
K	Соединительное колено
L	Нижняя защитная крышка
M	Сумка для инструмента
N	Комплект крепежа
O	Комплект крепежа, только для лап

Сборка

Рисунок: 1 · 2



ПРЕДУПРЕЖДЕНИЕ! Ненадлежащая сборка роторного культиватора может привести к серьезным травмам. Строго соблюдайте приведенные ниже инструкции.

- Установка ножей На рисунках показана сборка ножей только с правой стороны. Убедитесь, что ножи на правой и левой лапах установлены острым краем в одну сторону. (Рисунок 1 - 6)
- Установка опорного колеса. (Рисунок 7)
- Установка соединительного колена. (Рисунок 8)
- Установка тяги. (Рисунок 9)
- Установка рукоятки. (Рисунок 10)
- Настройте высоту рукоятки и надежно затяните ручки. (Рисунок 11)
- Установка рычага управления сцеплением. (Рисунок 12)
 - Поверните в нужную сторону и затяните болт.
- Установка нижней защитной крышки. (Рисунок 13 - 14)
 - Зачистите кабели.
 - Установите резиновый держатель надлежащим образом.
 - Смонтируйте крышку и затяните винты.

- Установка кожуха лап. (Рисунок 15 - 17)
 - Не затягивайте болт сразу после установки.
 - Сначала установите все 4 болта и гайки, а затем затяните их по очереди.

- Установка рычага переключения. (Рисунок 18)

Все операции по разборке должны выполняться только авторизованным сервисным дилером.

Обратите внимание! После полной сборки оборудования затяните винты и болты с умеренным усилием. Не прикладывайте при затяжке слишком больших усилий.

Описание компонентов

Рисунок: 1 · 3

- 1 Двигатель
- 2 Кожух лап
- 3 Опорное колесо
- 4 Крышка ремня
- 5 Круглый нож
- 6 Тяга
- 7 Рукоятка
- 8 Рычаг переключения
- 9 Бампер
- 10 Управление сцеплением
- 11 Переключатель ВКЛ/ВЫКЛ
- 12 Управление дросселем
- 13 Верхняя защитная крышка
- 14 Нижняя защитная крышка

Табличка с обозначением типа

Рисунок: 1 · 4

Колесо для транспортировки

Рисунок: 1 · 5

A= Рабочий ход

B= Транспортное положение

ЗАПУСК И ОСТАНОВ

Перед запуском

- Проверьте уровень масла в двигателе и при необходимости добавьте масла. Рисунок: 2 · 1
- Проверьте уровень масла в редукторе и при необходимости долейте масло. Рисунок: 2 · 2
- Проверьте уровень топлива. При необходимости заправьте. Рисунок: 2 · 3
 - Рекомендации по использованию: Топливо с октановым числом более 90.

Включите машину.

- Откройте кран регулирования поступления горючего. Рисунок: 2 · 4
- Установите заслонку в положение А. Рисунок: 2 · 5
- Рычаг переключения Рисунок: 2 · 6
 - Установите рычаг переключения передач в положение 'N' (нейтральное).

N

- Управление дросселем Рисунок: 2 · 7
 - Переместите ручку газа в положение полного газа.



- Установите переключатель включения/выключения в положение ON (ВКЛ) для переключения дроссельной заслонки в пусковое положение. Рисунок: 2 · 8
- Потяните рукоятку стартера Рисунок: 2 · 9



ПРЕДУПРЕЖДЕНИЕ! Когда оборудование запустится, оставайтесь в безопасной зоне.

- Установите заслонку в положение В. Рисунок: 2 · 10

Назначение Рисунок: 3 · 1



ПРЕДУПРЕЖДЕНИЕ! В зоне работы не должны находиться посторонние. Дети, животные, зрители и помощники должны быть вне зоны работы на расстоянии более 20 м. Если кто-либо приближается к вам во время работы, немедленно остановите машину.

Вперед

- Для управления скоростью движения используйте рычаг переключения.

Медленно

1

Быстро

2

- Нажмите блокиратор газа на рукоятке (А) и нажмите рычаг сцепления в сторону рукоятки (В).
- При нажатии рычага в сторону рукоятки культиватор начинает вращаться; он прекращает вращаться, когда вы отпускаете сцепление.

Задний ход

Рисунок: 3 · 2

ВАЖНО! При нажатии рычага в сторону рукоятки культиватор начинает вращаться; он прекращает вращаться, когда вы отпускаете сцепление. Необходимо всегда отпускать рычаг сцепления перед включением заднего хода.

- Передвиньте ручку в положение R.

R



ПРЕДУПРЕЖДЕНИЕ! Использование заднего хода опасно! Убедитесь, что позади вас нет никаких препятствий, и уменьшите обороты двигателя, прежде чем включить сцепление.

- Нажмите блокиратор газа на рукоятке (А) и нажмите рычаг сцепления в сторону рукоятки (В).

Останов

- Отпустите рычаг сцепления. Рисунок: 4 · 1
- Установите рычаг переключения передач в положение 'N' (нейтральное). Рисунок: 4 · 2

N

- Установите ручку газа в положение MIN. Рисунок: 4 · 3



- Данный выключатель используется для полной остановки двигателя. Рисунок: 4 · 4
- Закройте кран регулирования поступления горючего. Рисунок: 4 · 5

Перемещение оборудования

Рисунок: 5 · 1

- При перемещении, двигатель должен быть выключен. См. инструкции в разделе 'Остановка'.
- Установите колесо в положение движения. (Рисунок А)
- Установите рукоятку-руль в нижнее положение, чтобы облегчить передвижение оборудования. (Рисунок В)
- Поднимите ножи с земли с помощью рукоятки-руля и подайте вперед. (Рисунок С)

ТЕХОБСЛУЖИВАНИЕ И РЕМОНТ

Регламент технического обслуживания

Ниже приведен перечень обслуживания, которое необходимо выполнять на машине.

Техническое обслуживание	Рисунок	Ежедневное техобслуживание перед запуском	Интервалы между циклами технического обслуживания в часах			
			каждые 20 часов или раз в месяц	каждые 50 часов или раз в 3 месяца	каждые 100 часов или раз в 6 месяцев	каждые 300 часов или раз в год
Очистите машину.		X				
Проверьте затяжку гаек и винтов и отсутствие повреждений на них.		X				
Прочистите воздушный фильтр. В случае необходимости замените.	4 · 6	X		X*		X**
Проверьте уровень масла в двигателе	2 · 1	X				
Проверьте уровень масла в редукторе и при необходимости долейте масло.	2 · 2	X				
Проверьте отсутствие утечек топлива, моторного масла и смазки.		X				
Проверьте уровень топлива. При необходимости заправьте.	2 · 3	X				
В случае необычной вибрации машины незамедлительно выполните проверку.		X				
Замените масло и смазку двигателя и редуктора.			X		X	
Очистите топливный фильтр и окружающие компоненты.					X	X**
Очистите свечу зажигания и колпачок свечи зажигания.					X	
Заменить свечу зажигания.						X
Проверьте/отрегулируйте зазор клапанов двигателя						X**
Очистите камеру сгорания						X**
Проверьте топливный контур						X**

* При эксплуатации оборудования в условиях запыленного или загрязненного воздуха очистку следует проводить чаще.

** Необязательно, за исключением возникновения проблем с производительностью. Обратитесь в авторизованную мастерскую по обслуживанию.



ПРЕДУПРЕЖДЕНИЕ! Снимите пенопластовый фильтр. Промойте тщательно фильтр в растворе теплой мыльной воды. После промывания тщательно прополощите фильтр в чистой воде. Выжмите и дайте фильтру просохнуть. **ОБРАТИТЕ ВНИМАНИЕ!** Сжатый воздух под высоким давлением может повредить пенопласт. Не используйте для очистки воздушного фильтра сжатый воздух или содержащие бензин растворители.

Общие сведения



ПРЕДУПРЕЖДЕНИЕ! Перед проведением ремонта, очистки или осмотра машина должна быть остановлена и выключена.

Ни в коем случае не выполняйте регулировку на работающей машине.

Всегда используйте детали производителя.

- Никогда не надевайте украшения, часы или прочие аксессуары во время очистки, ремонта или осмотра машины.

Никогда не вносите изменений в конструкцию оборудования безопасности. Регулярно проверяйте его функционирование.

Необходимо быть осторожным и руководствоваться здравым смыслом. Избегайте работ, для которых, по вашему мнению, уровень вашей квалификации недостаточен. Если после изучения настоящих инструкций у вас возникли вопросы относительно эксплуатации машины, прежде чем приступить к работе, обратитесь за консультацией к специалисту. Обратитесь в авторизованную мастерскую по обслуживанию.

ТЕХНИЧЕСКИЕ ХАРАКТЕРИСТИКИ

Технические характеристики

	TF230
Ширина культивации, мм	750
Глубина культивации, мм	150 - 300
Двигатель	WM168FB/P-2
Топливо	Бензин
Емкость топливного бака, литров	3,6
Емкость масляного бака, литров	0,6
Объем цилиндра, см ³	196
Макс. мощность, л.с. (кВт) при об/мин	4,7 (3,45) @ 3100
Передачи	R, N, 2, 1
Объем масла в редукторе, л	0,95
Общий вес, кг	86,5
Вес нетто, кг	66,5
Размер упаковки, мм	845x480x780
Сертификация	CE, EAC

ВАЖНО! Если машина не используется по причине выработки эксплуатационного ресурса, ее следует сдать продавцу или на станцию для переработки.

ВАЖНО! Производитель сохраняет за собой право изменения спецификаций и конструкции без предварительного уведомления с целью модернизации машины. Никакие юридические претензии не могут быть предъявлены на основании информации, приведенной в данной инструкции. Пользуйтесь только запасными частями завода-изготовителя. При использовании других запасных частей гарантийные обязательства теряют свою силу.

Гарантия ЕС о соответствии (Только для Европы)

Husqvarna AB, SE-561 82 Huskvarna, Швеция, тел.: +46-36-146500, настоящим заверяет, что культиваторы Husqvarna TF 230 и TF 338 с серийными номерами 1447000096 и далее для TF 230, 1447000139 и далее для TF 338 (серийный номер четко указан на табличке с обозначением типа), соответствуют требованиям ДИРЕКТИВ СОВЕТА:

от 17 мая 2006 года, "о машинах и механизмах" 2006/42/ЕС.

от 15 декабря 2004 года об электромагнитной совместимости" 2004/108/ЕЕС.

Были применены следующие стандарты технического соответствия: EN 709:1997, A4:2009

Husqvarna, 10 декабря 2014 г.



Claes Losdal, Директор отдела разработок/Садовая техника
(Уполномоченный представитель Husqvarna AB и ответственный за техническую документацию.)

ЗМІСТ

Зміст

ЗМІСТ	
Зміст	18
УМОВНІ ПОЗНАЧЕННЯ	
Позначення	19
Описання рівнів попередження	19
ПРАВИЛА БЕЗПЕКИ	
Загальне	20
Підготування	20
Застосування	20
Обслуговування	21
Транспортування та зберігання	21
Заправлення палива	21
МОНТАЖ ТА НАЛАШТУВАННЯ	
Розпакування	22
Монтаж	22
Опис компонентів	22
Табличка технічних даних	22
Транспортне колесо	22
ПУСК ТА ВИМИКАННЯ	
Перед початком роботи	23
Запустіть пристрій.	23
Застосування	23
Вимкнення	23
Переміщення машини	23
ОБСЛУГОВУВАННЯ	
Графік технічного обслуговування	24
Загальне	24
ТЕХНІЧНІ ДАНІ	
Технічні дані	25
декларація відповідності стандартам Європейського Союзу	25

УМОВНІ ПОЗНАЧЕННЯ

Позначення

Ці символи зазначено на корпусі машини та в інструкціях.

НЕБЕЗПЕЧНО! Недбале чи неправильне використання може спричинити серйозне або смертельне поранення користувача чи інших осіб.



Перед користуванням інструментом уважно прочитайте посібник користувача та переконайтеся, що Ви зрозуміли всі вказівки.



Використовуйте шолом із захисними навушниками



Цей виріб відповідає належним вимогам ЇС.



Задній хід



Нейтральна передача



Швидко вперед



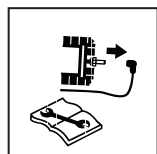
Повільно вперед



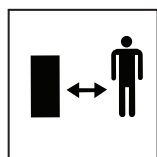
Швидко

Повільно

Увага: обертальні частини. Не наближайте до них руки та ноги.



Перед проведенням ремонту, чищенням або технічним обслуговуванням слід завжди від'їднувати провід запалювання від свічки запалювання.



Тримайте дистанцію!

Описання рівнів попередження

Існує три рівні попередження.

НЕБЕЗПЕЧНО!



НЕБЕЗПЕЧНО! Використовуйтеся, якщо існує ризик травмування користувача або пошкодження навколишніх об'єктів внаслідок порушення інструкцій, наведених у цьому посібнику.

ВАЖЛИВО!

ВАЖЛИВО! Використовуйтеся, якщо існує ризик травмування користувача або пошкодження навколишніх об'єктів внаслідок порушення інструкцій, наведених у цьому посібнику.

УВАГА!

УВАГА! Використовуйтеся, якщо існує ризик пошкодження навколишніх об'єктів або пристрою внаслідок порушення інструкцій, наведених у цьому посібнику.

ПРАВИЛА БЕЗПЕКИ

Загальне

- Ці інструкції надаються для вашої безпеки. Прочитайте їх уважно.
- Перед запуском пристрою прочитайте всі інструкції в цьому посібнику користувача і на корпусі машини. Переконайтеся, що ви розумієте їх, а потім дотримуйтеся їх.
- Якщо у вас виникли будь-які проблеми чи запитання стосовно цього культиватора, зв'яжіться зі своїм дилером Husqvarna для отримання додаткової інформації.



НЕБЕЗПЕЧНО! Використовуйте машину лише за призначенням – для обробки ґрунту. Використання з іншою метою може бути небезпечним або може пошкодити машину.

- Дізнайтеся, як безпечно користуватися машиною та її елементами керування, а також як швидко її зупиняти. Окрім цього, необхідно навчитися розуміти зміст попереджувальних наклейок.
- Оператор машини несе відповідальність за виникнення будь-яких небезпечних ситуацій та ризику на, який наражаються люди та майно.
- Забороняється починати роботу з машиною на захищеному робочому місці, а також не маючи стійкої точки опори. Потрібно виявити будь-які перешкоди, що можуть мати непередбачувані наслідки. Будьте дуже уважні, працюючи на схилах.
- Дозволяйте користуватися машиною лише дорослим, ознайомленим із її роботою.
- Ніколи не дозволяйте користуватися машиною дітям та іншим особам, які не мають досвіду керування машиною чи її обслуговування. Вік користувача може регламентуватися місцевими законами.
- Не підпускайте до себе сторонніх людей. Діти, тварини, особи, що спостерігають чи допомагають вам працювати, повинні залишатися у безпечній зоні на відстані більше 20 метрів. негайно вимкніть інструмент, якщо хтось підійде.
- В жодному разі не користуйтеся інструментом, якщо ви втомлені, вживали спиртні напої, чи приймаєте ліки, що можуть негативно вплинути на ваш зір, свідомість чи координацію рухів.
- Зверніть особливу увагу на твердість поверхні. Машина значно менш стабільна на оброблюваній землі.



НЕБЕЗПЕЧНО! Під час роботи, цей інструмент створює електромагнітне поле. Це поле може за деяких умов взаємодіяти з активними чи пасивними медичними імплантатами. Для зменшення ризику серйозних або смертельних травм перед початком роботи з інструментом ми рекомендуємо особам з медичними імплантатами проконсультуватися із своїм лікарем та виробником медичного імплантату.

- Ніколи не використовуйте машину босоніж. Завжди носіть захисні туфлі або черевики, найкраще зі сталевим носком. Ніколи не носіть вільний одяг, коштовності чи аналогічні речі, що можуть потрапити в рухомі частини. Використовуйте засоби захисту органів слуху, щоб звести до мінімуму ризик порушення слуху.

Підготування

- Огляньте зону, де ви працюватимете. Видаліть усі окремі незакріплені предмети, що можуть потрапити під машину, такі як каміння, розбите скло, цвяхи, металеві дроти, мотузки тощо.
- Перевірте всю машину перед запуском. Замініть зношені або пошкоджені деталі. Переконайтеся, що немає витоку палива, захисні деталі та кожухи в наявності та надійно закріплені. Перевірте закріплення гвинтів і гайок.
- Переконайтеся, що електричні кабелі не ушкоджені та в гарному стані.

Застосування

- Ніколи не використовуйте машину для перевезення людей.
- Також важливими елементами використання за призначенням є відповідність умовам експлуатації, обслуговування та ремонту, зазначеним виробником, та їх суворе дотримання.
- Вимикайте двигун, коли машина не використовується.
- Забороняється бігти з інструментом, можна лише йти.
- Будьте особливо пильні під час притягування машини до себе чи зміни напрямку обертання.
- Тримайтеся на безпечній відстані від встановлених по довжині рульової колонки лопатей, що обертаються. Тримайте руки і ноги на відстані від лез, що обертаються.
- Двигун і система випуску сильно нагріваються під час роботи. Торкання може спричинити опіки.
- Використовуйте інструмент тільки при денному світлі або за інших умов доброго освітлення.
- Не використовуйте машину на ділянках із нахилом понад 20 °.
- Переміщуйте машину впоперек схилу, а не вгору чи вниз.



НЕБЕЗПЕЧНО! Ні за яких обставин не впроваджуйте жодних змін у оригінальну конструкцію машини без схвалення таких змін виробником. Використовуйте тільки оригінальні запчастини. Внесення змін чи використання аксесуарів, не схвалених виробником, може призвести до травми користувача чи інших людей, або до смертельних наслідків.

У разі використання неоригінальних деталей гарантія анулюється.

ПРАВИЛА БЕЗПЕКИ

Негайно вимкніть двигун за наступних ситуацій:

- Надмірні вібрації та/або шум.
- Механічне заїдання, що запобігає обертанню у двигуні.
- Труднощі з увімкненням чи вимкненням зчеплення.
- Зіткнення зі стороннім об'єктом.
- Погіршення стану кабелю зупинки двигуна.

У випадку пошкодження чи розірвання кабелю зупинки двигуна скористайтеся стартером, щоб вимкнути двигун. Докладніша інформація доступна в розділі, присвяченому запуску двигуна

Дайте інструменту час, щоб охолонути. Від'єднайте провід високої напруги від свічки запалювання. Перевірте, чи не пошкоджено машину. Якщо машину пошкоджено, передайте її до уповноваженого сервісного центру для ремонту.

Обслуговування

- Завжди зупиняйте двигун перед ремонтом, чищенням, обслуговуванням або заміною деталей та інструментів.
- Для безпечного користування і для підтримки належного рівня продуктивності необхідне регулярне технічне обслуговування.
- Перед зміною інструментів на машині надягайте спеціальні рукавички для важких умов.
- Заміняйте рухомі лопати цілим комплектом для збереження їх збалансованої роботи. Завжди користуйтеся оригінальними запчастинами.
- Перевірте, щоб гайки і гвинти були добре затягнуті.
- Ніколи не користуйтеся інструментом із несправним глушником. Зверніться до авторизованої майстерні з обслуговування.

ВАЖЛИВО! Для вашої власної безпеки не змінюйте встановлені параметри машини. Не змінюйте настройки швидкості двигуна і не запускайте двигун на надто високій швидкості.

Транспортування та зберігання

- Дозвольте машині охолонути, перш ніж сховати її після роботи.
- Зберігайте машину і паливо таким чином, щоб не існувало ніякого ризику витіку або випаровування палива, що могло б викликати будь-які ушкодження.
- Машина повинна завжди зберігатися в сухому місці далеко від відкритого вогню, іскор або сильної спеки.
- Паливо та його випари дуже вогненебезпечні. Будьте обережні, працюючи з паливом і оливою. Пам'ятайте про небезпеку загоряння, вибуху та вдихання випарів.

- для зберігання чи перевезення палива користуйтеся відповідним посудом, призначеним для таких цілей.
- Не намагайтеся піднімати машину. Поводьтеся з машиною, враховуючи її вагу та поточну ситуацію.
- Будьте особливо обережні під час завантаження її на транспортний засіб чи причеп, а також під час відповідного вивантаження. Використовуйте належний борт.
- Використовуйте спеціальний причеп для транспортування машини. Закріпіть машину спеціальними ременями. Переконайтеся, що ніяку частину машини не стиснуто і не пошкоджено ременями. Радимо вкрити машину.
- Додаткова інформація про переміщення машини під час роботи доступна в розділі, присвяченому переміщенню.

Заправлення палива

- Перед заправленням завжди вимикайте двигун та дайте йому охолонути протягом декількох хвилин.
- Заправляйте паливний бак у добре провітрюваному приміщенні та з вимкненим двигуном.



НЕБЕЗПЕЧНО! Бензин – легкозаймистою рідиною. Будьте обережні та заправляйте на відкритому повітрі. Вогонь, відкрите полум'я і куріння заборонені.

Витріть кришку паливного баку та поверхню біля горловини. Після заправлення обережно, але щільно закрийте кришку. Якщо кришку паливного баку не затягнуто достатньо щільно, унаслідок вібрацій ця кришка може послабитися, що спричинить витікання палива з баку та ризик виникнення пожежі. Перемістіть інструмент принаймні на 3 м від пункту заправлення паливом перед тим, як запустити його.

- Пам'ятайте про небезпеку загоряння, вибуху та вдихання випарів. Забороняється заливати надто багато палива, так щоб воно виливалося назовні. Витріть усе пролите на землю та пристрій паливо. Якщо ви пролили паливо на себе чи на свій одяг. Переодягніться. Перемістіть пристрій принаймні на 3 м від місця заправлення паливом перед тим, як запустити його.
- Двигун виділяє окис вуглецю – безбарвний отруйний чадний газ. Не використовуйте машину в закритих приміщеннях.

МОНТАЖ ТА НАЛАШТУВАННЯ

Розпакування

Ілюстрація: 1 · 1

ВАЖЛИВО! Розрізаючи краї упаковки, будьте обережні та не обріжте кабелі й не пошкодуйте корпус машини.

Посилання	Вміст упаковки
A	Деталі двигуна
B	Компонент тримача
C	Головний компонент тримача
D	Допоміжне колесо
E	Кермо
F	Чохол для зубців
G	Скоба чохла для зубців
H	Перемикач швидкості
I	Лопаті
J	Круглі лопаті
K	З'єднувач
L	Нижній чохол для впорядкування кабелів
M	Сумка для інструментів
N	Сумка для металевих частин
O	Окрема сумка для зубців

Монтаж

Ілюстрація: 1 · 2



НЕБЕЗПЕЧНО! Неправильне збирання цього роторного культиватора може призвести до серйозних травм. Переконайтеся, що ви точно дотримуєтеся всіх інструкцій.

- Установка лопатей із зубцями На ілюстрації відображаються лише збирання лопатей на правому боці. Переконайтеся, що гострі краї напрямлено на один бік у зубцях як ліворуч, так і праворуч. (Малюнок 1 - 6)
- Установлення допоміжного колеса. (Малюнок 7)
- Установлення з'єднувача. (Малюнок 8)
- Установлення керма. (Малюнок 9)
- Установлення ручки. (Малюнок 10)
- Відрегулюйте висоту ручки та надійно затягніть фіксуючі голівки. (Малюнок 11)
- Установлення перемикача зчеплення. (Малюнок 12)
 - Поверніть у потрібний бік і затягніть болт.
- Установлення нижнього чохла для впорядкування кабелів. (Малюнок 13 - 14)
 - Упорядкуйте кабелі.
 - Правильно встановіть гумовий тримач.
 - Установіть чохол і закрутіть гвинти.

- Установлення чохла для зубців. (Малюнок 15 - 17)
 - Не закручуйте болт відразу після встановлення.
 - Спочатку розмістіть усі 4 болти та гайки, а потім закрутіть по черзі.
- Установлення перемикача швидкостей. (Малюнок 18)

Будь-який демонтаж повинен виконуватися лише працівниками авторизованого сервісного центру.

УВАГА! Після повного збирання машини повільно затягніть болти і гвинти. Не затягуйте надто сильно.

Опис компонентів

Ілюстрація: 1 · 3

- 1 Двигун
- 2 Чохол для зубців
- 3 Допоміжне колесо
- 4 Кришка для ременя
- 5 Круглі лопаті
- 6 Кермо
- 7 Ручка
- 8 Перемикач швидкості
- 9 Бампер
- 10 Перемикач зчеплення
- 11 Перемикач увімкнення/вимкнення
- 12 Регулятор дроселя
- 13 Верхній чохол для впорядкування кабелів
- 14 Нижній чохол для впорядкування кабелів

Табличка технічних даних

Ілюстрація: 1 · 4

Транспортне колесо

Ілюстрація: 1 · 5

A= Робоче положення

B= Положення для транспортування

ПУСК ТА ВИМИКАННЯ

Перед початком роботи

- Перевірте рівень оливи у двигуні і за необхідності долийте її. Ілюстрація: 2 · 1
- Перевірте рівень оливи в коробці передач і за необхідності долийте її. Ілюстрація: 2 · 2
- Перевірте рівень палива. За необхідності додайте палива. Ілюстрація: 2 · 3
 - Рекомендується використовувати: Октанове число понад 90.

Запустіть пристрій.

- Відкрийте паливний кран. Ілюстрація: 2 · 4
- Переведіть перемикач повітряної заслінки в положення А. Ілюстрація: 2 · 5
- Перемикач швидкості Ілюстрація: 2 · 6
 - Установіть перемикач швидкості в положення 'N' (нейтральне положення).

N

- Регулятор дроселя Ілюстрація: 2 · 7
 - Перемістіть регулятор дроселя в положення повністю відкритої дросельної заслінки.



- Перемістіть перемикач увімкнення/вимкнення в положення ON (УВИМК.) для переходу в режим початкового положення дроселя. Ілюстрація: 2 · 8
- Потягніть ручку стартера Ілюстрація: 2 · 9



НЕБЕЗПЕЧНО! Під час запуску машини залишайтеся в безпечній зоні.

- Переведіть перемикач повітряної заслінки в положення В. Ілюстрація: 2 · 10

Застосування

Ілюстрація: 3 · 1



НЕБЕЗПЕЧНО! Не підпускайте до себе сторонніх людей. Діти, тварини, особи, що спостерігають чи допомагають вам працювати, повинні залишатися у безпечній зоні на відстані більше 20 метрів. Негайно вимкніть інструмент, якщо хтось підійде.

Вперед

- Керуйте швидкістю за допомогою перемикача швидкостей.

Повільно

1

Швидко

2

- Натисніть перемикач блокування на ручці (А) та перемістіть важіль керування зчепленням у бік ручки (В).
- Культиватор починає обертання, коли ви переміщуєте зчеплення по напрямку до ручки, та припиняє обертатися, коли ви відпускаєте зчеплення.

Задній хід

Ілюстрація: 3 · 2

ВАЖЛИВО! Культиватор починає обертання, коли ви переміщуєте зчеплення по напрямку до ручки, та припиняє обертатися, коли ви відпускаєте зчеплення. Важливо відпускати важіль зчеплення перед перемиканням швидкості на зворотній хід.

- Перемістіть перемикач у положення 'R'.

R



НЕБЕЗПЕЧНО! Використання зворотнього ходу небезпечно! Переконайтеся, що позаду вас немає ніяких перешкод, і зменшіть оберти двигуна перед застосуванням зчеплення.

- Натисніть перемикач блокування на ручці (А) та перемістіть важіль керування зчепленням у бік ручки (В).

Вимкнення

- Відпустіть важіль зчеплення. Ілюстрація: 4 · 1
- Установіть перемикач швидкості в положення 'N' (нейтральне положення). Ілюстрація: 4 · 2

N

- Перемістіть регулятор дроселя в положення MIN. Ілюстрація: 4 · 3



- Щоб вимкнути двигун, натисніть вимикач. Ілюстрація: 4 · 4
- Закрийте паливний кран. Ілюстрація: 4 · 5

Переміщення машини

Ілюстрація: 5 · 1

- Перед тим як перейти в інше місце, вимкніть двигун. Див. інструкції в розділі зупинення.
- Установіть колесо в положення руху. (Малюнок А)
- Установіть ручки керма в нижню положення для полегшення процесу переміщення машини. (Малюнок В)
- Підніміть лопаті за ручки керма та рухайтеся вперед. (Малюнок С)

ОБСЛУГОВУВАННЯ

Графік технічного обслуговування

Подано перелік заходів технічного обслуговування, які слід виконувати.

Технічне обслуговування	Ілюстрація	Щоденне обслуговування перед початком роботи	Інтервали технічного обслуговування в годинах			
			20 годин або щомісяця	50 годин або кожні 3 місяці	100 годин або кожні 6 місяців	300 годин або щороку
Очистіть машину.		X				
Переконайтеся, що гайки та гвинти затягнуто і не пошкоджено.		X				
Прочистіть повітряний фільтр. Замініть в разі потреби.	4 · 6	X		X*		X**
Перевірте рівень оливи у двигуні	2 · 1	X				
Перевірте рівень оливи в коробці передач і за необхідності долийте її.	2 · 2	X				
Перевірте, чи немає витоку палива, моторної оливи та мастила.		X				
Перевірте рівень палива. За необхідності додайте палива.	2 · 3	X				
Якщо інструмент починає незвично вібрувати, необхідно негайно перевірити його.		X				
Замініть оливу і мастило у двигуні та коробці передач.			X			
Очистіть паливний фільтр і його навколишні компоненти.					X	X**
Замініть оливу і мастило у двигуні та коробці передач.					X	
Очистіть свічку запалювання та її ковпачок.					X	
Необхідно замінити свічку запалювання						X
Перевірте/відрегулюйте рух клапанів двигуна						X**
Очистіть камеру згоряння						X**
Перевірте паливний контур						X**

* Виконуйте процедуру чищення частіше за роботи в умовах, де повітря забруднене пилом та іншим сміттям.

** Не важливо, якщо немає проблем із продуктивністю. Зверніться до авторизованої майстерні з обслуговування.



НЕБЕЗПЕЧНО! Зніміть фільтр із пінопласту. Промийте його ретельно у теплій мильній воді. Після чищення та промивання ретельно прополоскати фільтр у чистій воді. Віджати фільтр та дати висохнути. **ЗВЕРНІТЬ УВАГУ!** Стиснене повітря високого тиску може пошкодити піну. Не використовуйте стиснене повітря або розчинники на основі нафти для очищення повітряного фільтра.

Загальне



НЕБЕЗПЕЧНО! Перед проведенням ремонтних робіт, очищення або перевірки машина повинна бути у стані спокою та з вимкненим двигуном. Забороняється виконувати регулювання за увімкненому двигуна.

Завжди користуйтеся оригінальними запчастинами.

- Зніміть прикраси, годинники та аналогічні речі перед чищенням, ремонтом або оглядом машини.

Не змінюйте конструкцію захисного обладнання. Регулярно перевіряйте обладнання, щоб переконатися, що воно працює належним чином.

Завжди будьте обережні та керуйтеся здоровим глуздом. Уникайте ситуацій, які виходять за межі ваших можливостей. Якщо після ознайомлення з інструкціями у вас залишаться сумніви щодо того, як користуватися інструментом, перед продовженням необхідно проконсультуватися у спеціаліста. Зверніться до авторизованої майстерні з обслуговування.

ТЕХНІЧНІ ДАНІ

Технічні дані

	TF230
Ширина зрізання, мм	750
Глибина зрізання, мм	150 - 300
двигун	WM168FB/P-2
Пальне	Бензин
Їмність паливного бака, американських рідких унцій/л	3,6
Об'єм мастильного баку, л	0,6
Об'єм циліндрів, см ³	196
Макс. потужність, к.с. (кВт) @ обертів на хвилину	4,7 (3,45) @ 3100
Передачі	R, N, 2, 1
Місткість оливи в коробці передач, літри	0,95
Вага брутто, кг	86,5
Вага нетто, кг	66,5
Розмір упаковки, мм	845x480x780
Сертифікація	CE, EAC

ВАЖЛИВО! Коли термін служби цього продукту минув, і він більше не використовується, його слід повернути до дилера або у відповідне місце для утилізації.

ВАЖЛИВО! Ми залишаємо за собою право змінювати технічні характеристики та конструкцію, а також впроваджувати вдосконалення без попереднього повідомлення. Зауважте, що жодні правові претензії на основі інформації, що міститься в цьому посібнику, не є дійсними. Для ремонту використовуйте лише оригінальні деталі. У разі використання неоригінальних деталей гарантія анулюється.

декларація відповідності стандартам Європейського Союзу (Лише для країн Європи)

Ми, Husqvarna AB, SE-561 82 місто Хускварна, Швеція, телефон: +46-36-146500, заявляємо під свою виключну відповідальність, що культиватори Husqvarna TF 230 та TF 338 із серійними номерами, починаючи з 1447000096 для TF 230 та 1447000139 для TF 338 (серійний номер зазначено нешифрованим текстом на заводській табличці технічних даних), відповідають вимогам ДИРЕКТИВ РАДИ ЄС:

від 17 травня 2006 р. "гостосовно механічного обладнання" 2006/42/ЕС.

від 15 грудня 2004 р. "про електромагнітну сумісність" 2004/108/ЄЕС.

Застосовано такі гармонізовані стандарти: EN 709:1997, A4:2009

Husqvarna 10 грудня 2014



Клаес Лосдал (Claes Losdal), директор із питань розвитку/продукція для садівництва
(Уповноважений представник компанії Husqvarna AB, що відповідає за технічну документацію.)

Original instructions
ОригиналниЖинструкции
Основні інструкції

1157450-38



2015-01-14