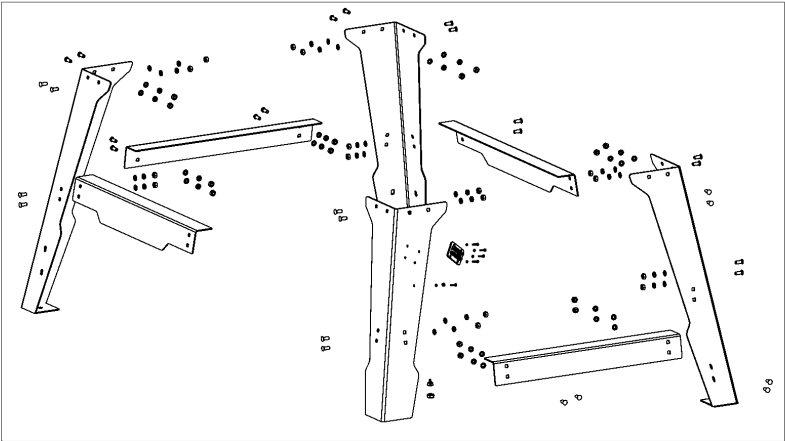


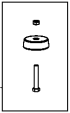
1001

73



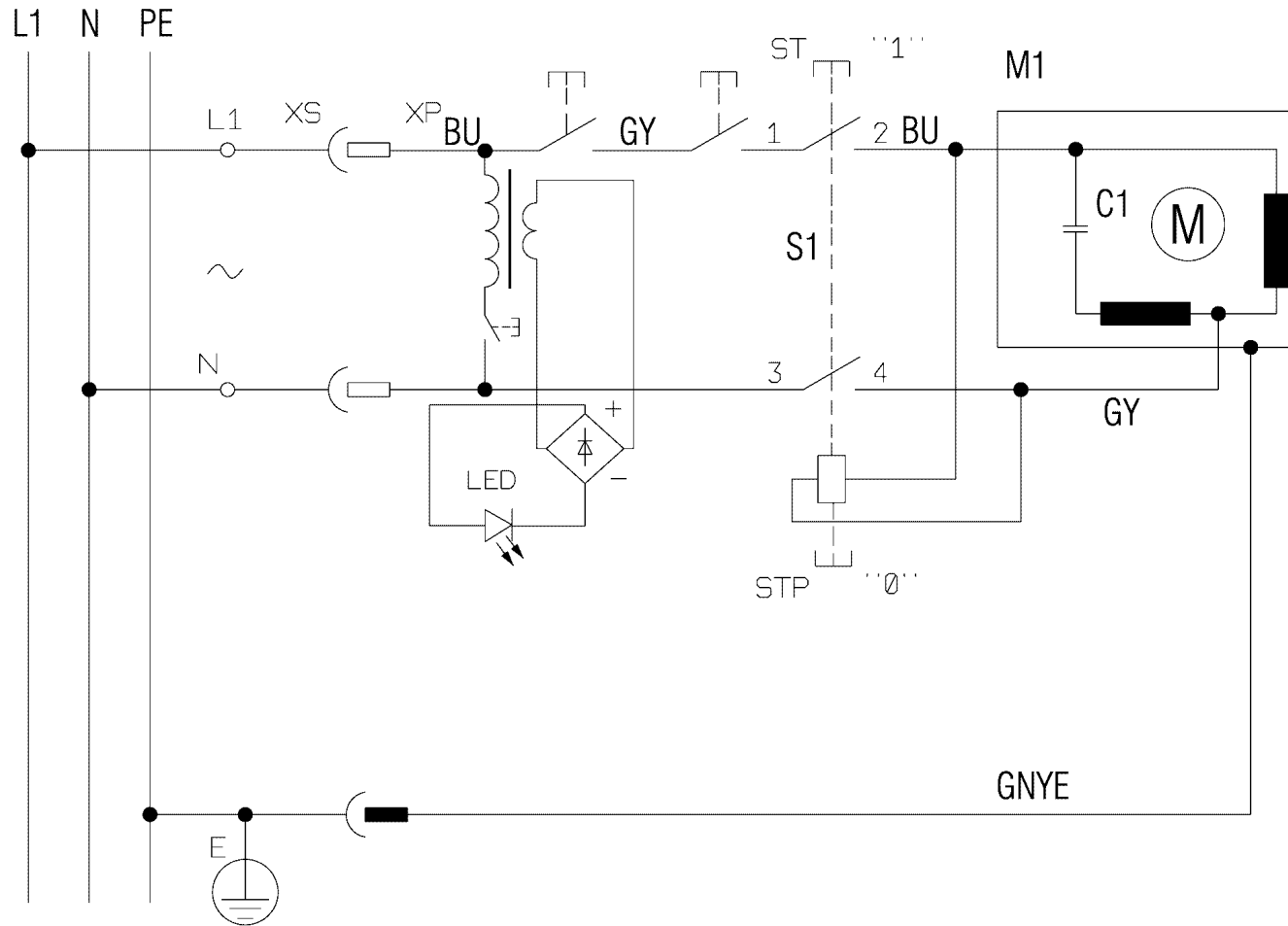
80

81



Позиция	Количество	Номер для заказа	Описание	PG
1	2	141180110	Retaining ring	12
2	2	344101930	bandsaw bandage	17
3	1	315419740	BANDSAW WHEEL, UPPER	35
4	4	143114460	Ball bearing	19
5	1	343411350	Switch	27
6	1	343411470	Safety switch cpl.	29
7	4	141113290	Hexagon head screw	11
8	4	141150130	Washer	11
9	1	343433180	Push stick	15
10	1	343443710	Cover cap	13
11	4	141155240	Lock washer	12
12	2	316095120	Guard button comp.	17
13	2	341166550	Door lock system	22
14	1	316095600	SAWBAND GUARD compl.	15
15	1	316095610	HEIGHT-ADJUSTMENT cpl.	17
16	4	141130100	Hexagonal nut	11
17	1	343443820	Suction adaptor	16
18	1	341519690	Bearing bolt	20
19	1	316095620	Clamping device cpl.	19
20	4	141124160	Screw,M6 x 20	12
21	6	141124560	RAISED CHEESE HEAD SCREW	11
22	1	339148500	Bevel Detent Lock Hook	14
23	1	316095630	TENSION ROLLER cpl.	24
24	1	143111440	Ball bearing, 12x28x8	27
25	4	141113680	Cap screw	12
26	4	141190480	Washer	11
27	4	141150270	Spring washer	11
28	1	344081750	BRUSH STRIP cpl.	14
29	4	141113710	Cap screw	12
30	1	141130200	Hex nut	13
31	1	141180110	Retaining ring	12
33	1	316095640	THREE-ROLLER GUIDE lower cpl.	27
34	1	316095650	Lower Pulley cpl.	34
35	1	7233190017	POLY-RIB BELT 4 PJ 610	24
40	1	316095660	SAWBAND GUARD compl.	29
41	1	316095670	THREE-ROLLER GUIDE top compl.	27
42	6	143111090	Ball bearing, 10x30x9	24
44	1	316095680	GUIDE EXTRUSION cpl.	33
47	4	343443770	Thumbscrew	16
49	1	316095690	Table insert assembly compl.	11
50	1	316095700	BANDSAW TABLE cpl.	63

Позиция	Количество	Номер для заказа	Описание	PG
51	1	316095710	TABLE TRUNNION cpl.	50
53	1	316095720	Parallel guide compl.	40
60	1	343443830	CHIP CASE	26
61	1	316095730	Door cpl.	41
62	1	343443720	Star grip screw	19
63	1	316095740	Adjustment set for blade tension cpl.	23
64	1	316095750	Quick release function	26
65	1	341166470	Operating lever	19
66	1	316095760	Angular guide compl.	29
67	1	316095770	Front profile cpl.	21
68	1	317004790	Motor compl.,230V	59
69	1	316095780	Taper groove pulley cpl.	29
72	1	316095790	ROLLER GUIDE ASSEMBLY	30
73	1	316095800	WHEEL SET cpl.	34
74	1	316095110	Table side extension compl.	31
75	2	316095130	Carry handle comp.	25
76	1	316095810	LED lense cpl.	20
77	1	344530940	Cable compl.	25
79	1	316095820	Tool holder col.	12
80	1	316095830	WORKSTAND cpl.	52
81	1	316095840	Screw set compl.	27
82	1	338067100	Rating plate	11
83	1	343255130	capacitor	23
84	1	343445370	FAN WING	18
85	1	339204860	cover	19
1001	1	338506180	Wiring diagram	



M1: induction motor 220-240V / 50-60Hz  
 S1: KJD12  
 C1: 22 $\mu$ F