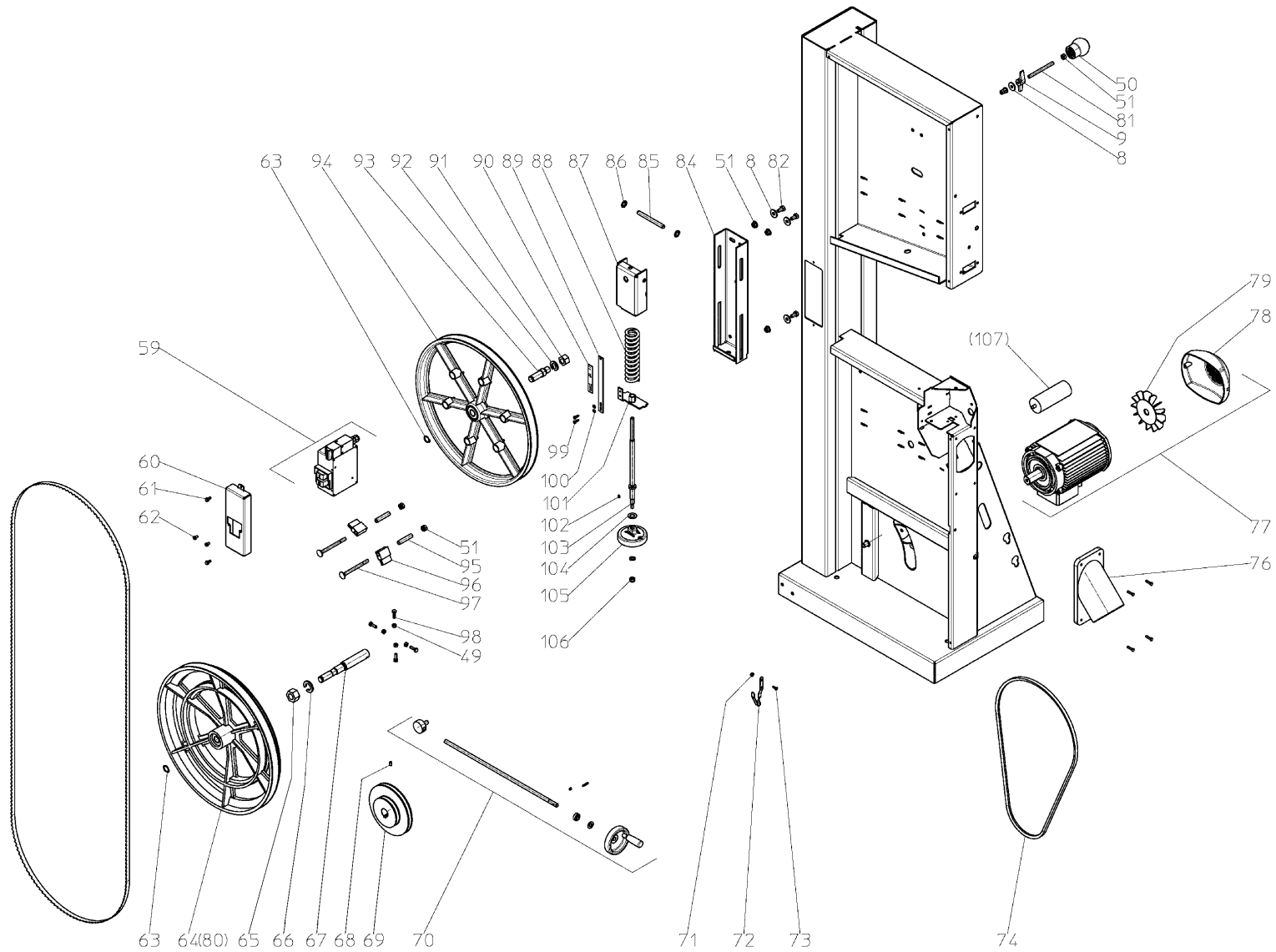


	Litzenfarben	Color of strands	Couleur des cordons
BK	Schwarz	Black	Noir
WH	Weiß	White	Blanc
BU	Blau	Blue	Bleu
YE	Gelb	Yellow	Jaune
RD	Rot	Red	Rouge
TR	Transparent	Transparent	Transparent
BN	Braun	Brown	Brun
GY	Grau	Grey	Gris
GNYE	Grün-gelb	Green-yellow	Vert-jaune
BKWH	Schwarz-weiss	Black-white	Noir-blanc
GN	Grün	Green	Vert
OG	Orange	Orange	Orange
VT	Violett	Violet	Violet
TQ	Türkis	turquoise	Turquoise

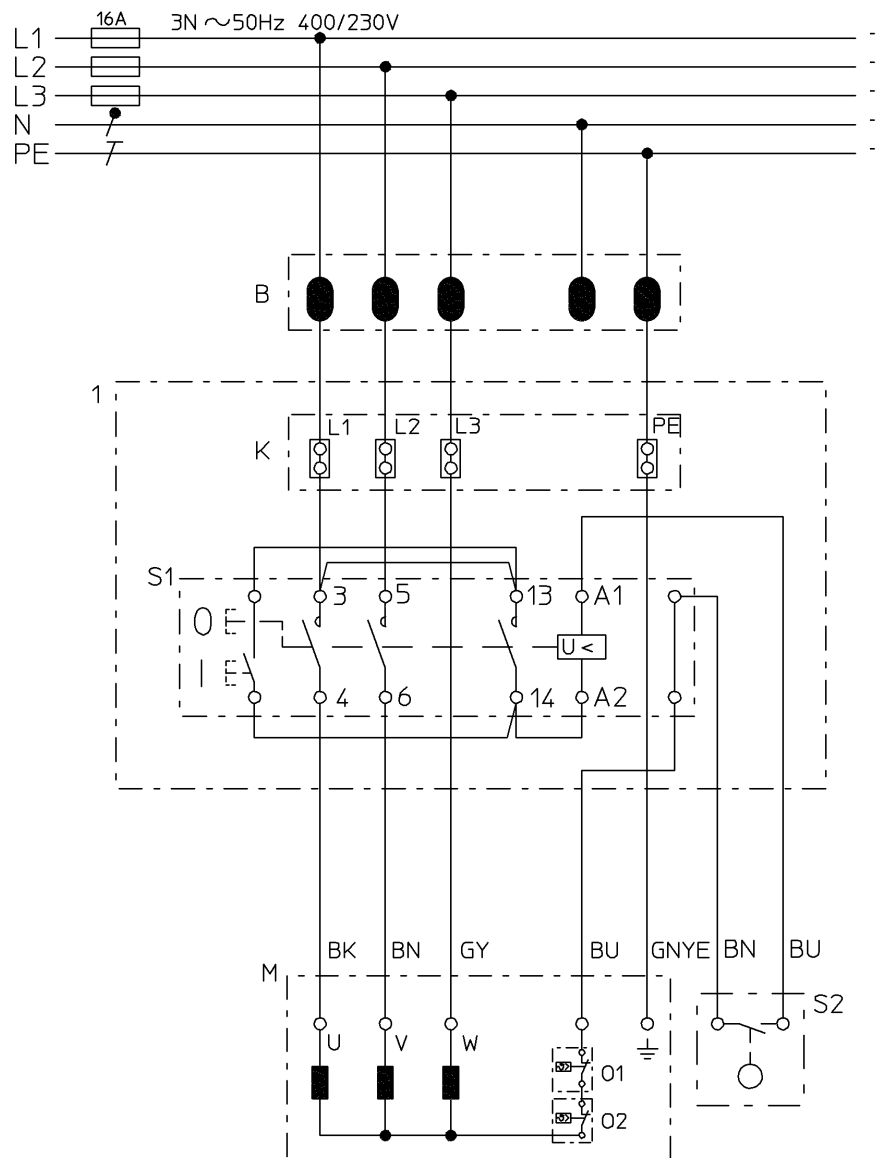
	Bedeutung der Kurzzeichen	Meaning of the symbols	Interprétation des symboles
B	Stecker	Plug	Fiche
C	Kondensator	Condenser	Condensateur
D	Funkentstördrossel	Interference suppression inductance	Inductance d'antiparasitage
E	Elektronik-Baustein	Electronic unit	Unité électronique
I	Induktionsspule	Induction coil	Bobine d'inductance
K	Klemme	Terminal	Borne
L	Licht	Light	Lumière
M	Motor	Motor	Moteur
O	Überlastschutz	Overload cut-out	Déclencheur de surintensité
R	Drehrichtungs-umschalter	Reversing switch	Commutateur droite-gauche
S	Schalter	Switch	Interrupteur
U	Umschalter	Change-over switch	Commutateur
X	Elektronik-Element	Electronic element	Élément électronique



Позиция	Количество	Номер для заказа	Описание	PG
1	2	1380085514	TOOTHED RACK 13 MM	14
2	1	141150430	Serrated lock washer	11
3	6	6123084703	RAISED CHEESE HEAD SCREW M 4X20 VERZ.	11
4	1	1381419360	LATERAL SLIDE 64,8X120	21
5	1	1383419430	BLADE GUIDE TUBE EXTRUSION 600 MM	43
6	1	6110017942	Truss head screw	11
7	1	1382083667	BOLT GUIDE BL 1,5X22X60	11
8	7	141151340	Washer	11
9	2	7005135529	Thumb-nut	12
10	1	6163121261	Grub screw	11
11	1	1380406469	SEAT, THREE-ROLLER GUIDE OBEN	25
12	2	141122870	Self-tap. fill. h. screw	11
13	1	1485409005	RETAINING BOLT RD 16/14,5X65	26
14	2	6241125058	Knurled nut	12
15	2	1385693105	BEARING BUSH RD 18X46	26
16	2	1385693113	KNURLED THUMB NUT M 16X1	20
17	3	1485415544	THRUST BEARING RD 25/8X28 GEHÄRTET	26
18	1	1380419161	CASING, THREE-ROLLER-GUIDE GROß	33
19	1	1385419178	BUSHING RD 16X41	23
20	1	1382692671	TABLE INSERT BL 2,00X69X70,5	18
21	1	1009720940	GUIDE EXTRUSION MIT SKALA BAS 505	30
22	4	6150421509	THUMB SCREW RED M 8X18	13
23	1	1009720924	TABLE ASSEMBLY BAS 505	58
24	1	1382713008	SAWBAND GUARD BL 1,50X63,5X96 BAS505	25
25	1	1382693201	GUARD PLATE BL 1,50X103X177	25
26	3	6143075468	KNURLED THUMB SCREW M 6X16 / RD 20 VERZ.	12
27	3	1009719829	THRUST BEARING BAS 317 PRECISION	21
28	2	1009719870	BEARING BUSH BAS 317 PRECISION	19
29	1	1009719810	THREE-ROLLER GUIDE BAS 317 PRECISION	32
30	1	1382723186	REINFORCING PLAT BL 1,50X152X730 BAS505	30
31	1	1009740356	Clamp hook cpl.	24
32	1	1382723127	DOOR, UPPER BL 1,50X636X702 BAS505	42
33	1	1382723178	CONNECTING PLATE	30
34	1	1382723151	Door cpl.	42
35	4	1321712858	BOLT-ON HINGE 40X40	19
36	2	6241125058	Knurled nut	12
37	12	141151940	Washer	11
38	1	1009693307	FENCE CARRIER INCL.VORSATZPROFIL BAS 505	32
39	2	1392201587	GUIDE PLATE, FLIPSTOP	11
40	2	6110052292	CUP SQUARE NECK SCREW M 6X50 VERZ.	11
41	1	1383693051	AUXILIARY FENCE EXTRUSION 450 MM	31

Позиция	Количество	Номер для заказа	Описание	PG
42	1	1009739676	Door lock system BAS 317 PRECISION	17
43	1	1009719942	TABLE TRUNNION BAS 317 PRECISION	37
44	2	141113900	Cap screw	12
45	1	1381692694	SETTING KNOB, LOCK ACTION	18
46	5	141130650	Hexagonal lock nut	12
48	1	343433180	Push stick	15
49	11	141130100	Hexagonal nut	11
50	2	1388698264	KNOB, RED	17
51	8	6209110995	Flange nut	11
52	12	141150540	Saucer spring	11
53	1	1009008876	THREADED BOLT WITH GEAR	30
54	3	141113290	Hexagon head screw	11
55	1	1382046028	STAY BRACKET BL 1,5X33X82	13
57	2	1380404164	GUIDE EXTRUSION	18
58	3	6110000608	CUP SQUARE NECK SCREW	11
59	1	8132744492	SWITCH DN N=4000	54
60	1	1382692981	SWITCH ENCLOSUR BL 2,00X120,5X270	30
61	4	6144063978	HEX.HEAD COLLAR DRILLING SCREW	11
62	3	141123420	Self-tapp. counters. screw	11
63	4	141180110	Retaining ring	12
64	1	1009010870	LOWER BANDSAW WHEEL ASSEMBLY	61
65	1	6200046208	HEXAGON NUT M 20X1,5 VERZ.	12
66	1	6301047329	SPRING LOCK WASHER B 20 VERZ.	11
67	1	1485721688	BEARING SHAFT RD 25X170 BAS505	31
68	1	6161050910	HEX. SOCKET SET SCREW, FLAT PT M 6X12 VE	11
69	1	7240043275	V-BELT PULLEY SPZ DW 116X1 BOHRUNG 24 NU	35
70	1	1009744823	belt clamping system	30
71	2	6209620098	FLANGE NUT	11
72	1	7052740210	LEAF SPRING BAS 317	11
73	1	141113040	Fillister head screw	11
74	1	7230664514	V-belt	25
76	1	1009707596	DUST EXTRACTION PORT MIT DURCHGREIFSCHUT	27
77	1	8013719285	ELECTRIC MOTOR 1,90 DNB M.BR. (BAS)	61
78	1	1331408847	FAN COVER 120/13	14
79	1	1331408839	FAN WING 120/13 WELLEND. 16	13
80	2	7232047415	BANDSAW TYRE 445X2,5X24 65 SHORE	29
81	1	1485208140	THREADED ROD M 8X94	13
82	3	6103001178	Hex head screw	11
84	1	1009732620	TENSION BRACKET	33
85	1	6500087283	PARALLEL PIN 10 h11X100	15
86	2	7016050711	STARLOCK	11

87	1	1382721493	TENSION BRACKET BL 2,99X152,5X256,5 BAS5	32
88	1	7051697094	PRESSURE SPRING D=7,5/DE=40/LO=160	26
89	1	1382721540	SCAL BL 1,50X16X180 BAS505	18
90	1	1141721468	ADHESIVE LABEL CLEAR/BLACK 16X90 BLATTSP	19
91	1	6200050477	HEXAGON NUT M 16X1,5 VERZ.	11
92	1	6301000292	SPRING LOCK WASHER B 16 VERZ.	11
93	1	1485704023	BEARING SHAFT RD 21X70 BAS505	27
94	1	1388198580	UPPER BANDSAW WHEEL ASSEMBLY	55
95	2	6442084643	SPACER SLEEVE RD 10,7/8,5X50 VERZ.	16
96	2	9132081414	BRUSH STRIP	20
97	2	6110082701	CUP SQUARE NECK SCREW M 8X100 VERZ.	12
98	4	141110270	Hexagon head screw	11
99	2	6172001821	Fillister head screw	11
100	2	141150010	Washer	11
101	1	1382721523	PRESSURE PLATE BL 2,99X76X88 BAS505	20
102	1	6721060355	FEATHER KE A 3X3X8 VERZ.	13
103	1	1485692866	SPINDLE, HEIGHT ADJUSTMENT RD 20X304,5	35
104	1	7104693142	CHECK WASHE GTM-1224-015	15
105	1	7003079524	HANDWHEEL	25
106	2	6202002305	HEXAGON NUT, PREV. TORQUE TYPE	11
107	1	399999990	Part not needed	
1001	1	338505610	Wiring diagram,400V	



	Litzenfarben	Color of strands	Couleur des cordons
BK	Schwarz	Black	Noir
WH	Weiß	White	Blanc
BU	Blau	Blue	Bleu
YE	Gelb	Yellow	Jaune
RD	Rot	Red	Rouge
TR	Transparent	Transparent	Transparent
BN	Braun	Brown	Brun
GY	Grau	Grey	Gris
GNYE	Grün-gelb	Green-yellow	Vert-jaune
BKWH	Schwarz-weiss	Black-white	Noir-blanc
GN	Grün	Green	Vert
OG	Orange	Orange	Orange
VT	Violett	Violet	Violet
TQ	Türkis	turquoise	Turquoise

	Bedeutung der Kurzzeichen	Meaning of the symbols	Interprétation des symboles
B	Stecker	Plug	Fiche
C	Kondensator	Condenser	Condensateur
D	Funkentstördrossel	Interference suppression inductance	Inductance d'antiparasitage
E	Elektronik-Baustein	Electronic unit	Unité électronique
I	Induktionsspule	Induction coil	Bobine d'inductance
K	Klemme	Terminal	Borne
L	Licht	Light	Lumière
M	Motor	Motor	Moteur
O	Überlastschutz	Overload cut-out	Déclencheur de surintensité
R	Drehrichtungs-umschalter	Reversing switch	Commutateur droite-gauche
S	Schalter	Switch	Interrupteur
U	Umschalter	Change-over switch	Commutateur
X	Elektronik-Element	Electronic element	Élément électronique