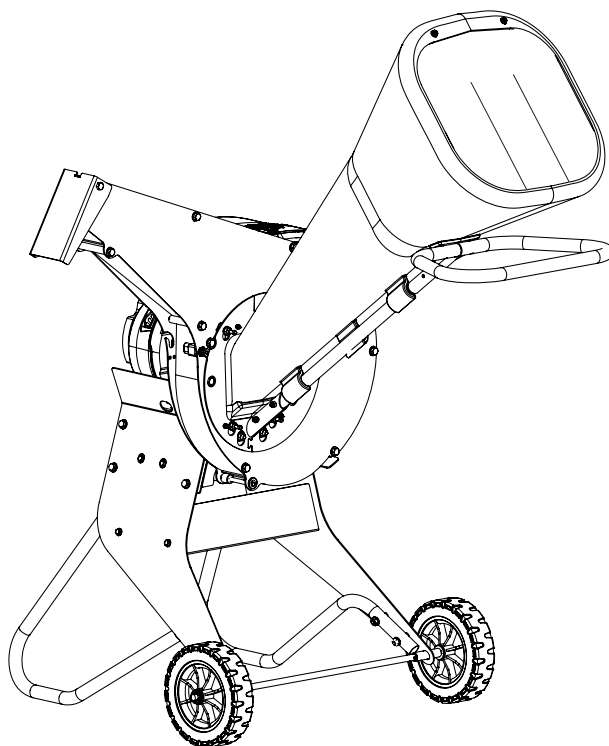


NOTICE D'UTILISATION / OPERATING INSTRUCTIONS
ИНСТРУКЦИЯ ПО ЭКСПЛУАТАЦИИ

BROYEUR DEVOR - X60S
DEVOR - X60S SHREDDER
ДРОБИЛКА DEVOR - X60S

Notice originale - Original instructions - Оригинальная инструкция



CONSIGNES DE SECURITE

Pour votre sécurité et votre confort d'utilisation, la lecture complète de ce manuel est obligatoire.

SAFETY INSTRUCTIONS

For your safety and ease of use, this manual must be read in its entirety.

ПРАВИЛА ТЕХНИКИ БЕЗОПАСНОСТИ

Для вашей безопасности и удобства эксплуатации полное прочтение этого руководства обязательно.

X / ANOMALIES DE FONCTIONNEMENT

FR



a) La machine ne démarre pas (utilisateur)

- Vérifier le niveau d'essence
- Vérifier que le fil de bougie soit bien branché.
- Vérifier que la trappe de débouillage soit correctement verrouillée (Lever de serrage vissé a fond pour appuyer sur le contacteur)
- Vérifier que la goulotte soit fixée correctement. (La bride doit appuyer sur le contacteur)

b) Les couteaux ne coupe plus (utilisateur)

- Affûter les couteaux à l'aide d'une pierre à affûter en respectant les angles de coupes. (Pour un meilleur résultat nous vous conseillons de les faire affûter par un professionnel.)
- Remplacer les couteaux si ceux-ci sont trop ébréchés.

XI / ENTRETIEN

Moteur arrêté bougie débranchée.
Attendre que le moteur ait refroidi pour éviter tout risque de brûlures
Porter des gants de protection.



a) Contrôles avant chaque utilisation :

(Utilisateur)

- Vérifier l'état des couteaux (les couteaux ne doivent pas comporter de fissures) et leur fixation sur le disque (présence vis de fixations).
- Vérifier l'état du déflecteur et sa fixation.
- Vérifier l'état et la fixation de la bavette.
- **Vérifier l'état du faisceau électrique.** Attention si le faisceau était coupé l'ouverture de la trappe ou le fait que la goulotte ne soit pas en place ne couperait pas automatiquement le moteur ce qui deviendrait extrêmement dangereux.
- Vérifier le niveau d'huile moteur et refaire le niveau vidange toutes les 50 heures environ (se reporter à notice moteur).
- Vérifier le niveau d'essence.

b) Contrôles périodiques toutes les 20 heures d'utilisation

(Utilisateur)

- Vérifier l'affûtage des couteaux (les couteaux ne doivent pas être émoussés).
- Vérifier leur fixation sur le disque du rotor. (présence vis de fixation) (24N.M).
- Vérifier que les écrous boulons et vis sont bien serrés.
- Graisser les axes de roues.

c) Contrôle annuel ou toutes les 50 heures à faire effectuer par votre réparateur agréé

- Graisser le palier.
- Contrôler le bon fonctionnement du faisceau électrique coupe circuit.
- Contrôle de l'état du contre couteaux (jeu entre couteaux et contre couteaux 3mm)
- Remplacer les couteaux et les boulons de fixation par lot complet afin de préserver l'équilibre. Couple de serrage 24 N.M.

Attention seules les lames de coupes ainsi que les vis de fixations spécifiquement conçues pour votre broyeur doivent être utilisées.

XII / NETTOYAGE (Utilisateur)



- Après chaque utilisation.
 - Moteur arrêté bougie débranchée.
 - Attendre que le moteur ait refroidi pour éviter tous risques de brûlures.
 - Porter des gants de protection.
 - Utiliser de préférence, une balayette et une raclette pour nettoyer le broyeur.
- N'utiliser pas de nettoyeur haute pression** pour laver votre machine (oxydation, détérioration moteur, etc...). Un jet ordinaire à faible pression est toléré sur le carter.

INTRODUCTION

Dear Sir/Madam,

You've just bought one of our shredder and we'd like to thank you for the trust you've placed in our products. This manual has been produced so that you can learn about your new machine, use it under the best conditions and look after it.

Models are regularly improved to ensure that you benefit from technological developments, new equipment or materials and our experience; for this reason, the specifications and information contained in this manual may be changed without prior notice and without us being obliged to update them.

The illustrations in this manual show the most representative model for the subject being discussed. In the event of any problems or for any questions related to the machine, please contact an approved reseller.

Keep this manual close at hand for ease of consultation and if the machine is resold, ensure that the manual accompanies it.

This publication cannot be reproduced, even in part, without prior written authorisation.


TABLE OF CONTENTS

I. SAFETY INSTRUCTIONS	2 - EN
II. SAFETY LABELS	3 - EN
III. MACHINE IDENTIFICATION	4 - EN
IV. TECHNICAL INFORMATION	4 - EN
V. PREPARING THE SHREDDER	6 - EN
VI. USING THE SHREDDER	11 - EN
VII. STORAGE	12 - EN
VIII. TRANSPORT	13 - EN
IX. CHANGING THE BLADES (Wear gloves)	13 - EN
X. TROUBLESHOOTING	13 - EN
XI. MAINTENANCE	14 - EN
XII. CLEANING (User)	14 - EN

The enclosed spare parts catalogue (optional) is intended only for approved service agents


I / SAFETY INSTRUCTIONS


Pay special attention to information preceded by the following symbols :

 **WARNING:** Indicates a high likelihood of serious or fatal injury if the instructions are not followed.

CAUTION: Indicates likelihood of bodily injury or damage to the equipment if the instructions are not followed.

NB: Provides useful information.

 This symbol reminds you to take care when performing certain operations. If you have any problems or questions about the shredder, please contact an approved dealer.

 **WARNING:** The shredder is designed to provide safe and reliable service under the usage conditions described in the instructions. Before using your shredder, please read and assimilate the content of this manual. Failure to do so can result in injury or damage to the equipment.

Training / Information

- Familiarise yourself with correct use of the shredder and its controls before using it. Make sure you know how to stop the motor quickly.
- The shredder must always be used in accordance with the recommendations given in the operating instructions.
- The user is responsible for accidents or hazards occurring to other people or their property. He/she is responsible for assessing any potential risks concerning any shredding operation.
- Never allow children or people unfamiliar with these instructions to use the shredder. Local regulations may restrict the age of the operator.
- Do not use the shredder after taking medication or substances known to adversely affect the ability to react or concentrate.
- When using the shredder, wear appropriate protective equipment, in particular safety footwear, long trousers, safety glasses, gloves and ear protectors. Do not wear loose clothing or clothing that has hanging cords or ties.
- Be aware that there is a slight risk of electric discharge from the spark plug.
- The shredder should be used exclusively for shredding plant matter. Using it for any other purpose could be dangerous or damage the machine.

Preparation

- Carefully inspect the plant matter to be shredded and remove any objects that could be dangerous (stones, wire, glass, metal objects, etc.).
- Before starting the machine, check that all screws, nuts, bolts and other retaining mechanisms are properly secured and that guards and screens are in place. Replace damaged or unreadable warning and operating labels.
- Keep the motor cut-out electric cables in good condition to ensure that cut-out of the motor is guaranteed (at the contact switches located near the obstruction clearance hatch and the feeding chute).
- Check for leaks (petrol, oil, etc.).
- Do not operate the machine within 5 m of bystanders.
- Only operate the machine in open space (e.g. not close to a wall or other objects) on a firm, level surface.
- Do not operate the shredder on a paved or gravel surface where ejected material could cause injury.

Warning! Danger! Petrol is highly flammable

- Store fuel only in containers specifically designed and approved for that purpose. Fill with petrol in an outdoor area only and do not smoke during this operation.
- Never remove the petrol tank cap or add petrol when the motor is running or while it is hot.
- If you spill petrol on the ground do not start the motor. Move away from the area and avoid creating sources of ignition until the petrol vapours have dissipated.
- Store the shredder in a dry place. Never store the shredder in a place where petrol vapours could be ignited by a flame, spark or other strong source of heat.
- Always screw the petrol tank cap on correctly.
- Limit the amount of petrol in the tank to minimise splashes.
- Do not operate the motor in a closed room or area in order to prevent the build-up of carbon monoxide vapours.
- Carbon monoxide can be fatal. Only operate the shredder in a well-ventilated area.
- The fuel tank should only be drained outdoors.

Operation

- Do not work on a slope (the shredder may tip over).
- Never pick up or carry the shredder while the motor is running.

- Start the motor carefully in compliance with the manufacturer's instructions and keep your face and body away from the feeding chute.
- Switch off the motor when the shredder is unattended.
- Do not place hands or any other part of the body or clothing inside the feeding chamber, discharge chute, or near any moving part.
- Keep proper balance and footing at all times. Do not overreach. Never stand at a higher level than the base of the machine when feeding material into it.
- Always stand clear of the discharge area when operating the shredder. When feeding material into the shredder be extremely careful that pieces of metal, stones, bottles, tins or other foreign objects are not included.
- In the event of:
 - Abnormal noise,
 - Abnormal vibration,
 - Impact with a foreign object,
 - Damage to the motor cut-out cable,

Switch off the motor immediately and let the shredder cool down. Disconnect the spark plug cable, inspect the machine and have any necessary repairs carried out by an approved service agent before using again.

- If the cutting parts get jammed (see § VI-e)
- Do not allow processed material to build up in the discharge zone; this may prevent proper discharge and result in kickback of material through the feed opening.
- If the shredder is jammed, switch off the power supply and disconnect the spark plug cable before removing the debris. Keep the power supply free of debris and other material to prevent damage to it or potential fire. Remember that operating the starting mechanism on machines with internal combustion engines will also activate the cutting parts.
- Keep all guards and deflectors securely in place and operating correctly.
- Work only in daylight or good artificial light.
- Use of non-approved accessories may make the shredder dangerous and cause damage to your machine that will not be covered by your warranty.
- Do not transport the shredder when the power source is on.
- Switch off the power source and disconnect the spark plug cable whenever you leave the shredder unattended.
- Do not tilt the shredder when the motor is switched on..

Maintenance / storage

- Switch off the motor and disconnect the spark plug cable before cleaning, checking, changing tool(s), adjusting or carrying out any maintenance of the shredder.
- Switch off the motor, disconnect the spark plug cable and use thick gloves to change tool(s).
- When servicing the cutting blades, remember that even if the power supply will not start because of the protective locking mechanism, the cutting blades can still be activated by the starter motor.
- Keep all nuts and screws fully tightened to guarantee safe operating conditions.
- Store the shredder in a place where fuel vapours cannot come into contact with a naked flame or sparks. For prolonged storage periods, empty the fuel from the tank (in an outside area, when using the shredder for the last time before winter, leave the motor on until it cuts out through lack of fuel). Always let the shredder cool down before storing.
- To reduce the risk of fire, keep the motor, silencer and petrol storage area free of plant matter, excess grease and any other material likely to catch fire.
- Faulty exhaust silencers must be replaced by an approved service agent.
- Do not repair worn parts. They must be replaced with original parts by an approved service agent.
- For your safety, do not modify the specifications of your shredder. Do not modify the motor speed control settings and do not use the motor when running at excessive rpm. Regular maintenance is essential for safe and efficient performance.

Moving, handling, transport

- This device cannot be used to transport people.
- The motor must be switched off when carrying out any work on the shredder.
- Never transport the shredder with the motor on.
- Handling: do not lift the shredder alone (see § V-2-g). The weight of the shredder is shown on the manufacturer's plate and at the end of this manual.
- Before transporting the shredder, wait until the cutting assembly has come to a complete standstill.
- An appropriate loading ramp must be used to load and unload the shredder into and from a trailer.
- Secure the shredder correctly for safe transport.
- The shredder must be transported in a trailer with the motor off and the spark plug cable disconnected. Do not use any other means of transport.
- This shredder is not suitable for towing without a trailer.

II / SAFETY LABELS

Your shredder must be used with caution.

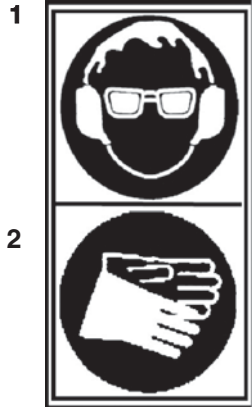
To this end, pictogram labels designed to remind you of the main precautions you should take have been affixed to the machine. Their meaning is explained below.

These labels are considered to be an integral part of the shredder. If any of them become detached or difficult to read, contact your dealer to have it replaced. We also recommend that you read the safety instructions carefully.



Danger!

Rotating blades.
Keep hands and feet a safe distance from openings when the machine is operating.



1 - Wear ear protectors and safety goggles
2 - Wear protective gloves



Throttle
1 - Fast
2 - Slow
3 - Stop



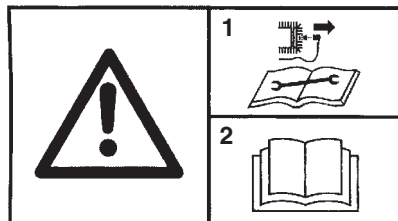
WARNING

The cutting assembly continues to rotate after the shredder has been switched off.



Danger!

Risk of projectiles.
Maintain a safe distance



1 - Disconnect the spark plug cable before any repair maintenance
2 - Read the user manual



WARNING

Never use the shredder without a deflector.



Sound power level

III /MACHINE IDENTIFICATION



- A - Rated power
- B - Weight in kilograms
- C - Serial number
- D - Year of manufacture
- E - Shredder type
- F - Manufacturer's name and address
- G - CE conformity mark
- H - Motor rated speed

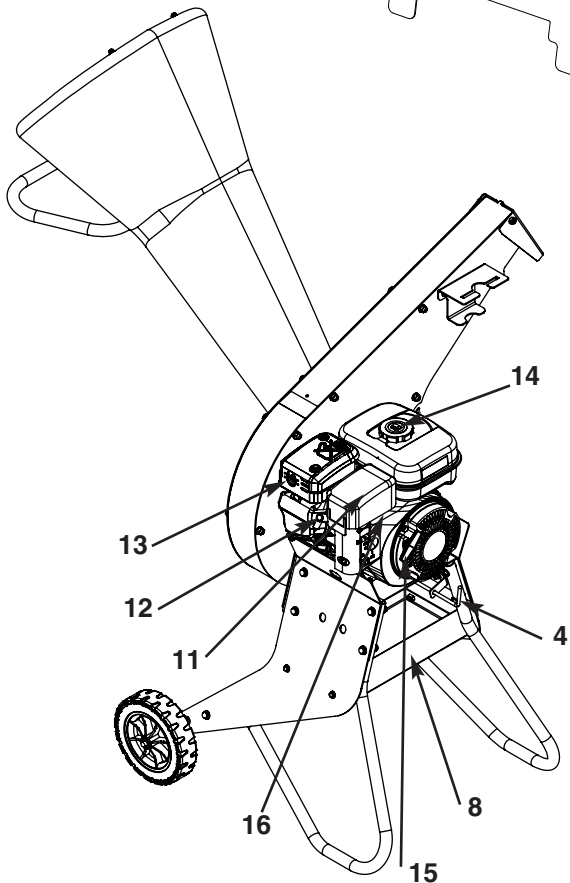
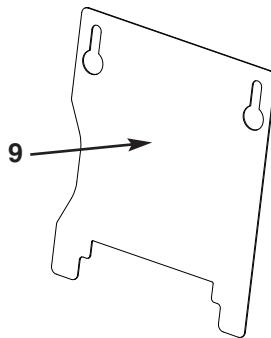
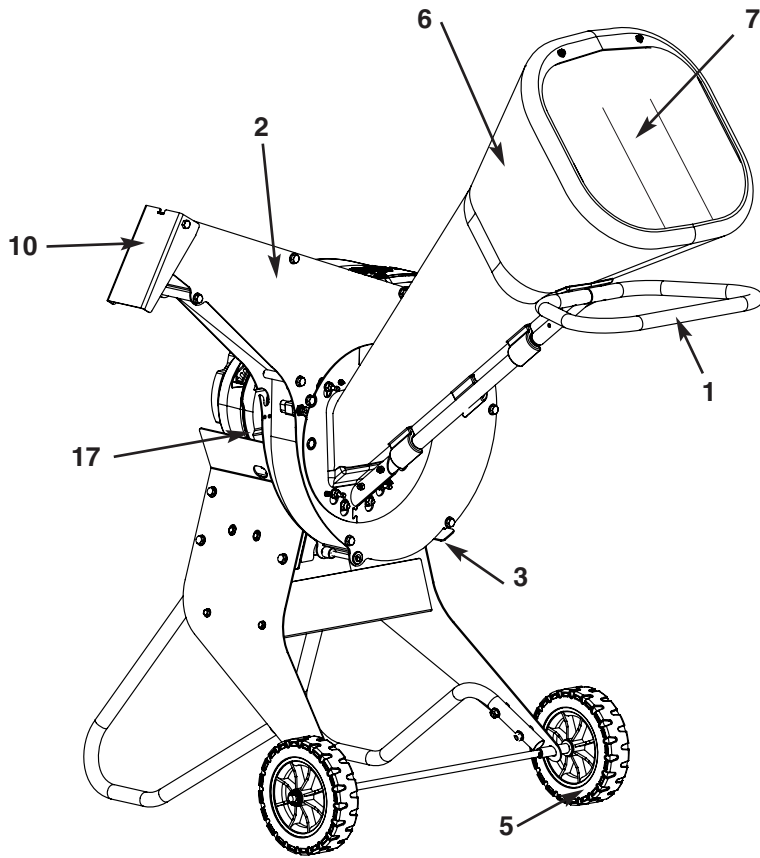
NE

IV / TECHNICAL INFORMATION

Subaru EP 17

Weight	64 Kg
Net power rating* For motor speed	4,2 KW 4000 rpm
Rated power	3,7 KW
Rated motor speed	3400 rpm
Guaranteed sound power level (as specified in directive 2000/14/EC)	100 dB (A)
Sound pressure level in the operator's position (as specified in standard EN 13683 : 2007)	90 dB (A)
Measurement uncertainty	± 1 dB (A)
Measured sound power level (as specified in directive 2000/14/EC, 2005/88/EC)	95 dB (A)
Measurement uncertainty	± 1 dB (A)

* The motor power given in this document is a net power rating obtained by testing a production series motor in conformity with standard SAE J 1349 at a given rotation speed. The power of another production series motor may be different from the value shown. The actual power of a motor installed on a shredder will depend on various factors such as rotation speed, conditions of temperature, humidity, atmospheric pressure, maintenance and others.



- 1 - Transportation handle
- 2 - Blade casing
- 3 - Obstruction clearance hatch
- 4 - Locking lever for obstruction clearance hatch
- 5 - Transportation wheel
- 6 - Feeding chute
- 7 - Flap
- 8 - Storage shelf
- 9 - Protective hatch on blade casing infeed
- 10 - Deflector
- 11 - Air filter casing
- 12 - Spark plug
- 13 - Exhaust silencer
- 14 - Petro tank cap
- 15 - Automatic return starter cord
- 16 - Throttle
- 17 - Oil gauge

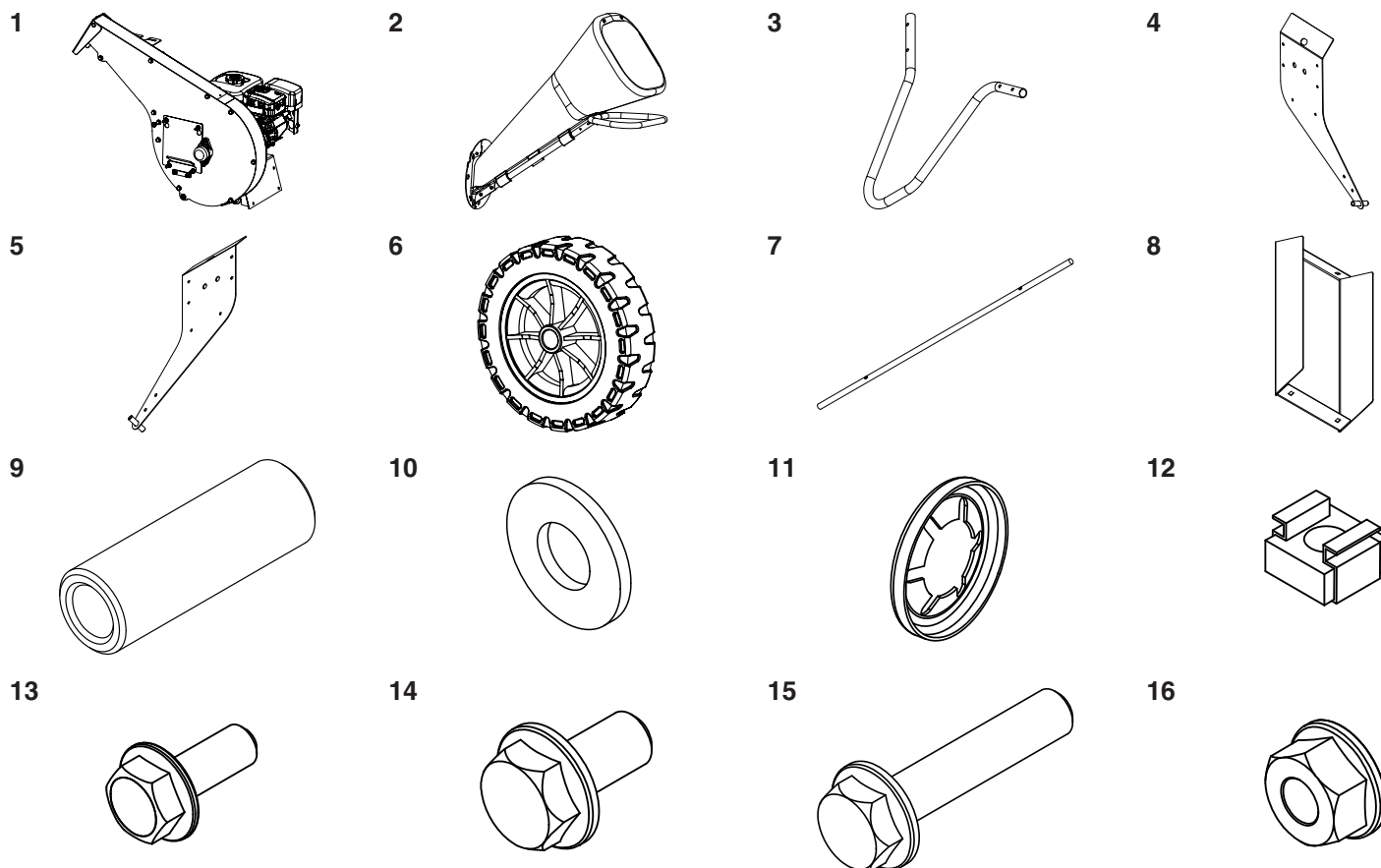
V / PREPARING THE SHREDDER (carried out by your approved service agent)

Unpack the shredder.

Warning: once removed from the box, certain parts must be assembled

Warning: all the following operations must be carried out with the motor off.

1) Packaging contents



EN

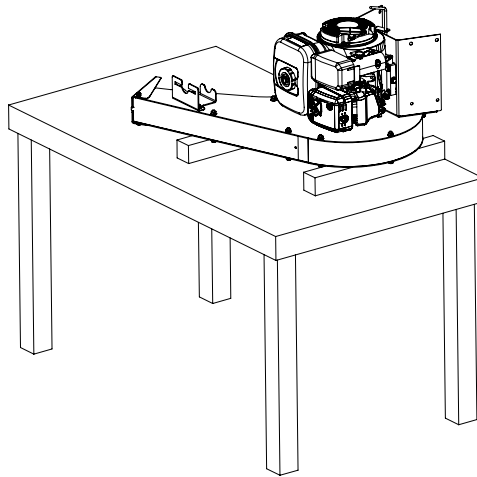
Ref	Description	Qty
1	Motor / blade casing assembly	1
2	Feeding chute / transportation handle assembly	1
3	Shredder foot tube	2
4	Right foot	1
5	Left foot	1
6	Wheels	2
7	Wheel axle	1
8	Storage shelf	1
9	Wheel spacer	2
10	Flat washer Ø 12	4
11	Starlock washer Ø 12	2
12	M6 spire nut	4
13	Zinc screw HM 6 x 16 with toothed flange	4
14	Zinc screw HM 8 x 16 with toothed flange	4
15	Zinc screw HM 8 x 40 with toothed flange	8
16	Zinc nut H M8 with toothed flange	12

2) Assembling the feet and feeding chute

a) Remove the motor / blade casing assembly from the packaging (Warning: requires 2 people)

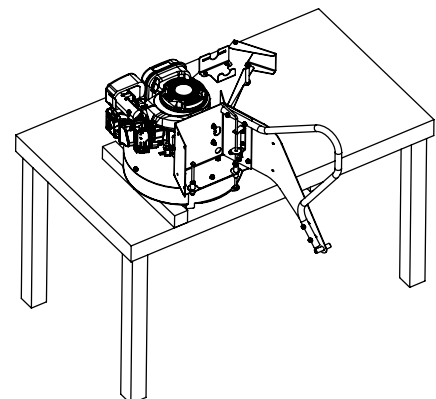
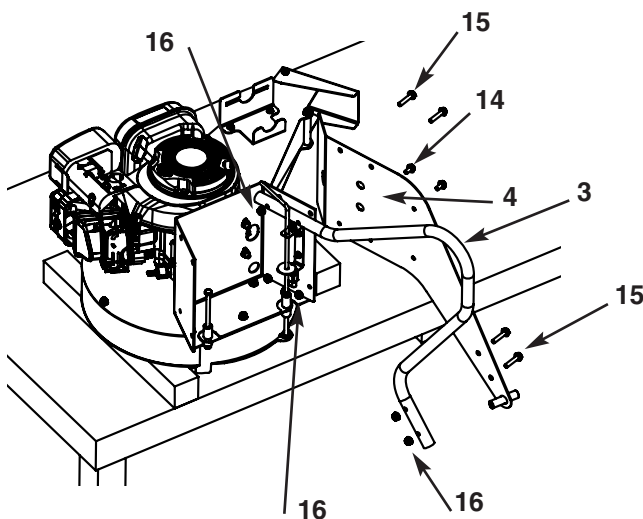


b) Place the assembly with the motor upright on 2 wooden battens (min. thickness 60 mm) on a work bench (or table). Ensure that the assembly is not resting on parts that could be damaged (bearing protective housing, retaining screw, contact switch, etc.)



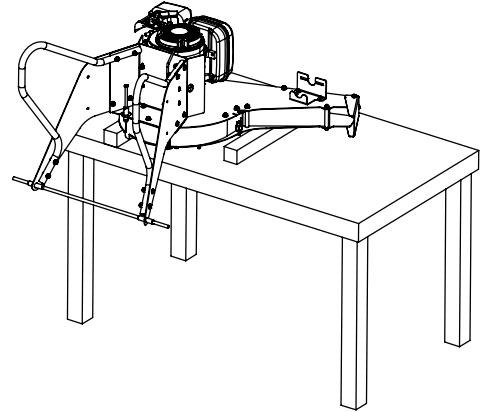
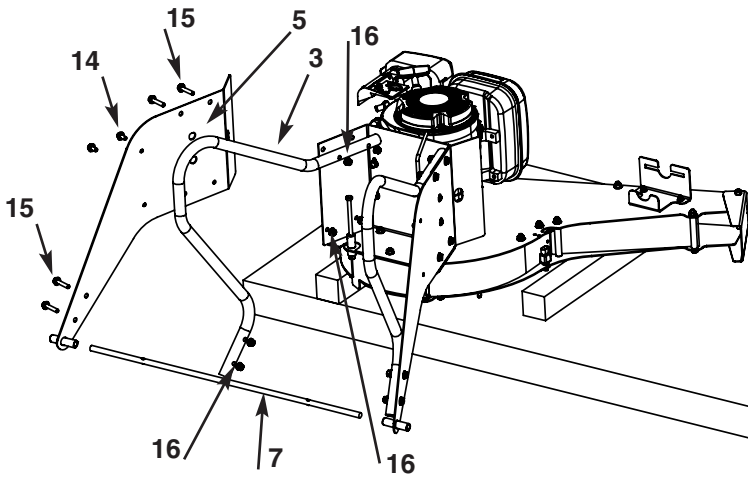
c) Assemble the right foot and one tube to the motor mounting:

Ref	Description	Qty
3	Shredder foot tube	1
4	Right foot	1
14	Zinc screw HM 8 x 16 with toothed flange	2
15	Zinc screw HM 8 x 40 with toothed flange	4
16	Zinc nut H M8 with toothed flanger	6



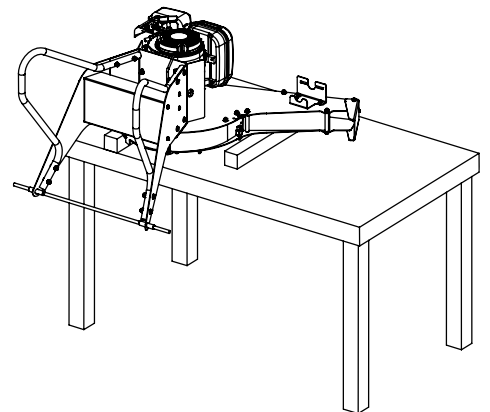
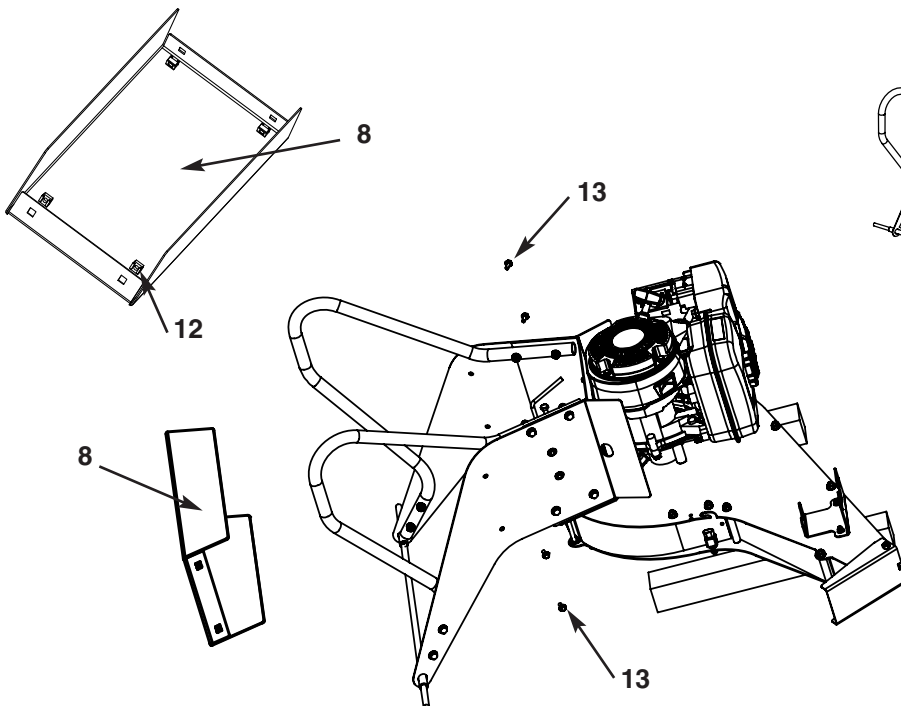
d) Assemble the wheel axle, the left foot and one tube to the motor mounting:
 (Start by placing the wheel axle in the right foot)

Ref	Description	Qty
3	Shredder foot tube	1
5	Left foot	1
7	Wheel axle	1
14	Zinc screw HM 8 x 16 with toothed flange	2
15	Zinc screw HM 8 x 40 with toothed flange	4
16	Zinc nut H M8 with toothed flange	6



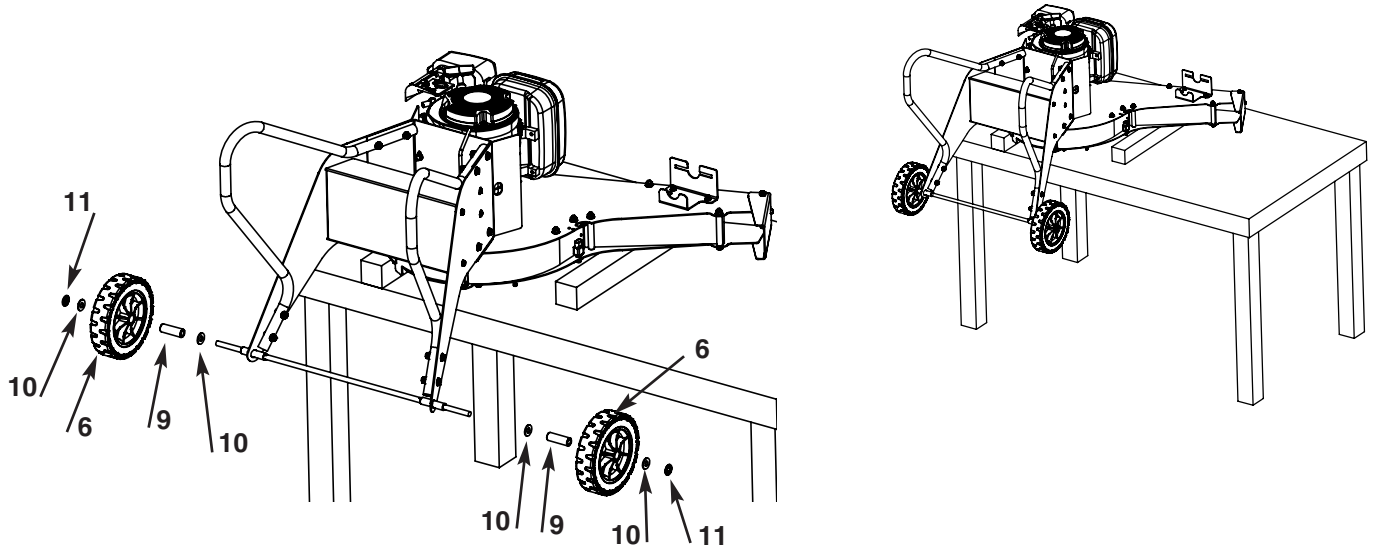
e) Assemble the storage shelf with the feet:

Ref	Description	Qty
8	Storage shelf	1
12	M6 spire nut	4
13	Zinc screw HM 6 x 16 with toothed flange	4

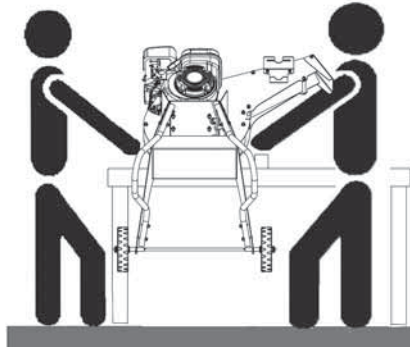


f) Mount the wheels on the axle

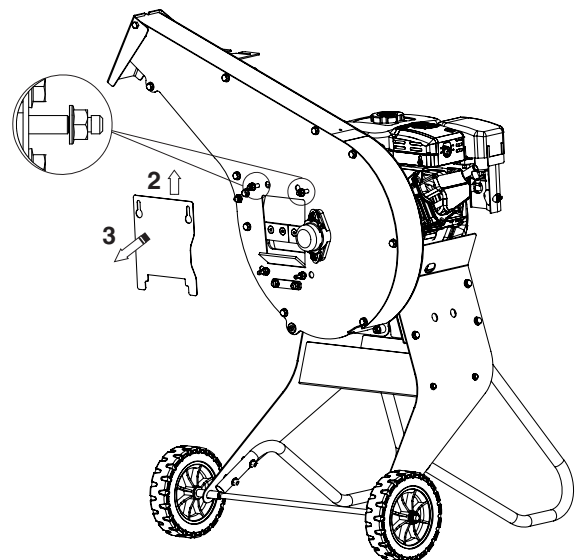
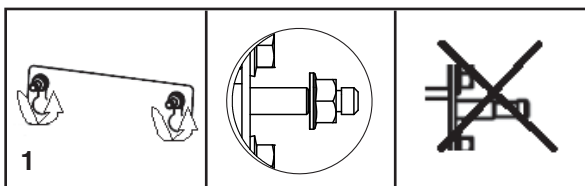
Ref	Description	Qty
6	Wheels	2
9	Wheel spacer	2
10	Flat washer Ø 12	4
11	Starlock washer Ø 12	2



g) Place the shredder on the ground (Warning: requires 2 people)

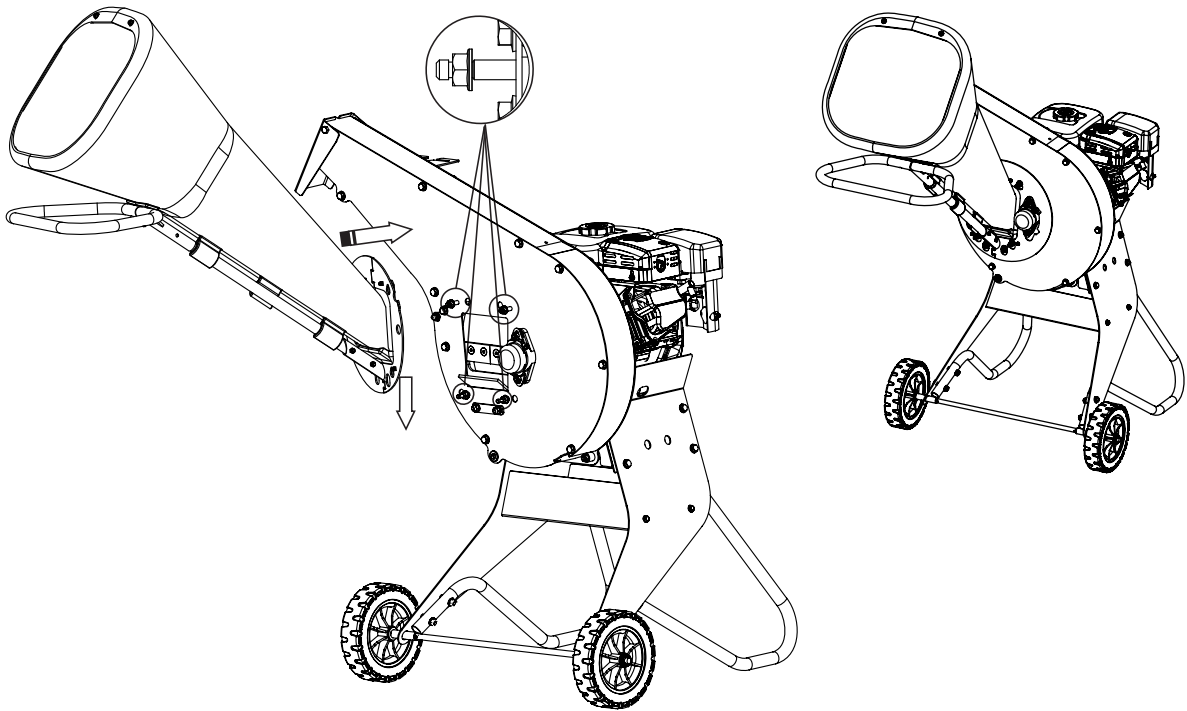


h) Remove the protective hatch from the blade casing infeed



i) Mount the feeding chute

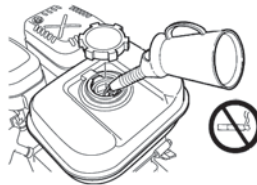
Make sure that the 4 M8 nuts are correctly threaded onto the captive screws. Pass the flange of the feeding chute over the nuts, lower it to slot onto the screws and then tighten the nuts.



EN

3) Fill with petrol

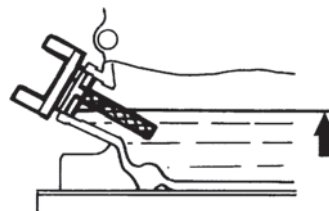
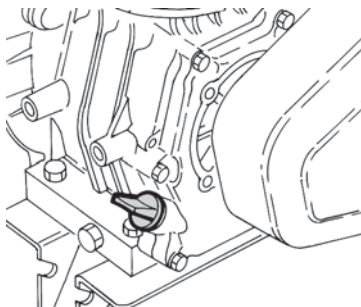
SUBARU EP 17 : 3,4 L



4) Fill with oil

Warning!

A "No Oil" label means that you must fill the oil tank. In all cases, check the level.



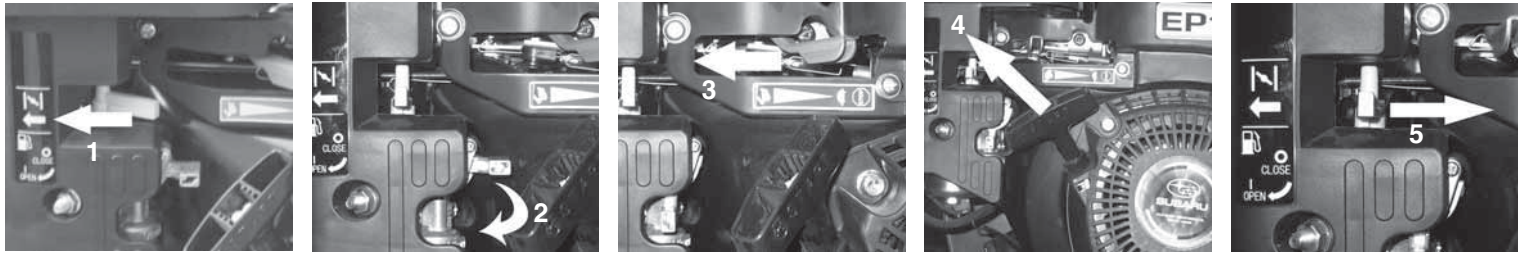
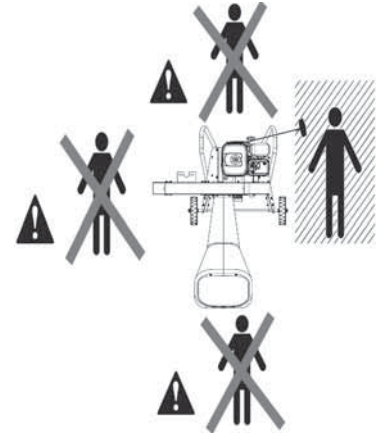
SUBARU EP 17 : 0,6 L

VI / USING THE SHREDDER

a) Starting the motor



SUBARU EP 17



b) Operation



Material suitable for shredding: Cut flowers, hedge trimmings, branches no more than 45 mm in diameter.

You must not put glass, stones, metal or plastic in the shredder. You must therefore check that the plant matter to be shredded does not contain any foreign objects.

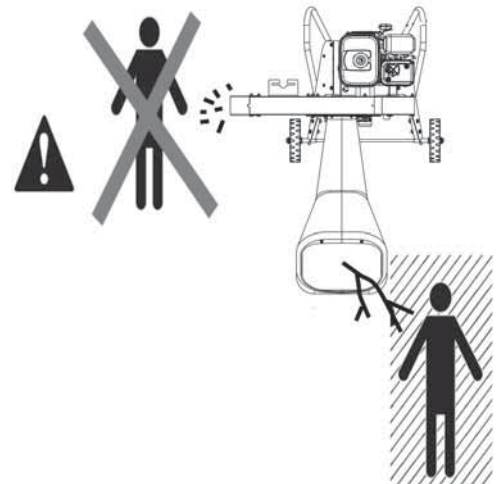
If a foreign object accidentally gets into the shredder, stop it immediately, disconnect the spark plug cable, inspect the machine and if necessary have repairs carried out by an approved service agent.

- Wait until the motor has reached its maximum speed. Only work when at maximum speed.
- Place plant matter in the plastic feeding chute, standing to the right of it to avoid any possible kickback of material.
- Make sure no-one is standing in the discharge zone.
- **!!WARNING!!** Never operate the shredder without the discharge pipe deflector (risk of projectiles and possibility of coming into contact with the cutting assembly).
- Always give the shredder time to discharge plant matter before adding more (risk of jamming).
- If necessary remove a branch to allow the shredder to get back up to maximum speed.
- If the shredder has a tendency to swallow branches and then stall, hold them back slightly.

c) Tips



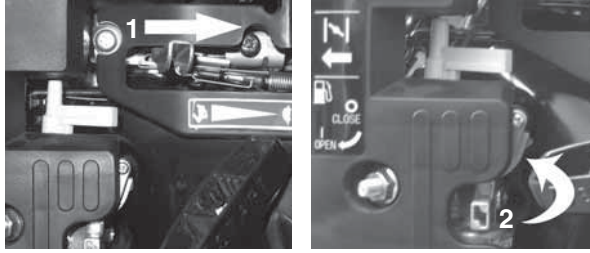
- Avoid shredding damp plant matter (risk of jamming).
- Avoid shredding very dry wood (when harder it puts more stress on the blades).
- Ideal for large diameter freshly cut wood.
For very leafy branches, allow to dry out for 2 days.
- For easier operating conditions, always work with well-sharpened blades.



d) Stopping the motor

Wait until the shredder is empty before stopping it as plant matter left in the feeding chute or blade casing could jam the rotor when restarting the machine.

SUBARU EP 17

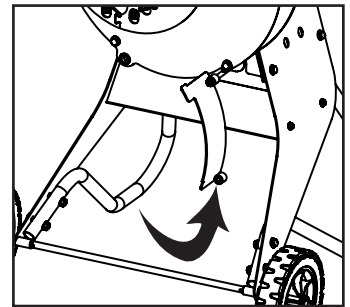
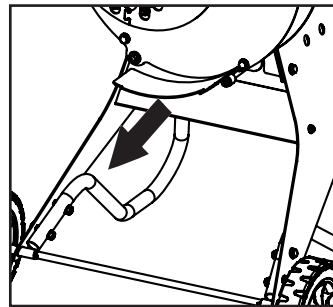
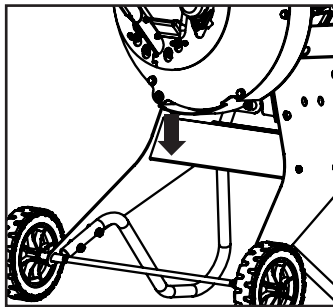
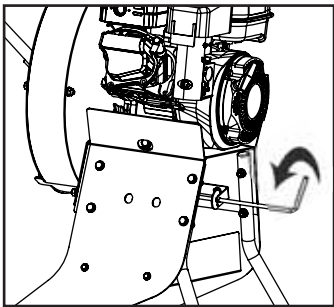


Warning: because of rotor inertia, the stop time is relatively long.

e) Unblocking obstructions (wear gloves)



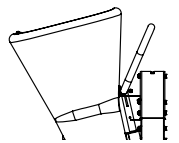
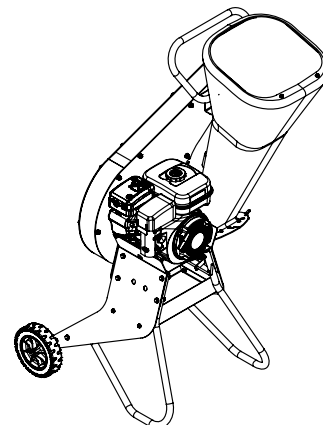
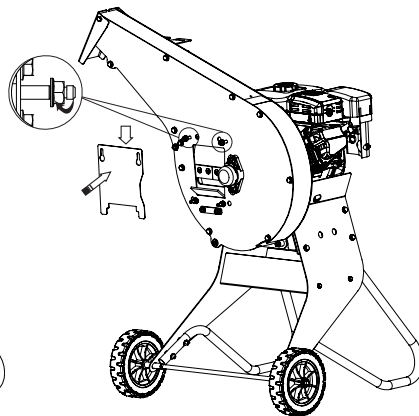
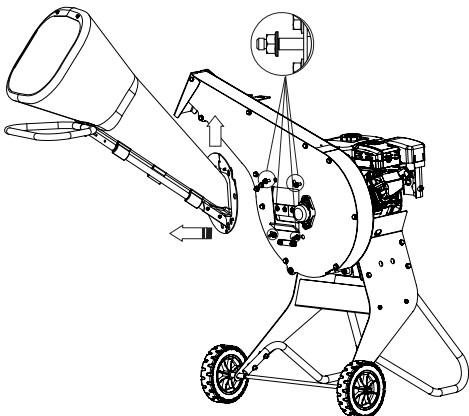
- Disconnect the spark plug cable.
- Remove branches from the feeding chute.
- Completely unscrew the lever of the obstruction clearance hatch.
- Slightly pivot the door so that you can pull it and then fully pivot downwards.
- Clear all the plant matter jamming the shredder (check there is no plant matter in the feeding chute and discharge chute).
- Close the hatch (follow instructions in reverse). Make sure the lever is fully screwed back down. (Impossible to restart the shredder if the lever does not press on the contact switch).



VII / STORAGE

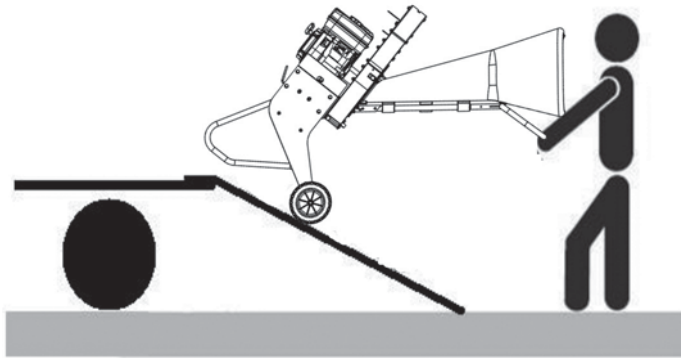


- Disconnect the spark plug cable.
- Close off the fuel inlet pipe.
- Loosen the 4 M8 nuts holding the feeding chute while ensuring they remain threaded to the captive screws.
- Lift the feeding chute so that the nuts pass through the flange then pull it off.
- Replace the protection hatch and tighten the 2 nuts.
- Place the feeding chute in its holder using the handle.



VIII / TRANSPORT

1 Motor off, spark plug cable disconnected, fuel supply shut

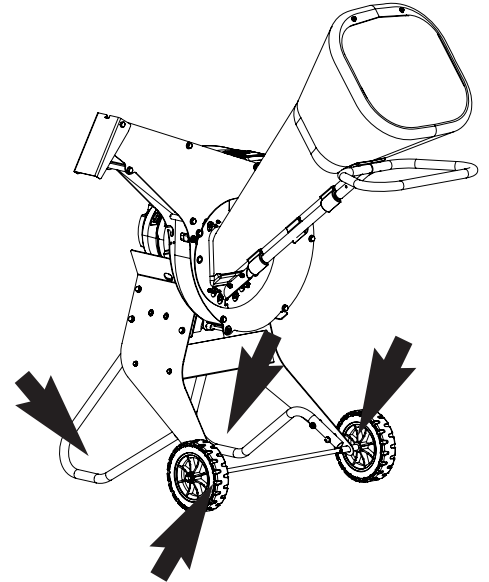


Do not lift the shredder

2

The shredder must only be transported in a trailer.
Use appropriate loading ramps.
Tie the shredder down correctly using straps.
To unload, follow these instructions in reverse.

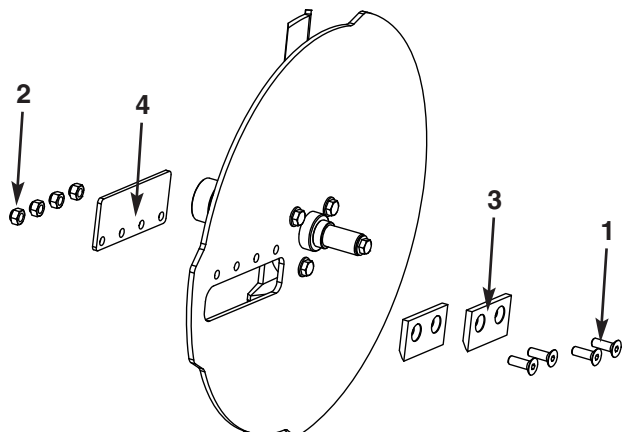
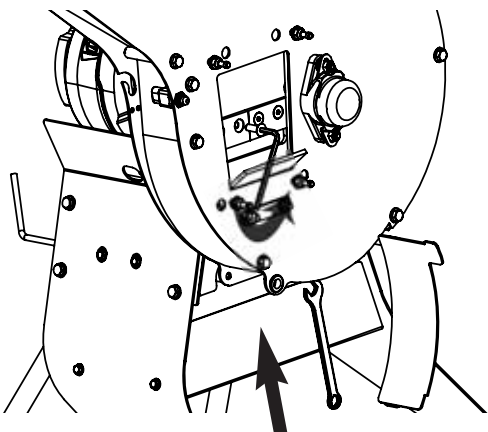
Tie-down points
for trailer transport



IX / CHANGING THE BLADES

(to be carried out by your approved service agent) (Wear gloves)

- Disconnect the spark plug cable
- Open the obstruction clearance hatch (see VI –e)
- Remove the feeding chute (see VII)
- Using a 5 mm Allen key and a 13 mm open ended spanner, unscrew the 4 screws (1) and nuts (2) holding the 2 blades in place (3).
- Always replace the 2 blades at the same time. **Always replace the screws and nuts when replacing the blades. (Warning: only blades and retaining screws specifically designed for your shredder must be used.)**
- Mount the new blades, being sure not to forget to reinsert the balance weight (4) (tightening torque 24 N.M).
Correctly align and place the 2 blades parallel to each other.



X / TROUBLESHOOTING



a) The shredder will not start (User)

- Check the petrol level.
- Check that the spark plug cable is properly connected.
- Check that the obstruction clearance hatch is properly locked (clamp level fully tightened to press on the contact switch).
- Check that the feeding chute is attached correctly (the flange must press on the contact switch).

b) The blades will not cut (User)

- Sharpen the blades using a sharpening stone following the cutting angles (for a better result we recommend having them sharpened by a professional.)
- Replace the blades if they are excessively notched.

EN

XI / MAINTENANCE

Motor off, spark plug cable disconnected.

Wait until the motor has cooled down to prevent any risk of burns.

Wear protective gloves.



a) Checks before each use of the shredder: (User)

- Check the condition of the blades (the blades must not be cracked) and their mounting on the disk (retaining screws are all present).
- Check the condition of the deflector and its mounting.
- Check the condition and mounting of the feed chute flap.
- **Check the condition of the wiring harness.** Warning: if the harness is cut, opening of the obstruction clearance hatch or the fact that the feeding chute is not in place would not automatically cut out the motor which would be extremely dangerous.
- Check the motor oil level and carry out an oil change approximately every 50 hours (see motor instructions).
- Check the petrol level.

b) Periodic checks after every 20 hours of use (User)

- Check the sharpness of the blades (the blades must not be blunt).
- Check they are fully tightened on the disk of the rotor (retaining screws are present) (24N.M).
- Check that the nuts, bolts and screws are properly tightened.
- Grease the wheel axles.

c) Annual check or every 50 hours to be carried out by your approved service agent

- Grease the bearing.
- Check for correct functioning of the circuit breaker wiring harness.
- Check the condition of the counter-blades (3mm play between blades and counter-blades).
- Replace the blades and retaining screws as a complete set in order to maintain balance.
Tightening torque 24 N.M.

Warning: only cutting blades and retaining screws specifically designed for your shredder must be used.

XII / CLEANING (User)



- After each use.
 - Motor off, spark plug cable disconnected.
 - Wait until the motor has cooled down to prevent any risk of burns.
 - Wear protective gloves.
 - It is preferable to use a handbrush and scraper to clean the shredder.
- Do not use high-pressure washers** to clean your machine (oxidation, motor damage, etc.).
An ordinary hose at low pressure can be used on the casing.

ВВЕДЕНИЕ

Дамы и господа

Вы приобрели дробилку, и мы вас благодарим за оказанное нам доверие.

Эта инструкция была составлена для того, чтобы вас ознакомить с новой машиной, предоставить вам возможность использовать ее в наилучших условиях и осуществлять ее обслуживание.

Мы заботимся о том, чтобы вы могли максимально использовать технологическое развитие, новое оборудование, новые материалы и наш опыт, модели регулярно совершенствуются; в связи с этим характеристики и сведения, содержащиеся в этой инструкции, могут быть изменены без предупреждения и обязательства обновления.

Иллюстрации этой инструкции представляют модель наиболее показательную для излагаемой темы. В случае проблем и по всем вопросам, связанным с машиной, обращайтесь к официальному дилеру продукции.

Храните эту инструкцию под рукой, чтобы руководствоваться ею в любое время, и в случае перепродажи удостоверьтесь, что она прилагается к машине.

Любое полное или частичное воспроизведение настоящей публикации не может осуществляться без предварительного письменного разрешения.

ОГЛАВЛЕНИЕ

I. ПРАВИЛА ТЕХНИКИ БЕЗОПАСНОСТИ	2 - FR
II. ПРЕДУПРЕЖДАЮЩИЕ ЭТИКЕТКИ	3 - FR
III. ИДЕНТИФИКАЦИЯ МАШИНЫ	4 - FR
IV. ТЕХНИЧЕСКАЯ ИНФОРМАЦИЯ	4 - FR
V. ПОДГОТОВКА ВАШЕЙ МАШИНЫ	6 - FR
VI. ИСПОЛЬЗОВАНИЕ ДРОБИЛКИ	11 - FR
VII. ХРАНЕНИЕ	12 - FR
VIII. ТРАНСПОРТ	13 - FR
IX. ЗАМЕНА НОЖЕЙ (НОСИТЬ ПЕРЧАТКИ)	13 - FR
X. СБОИ В РАБОТЕ	13 - FR
XI. ОБСЛУЖИВАНИЕ	14 - FR
XII. ЧИСТКА (ПОЛЬЗОВАТЕЛЬ)	14 - FR

Прилагаемый (по выбору) каталог запасных частей, предназначен исключительно для аккредитованных мастеров по ремонту.

Обращать особое внимание на указания, которым предшествуют следующие пометки:



предупреждает о высокой вероятности тяжелых телесных повреждений, включая смертельную опасность, если инструкции не соблюдаются.

МЕРЫ ПРЕДОСТОРОЖНОСТИ: предупреждает о возможности телесных повреждений или повреждении оборудования, если инструкции не соблюдаются.

ПРИМЕЧАНИЕ: предоставляет полезные сведения.



Этот знак вас призывает к осторожности при некоторых операциях.

В случае проблемы и по всем вопросам, связанным с машиной, обращайтесь к официальному дилеру продукции.



ВНИМАНИЕ: машина создана для обеспечения надежной и безотказной службы в условиях эксплуатации, соответствующих инструкциям.

Перед использованием вашей машины, пожалуйста, прочитайте и усвойте содержание этого руководства. В противном случае вы подвергнетесь риску ранения, и оборудованию может быть нанесен ущерб.

Обучение / Информация

- Освоить правильную эксплуатацию и команды перед использованием машины. Уметь быстро остановить двигатель.
- Машина должна всегда использоваться в соответствии с рекомендациями, указанными в инструкции по эксплуатации.
- Не забывать, что пользователь отвечает за несчастные случаи и опасные явления, происходящие с другими лицами или их имуществом. Он несет ответственность за оценку потенциальных рисков, связанных с осуществлением измельчения.
- Никогда не допускать использование машины детьми или лицами, не ознакомившимися с этими инструкциями. Местные нормативные акты могут установить минимальный возраст для пользователя.
- Не использовать машину после приема лекарств или веществ, известных как способные снижать быстроту реакции и бдительность.
- Для использования машины носить надлежащее снаряжение, в особенности защитную обувь, длинные брюки, защитные очки, перчатки и средства защиты слуха. Избегать ношения широкой одежды или содержащей шнуры и свешивающиеся завязки.
- Обращать внимание на минимальный риск электрического разряда, вызванного свечой зажигания.
- Использовать машину по ее назначению, а именно для измельчения растений. Любое другое применение может оказаться опасным или привести к повреждению машины.

Подготовка

- Тщательно исследовать растения, предназначенные для измельчения, и удалить все объекты, которые могут представлять опасность (камни, проволоки, металлические предметы...).
 - Перед запуском машины убедиться, что все винты, гайки, болты и другие крепежные устройства правильно закреплены, и что протекторы и щиты находятся на месте. Заменять поврежденные или неразборчивые этикетки.
 - Содержать электрические кабели остановки двигателя в пригодном состоянии таким образом, чтобы гарантировать остановку двигателя (на уровне контактов, расположенных поблизости к люку и желобу).
 - Проверять отсутствие утечки жидкости (бензина, масла...).
- Не допускать функционирование машины поблизости от третьих лиц, дистанция 5 м.
- Использовать машину в открытом пространстве (например, не около стен или других стационарных объектов) на твердой и ровной поверхности.
 - Не использовать машину на мощных или покрытых гравием поверхностях, где отскокивший материал может привести к ранениям.

Внимание, опасность — бензин является легковоспламеняющимся веществом

- Храните горючее в емкостях, специально предназначенных для этого. Производите заправку исключительно на открытом воздухе и не курите во время этой операции.
- Никогда не снимать пробку бензобака и не добавлять бензин во время работы двигателя, или пока он горячий.
- Если бензин пролился на землю, не пытаться запустить двигатель, а удалить машину из этой зоны и избегать любого воспламенения, пока пары бензина не улетучились.
- Хранить машину в сухом месте. Никогда не хранить машину в помещении, в котором пары бензина могут распространиться до огня, искры или мощного источника тепла.
- Правильно устанавливать на место пробки бензобака.
- Ограничивать количество бензина в бензобаке для минимизации брызг.
- Не допускать работу двигателя в замкнутом пространстве, где может скапливаться монооксид углерода.
- Монооксид углерода может быть смертельным. Обеспечить хорошую вентиляцию.
- Слив из топливного бака нужно производить на открытом воздухе.

Использование

- Не работать на наклонной поверхности (риск опрокидывания).
- При запуске двигателя оператор не должен приподнимать машину.
- Запускать двигатель с осторожностью, соблюдая инструкции производителя и держа лицо и тело на расстоянии от отверстия загрузочного желоба.
- Остановить двигатель, когда машина без присмотра.
- Не оставлять руки или любую другую часть тела, или одежды внутри загрузочной камеры, разгрузочного желоба или вблизи от подвижной части.
- Постоянно сохранять равновесие и устойчивую походку. Не приближаться слишком близко. При введении материалов в машину никогда не стоять на более высоком уровне, чем основание машины.
- При работе машины всегда находиться вне зоны выброса.
- При подаче материала в машину тщательно проверять, что не вводятся металлические детали, камни, бутылки, консервные банки и другие инородные предметы.
- В случае:

- ненормального шума,
- ненормальной вибрации,
- столкновения с инородным объектом,
- повреждения кабеля остановки двигателя,

немедленно остановить двигатель и подождать охлаждения машины, отсоединить провод свечи, осмотреть машину и обратиться к аккредитованному мастеру по ремонту для осуществления необходимых ремонтных работ.

- В случае блокировки режущего механизма (см. § VI-e).
- Не допускать скопление переработанного материала в зоне выброса; это может препятствовать нормальной эвакуации материала и вызвать обратное поступление материала к отверстию подачи.
- При закупорке машины отключить источник питания и отсоединить свечу перед удалением отходов. Предохраняйте источник питания от отходов и других отложений, чтобы избежать любого повреждения источника питания или случайного возгорания. Помните о том, что включение пускового механизма на машинах с двигателем внутреннего сгорания также приводит в действие режущее устройство.
- Содержать все протекторы и дефлекторы на месте и в пригодном состоянии.
- Работать исключительно при дневном свете или при очень хорошем искусственном освещении.
- Использование не тех аксессуаров, которые рекомендованы, может привести к опасности использования и повреждениям вашей машины, которые не будут покрыты вашей гарантией. Не транспортировать данную машину при работающем источнике питания.
- Отключать источник питания и отсоединять свечу каждый раз при оставлении зоны работы.
- Не наклонять машину при работающем двигателе.

Обслуживание / хранение

- Останавливать двигатель и отсоединять свечу перед любой процедурой чистки, контроля, смены орудия (-ий), регулировки или обслуживания машины.
- Останавливать двигатель, отсоединять свечу и использовать плотные перчатки для смены орудия (-ий).
- При обслуживании режущего устройства необходимо осознавать, что даже если источник питания не включится благодаря блокирующему свойству протектора, режущее устройство может быть еще приведено в действие пусковым механизмом.
- Поддерживать все гайки и болты в затянутом состоянии, чтобы обеспечить надежные условия эксплуатации.
- Хранить машину в месте, где пары топлива не могут войти в контакт с открытым пламенем или искрой. Для длительного хранения сливать топливо (на открытом воздухе, при последнем использовании перед зимней стоянкой оставьте работать мотор, пока он не остановится из-за недостатка топлива). Всегда дать остыть машине перед ее складыванием.
- Для снижения риска пожара содержать двигатель, глушитель и зону хранения бензина в состоянии, освобожденном от растений, избытка жира и любого другого вещества, способного воспламениться.
- Обращаться для замены неисправного глушителя к аккредитованному мастеру по ремонту.
- Не ремонтировать изношенные детали. Обращаться для замены изношенных деталей к аккредитованному мастеру по ремонту.
- Для вашей безопасности не изменять характеристики вашей машины. Не изменять настройки регулировки скорости двигателя и не использовать двигатель со скоростью выше нормальной. Регулярное обслуживание необходимо для безопасности и поддержания уровня производительности.

Перемещение, погрузка, транспортировка

- Запрещено использовать данное устройство для перевозки людей.
- Все воздействия на машину вне работы должны осуществляться при остановленном двигателе.
- Никогда не транспортировать машину с работающим двигателем.
- Погрузка: не поднимать машину одному (см. § V-2-g). Вес машины указан на табличке изготовителя и в конце этого руководства.
- Перед транспортировкой машины дождаться полной остановки режущего орудия.
- Погрузка и выгрузка машины в прицеп должна осуществляться с помощью соответствующей загрузочной площадки.
- Закреплять машину для транспортировки в полной безопасности.
- Транспортировка должна осуществляться при остановленном двигателе и отсоединенной свече с помощью прицепа. Не использовать никакое другое транспортное средство.
- Эта машина не предназначена для буксировки.

II / ПРЕДУПРЕЖДАЮЩИЕ ЭТИКЕТКИ

Ваша дробилка должна использоваться с осторожностью.

С этой целью этикетки, предназначенные для напоминания вам основных мер предосторожности при использовании, установлены на машине в виде графических символов. Их значение указано ниже.

Эти этикетки считаются неотъемлемой частью машины. Если одна из них отклеится или станет неразборчивой, обратитесь к дилеру, у которого вы приобрели машину, чтобы их заменить.

Мы вам также рекомендуем внимательно прочитать правила безопасности.



Опасность!

Ножи вращаются.
Держать руки и ступни на расстоянии от отверстий при работе машины.



1 - Носить средства защиты слуха и зрения.
2 - Носить защитные перчатки.



Управление газом

1 - Быстро
2 - Медленно
3 - Стоп



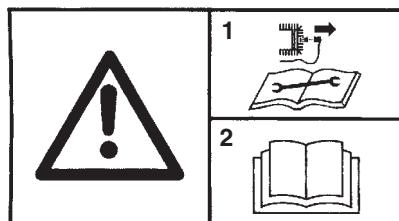
ВНИМАНИЕ

Режущее устройство продолжает вращаться после остановки дробилки.



Опасность!

Риски выброса.
Сохранять безопасную дистанцию.



1 - Отсоединить свечу перед любым ремонтом.
2 - Прочитать внимательно инструкцию.



Внимание, никогда не использовать дробилку без дефлектора.



Уровень акустической мощности

III / IDENTIFICATION DE LA MACHINE



- A - Номинальная мощность
- B - Масса в килограммах
- C - Номер серии
- D - Год изготовления
- E - Тип дробилки
- F - Фамилия и адрес конструктора
- G - Идентификация CE
- H - Максимальная скорость двигателя

RU

IV / ТЕХНИЧЕСКАЯ ИНФОРМАЦИЯ

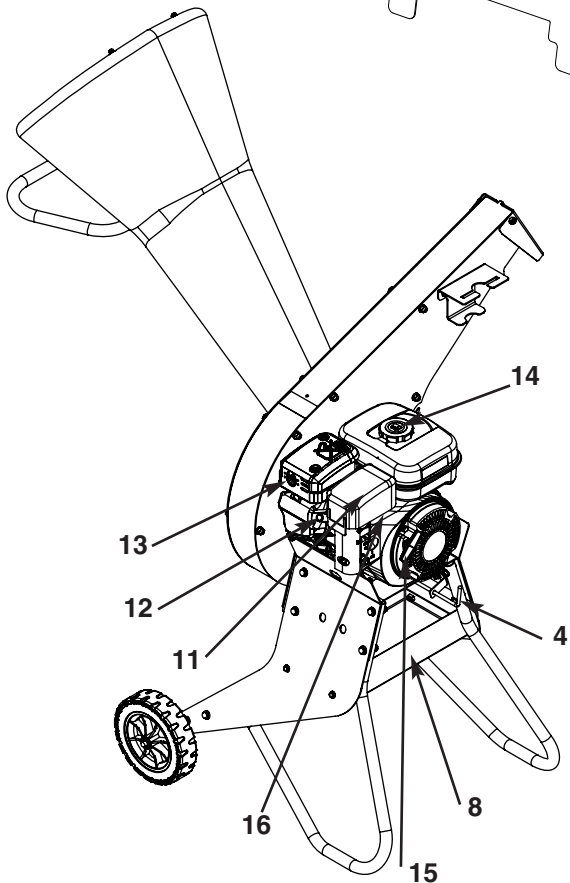
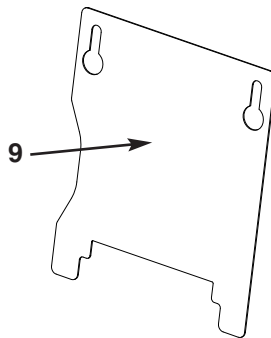
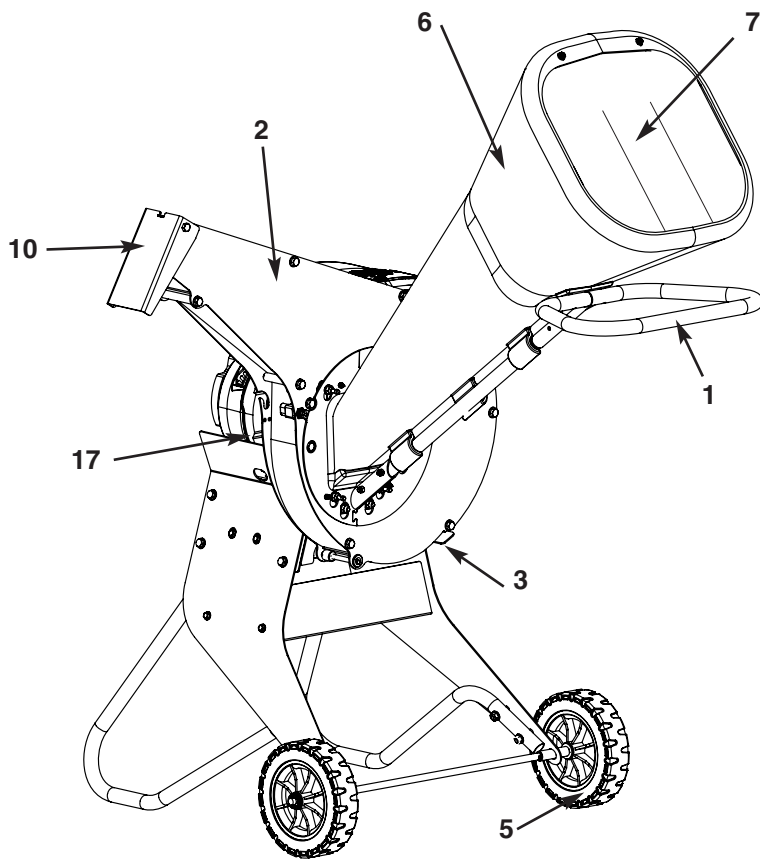
Subaru EP 17

Вес	64 кг
Чистая мощность* Для режима работы двигателя	4,2 кВт 4000 об/мин
Номинальная мощность	3,7 кВт
Номинальный режим работы двигателя	3400 об/мин
Гарантированный уровень акустической мощности (согласно директиве 2000/14/CE)	100 дБ (A)
Уровень акустического давления на посту оператора (согласно норме EN 13683 : 2007) Погрешность измерения	90 дБ (A) ± 1 дБ (A)
Измеренный уровень акустической мощности (согласно директивам 2000/14/CE, 2005/88/EC) Погрешность измерения	95 дБ (A) ± 1 дБ (A)

* Мощность двигателя, указанная в этом документе, является чистой мощностью, полученной в ходе испытания серийного двигателя в соответствии с нормой SAE J 1349 при определенной скорости вращения.

Мощность другого двигателя выпуска может отличаться от указанного значения.

Реальная мощность двигателя, установленного на машине, будет зависеть от различных факторов, таких как скорость вращения, температурные условия, влажность, атмосферное давление, обслуживание и другие.



- 1 - Транспортная рукоятка
- 2 - Корпус режущего устройства
- 3 - Крышка люка очистки
- 4 - Замыкающий рычаг крышки люка очистки
- 5 - Транспортное колесо
- 6 - Желоб
- 7 - Фартук
- 8 - Инструментальный ящик
- 9 - Защитная крышка входного отверстия корпуса режущего устройства
- 10 - Дефлектор
- 11 - Корпус воздушного фильтра
- 12 - Свеча зажигания
- 13 - Глушитель выхлопа
- 14 - Пробка бензобака
- 15 - Трос запускающего устройства с автоматическим возвратом
- 16 - Рычаг газа
- 17 - Указатель уровня масла

V / ПОДГОТОВКА ВАШЕЙ МАШИНЫ

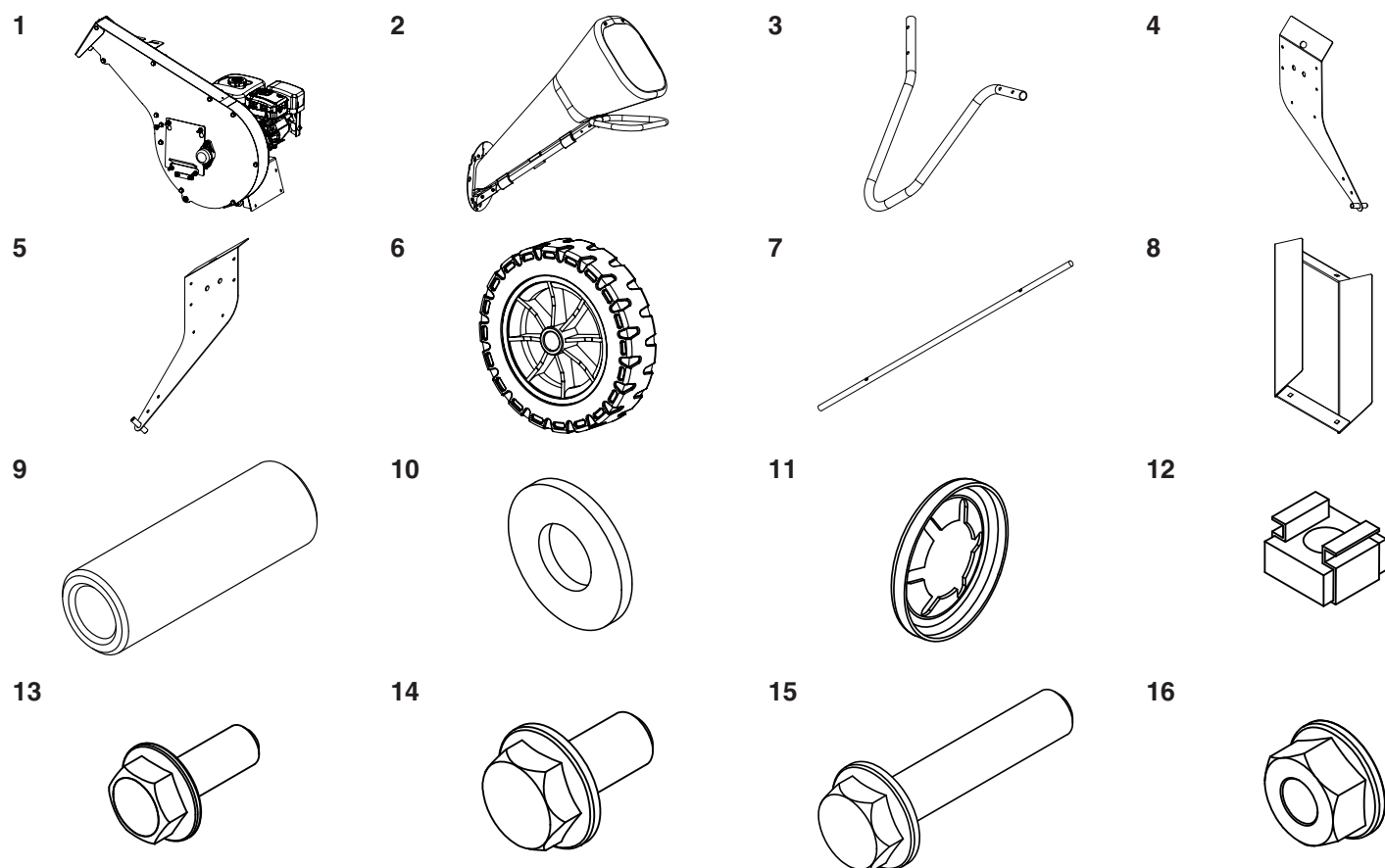
(должна осуществляться аккредитованным мастером по ремонту)

Распаковать машину.

Внимание, после распаковки некоторые детали должны быть собраны.

Внимание, все операции, представленные ниже, должны осуществляться при выключенном двигателе.

1) Содержимое упаковки

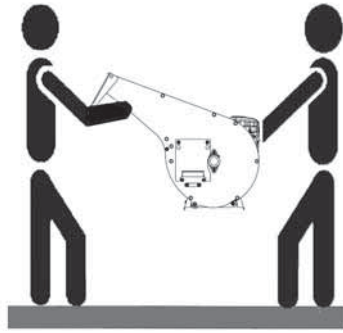


RU

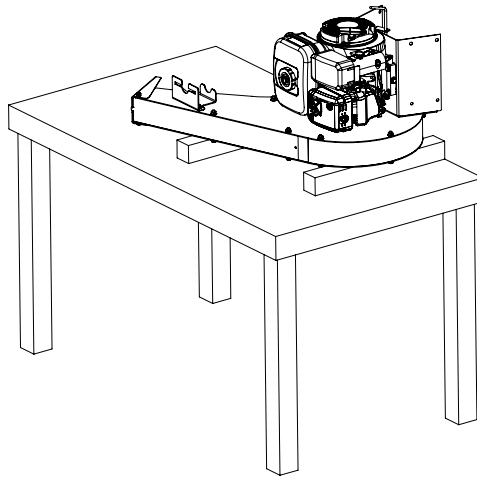
Список	Обозначение	Количество
1	Агрегат корпуса режущего устройства и двигателя	1
2	Агрегат желоба и транспортной рукоятки	1
3	Трубка опоры дробилки	2
4	Правая опора	1
5	Левая опора	1
6	Колеса	2
7	Колесная ось	1
8	Ящик	1
9	Распорка колеса	2
10	Плоская шайба Ø 12	4
11	Шайба starlock Ø 12	2
12	Гайка rapid M6	4
13	Болт шестигр. М 6 х16 оцинк., зубч. буртик	4
14	Болт шестигр. М 8 х 16 оцинк., зубч. буртик	4
15	Болт шестигр. М 8 х 40 оцинк., зубч. буртик	8
16	Гайка шестигр. М 8 оцинк., зубч. буртик	12

2) Установка опор и желоба

а) Вынуть агрегат корпуса режущего устройства и двигателя из коробки (внимание, 2 человека).

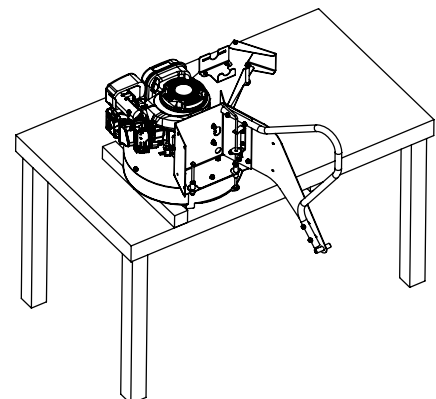
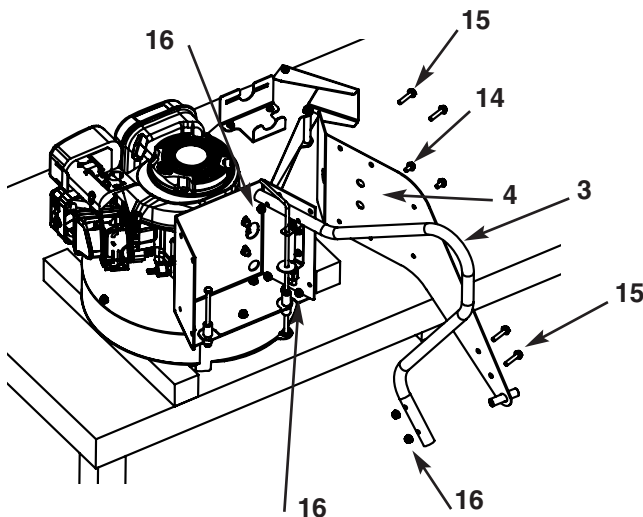


б) Поместить этот агрегат, двигателем вверх, на 2 деревянные установочные подкладки (минимальная толщина 60 мм), размещенные на верстаке (или столе). Старайтесь не опираться на детали, которые могут быть повреждены (защитный кожух подшипника, закрепительный винт, контактор...).



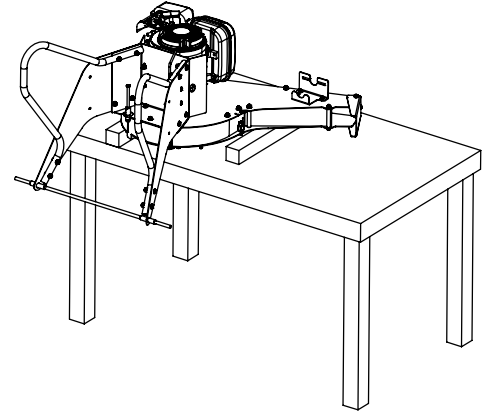
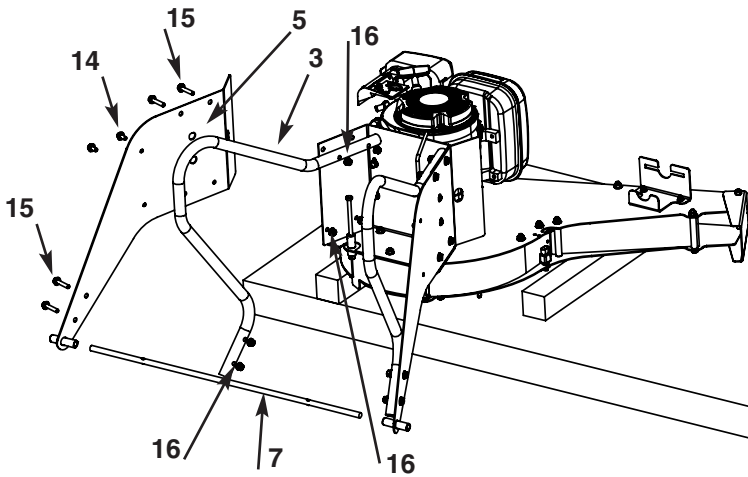
в) Смонтировать правую опору и трубку на основании двигателя.

Список	Обозначение	Количество
3	Трубка опоры дробилки	1
4	Правая опора	1
14	Болт шестигр. М 8 x16 оцинк., зубч. буртик	2
15	Болт шестигр. М 8 x 40 оцинк., зубч. буртик	4
16	Гайка шестигр, М 8 оцинк., зубч. буртик	6



d) Смонтировать колесную ось, левую опору и трубку на основании двигателя:
(начинать с пропуска колесной оси в правую опору)

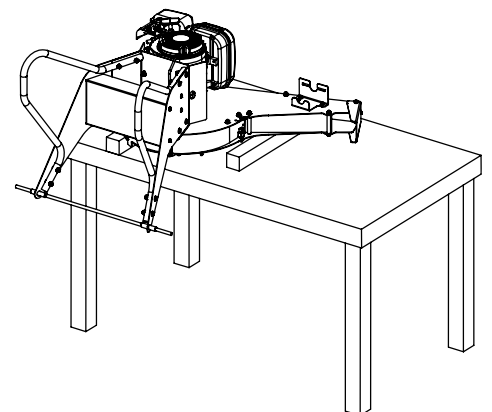
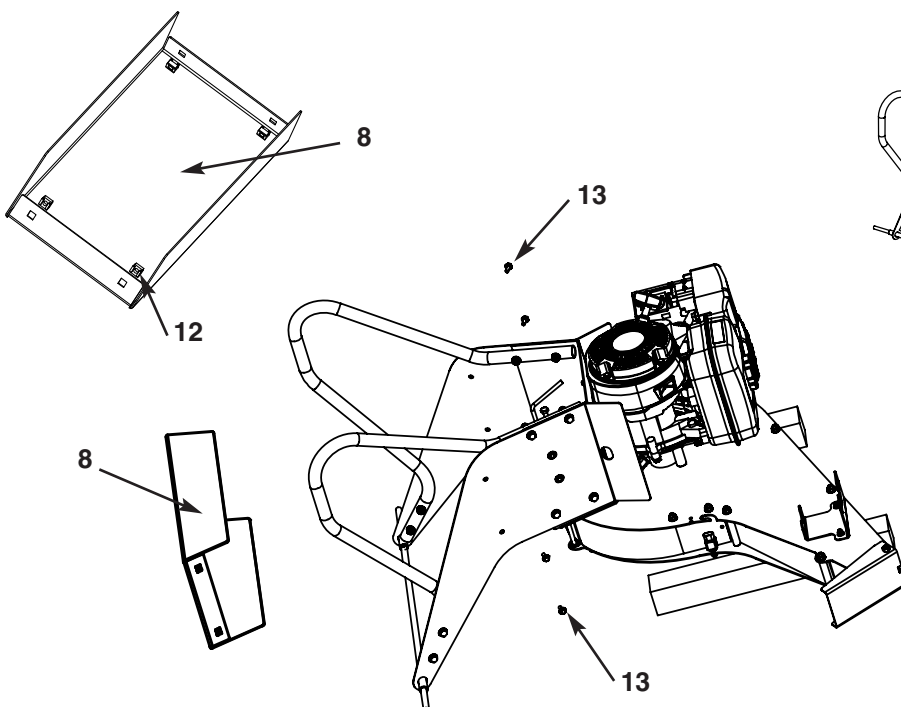
Список	Обозначение	Количество
3	Трубка опоры дробилки	1
5	Левая опора	1
7	Колесная ось	1
14	Болт шестигр. М 8 х 16 оцинк., зубч. буртик	2
15	Болт шестигр. М 8 х 40 оцинк., зубч. буртик	4
16	Гайка шестигр. М 8 оцинк., зубч. буртик	6



RU

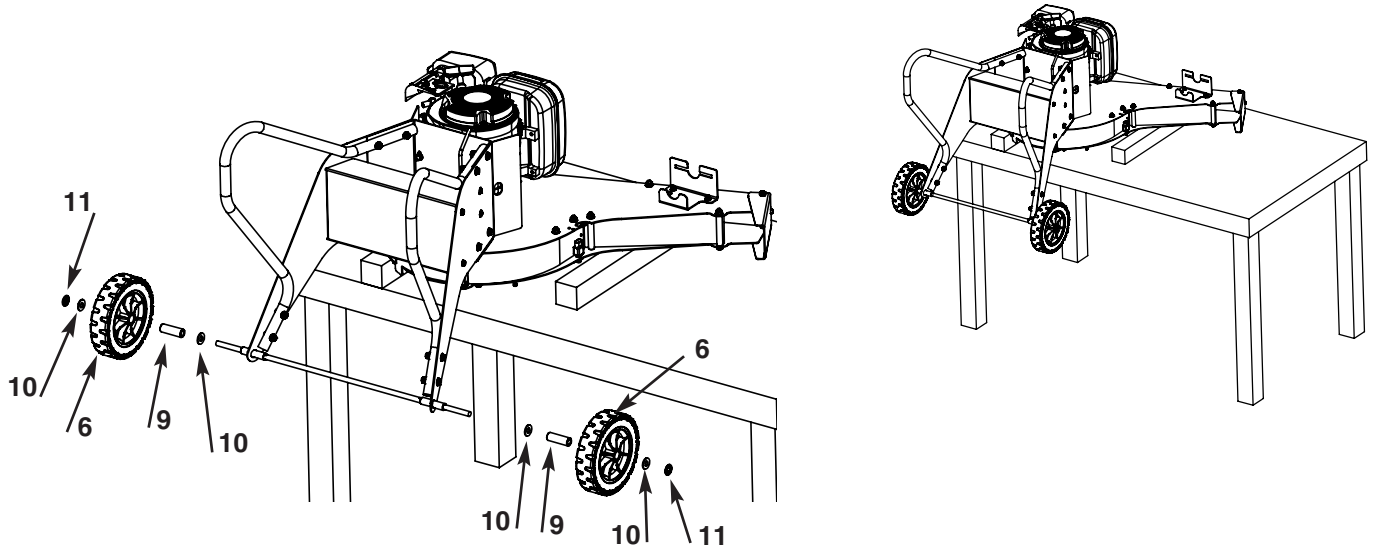
e) Соединить ящик с опорами:

Список	Обозначение	Количество
8	Ящик	1
12	Гайка rapid M6	4
13	Болт шестигр. М 6 х 16 оцинк., зубч. буртик	4

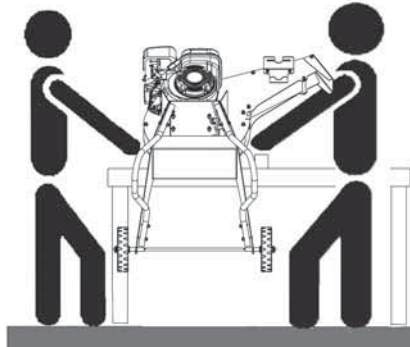


f) Установить колеса на оси:

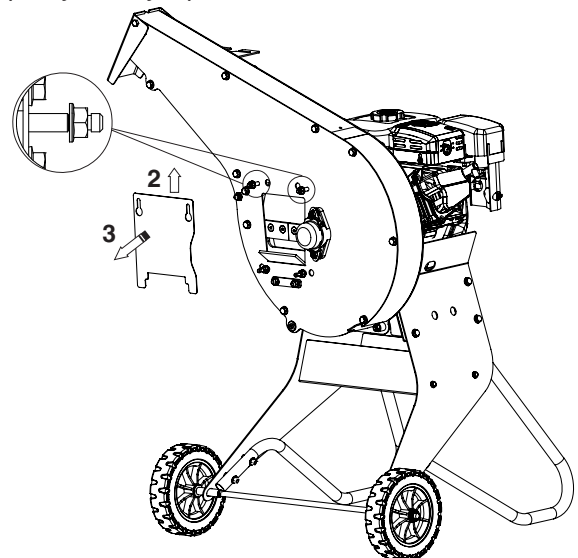
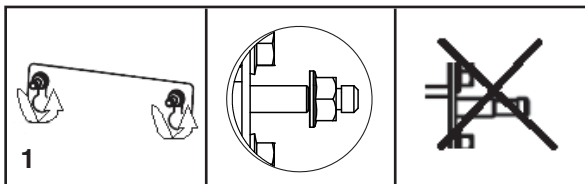
Список	Обозначение	Количество
6	Колеса	2
9	Распорка колеса	2
10	Плоская шайба Ø 12	4
11	Шайба starlock Ø 12	2



g) Опустить дробилку на землю (внимание, два человека).

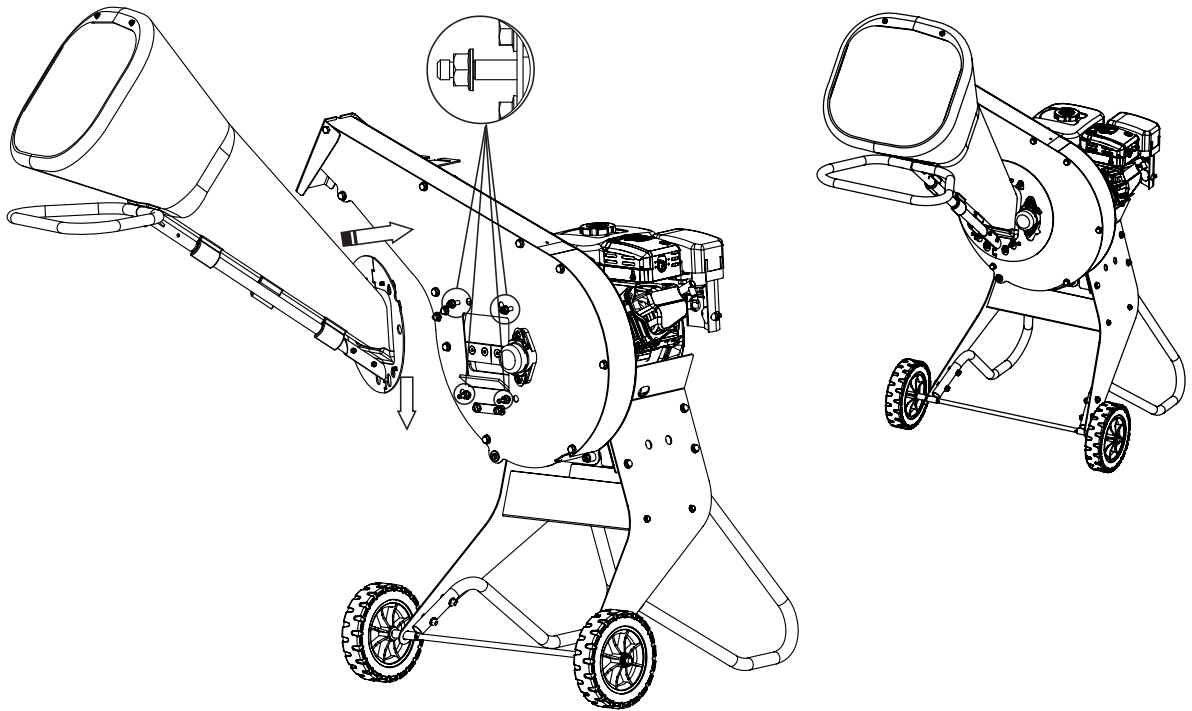


h) Вынуть защитную крышку входного отверстия корпуса режущего устройства.



i) Установить желоб:

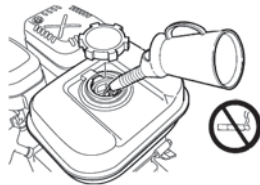
Убедитесь, что 4 гайки М 8 находятся на шейках невыпадающих винтов. Пропустить хомут желоба поверх этих гаек, затем дать ему спуститься до упора на винты и затянуть гайки.



RU

3) Заправка бензином

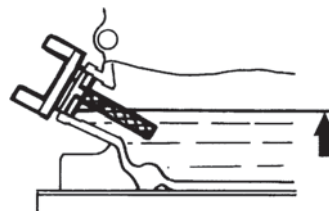
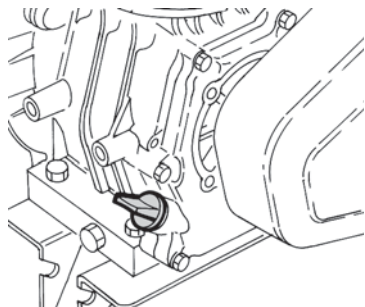
SUBARU EP 17 : 3,4 л



4) Заправка маслом

Внимание!

Этикетка «без масла» вам указывает на то, что вы должны заполнить бак для масла. В любом случае проверить уровень.



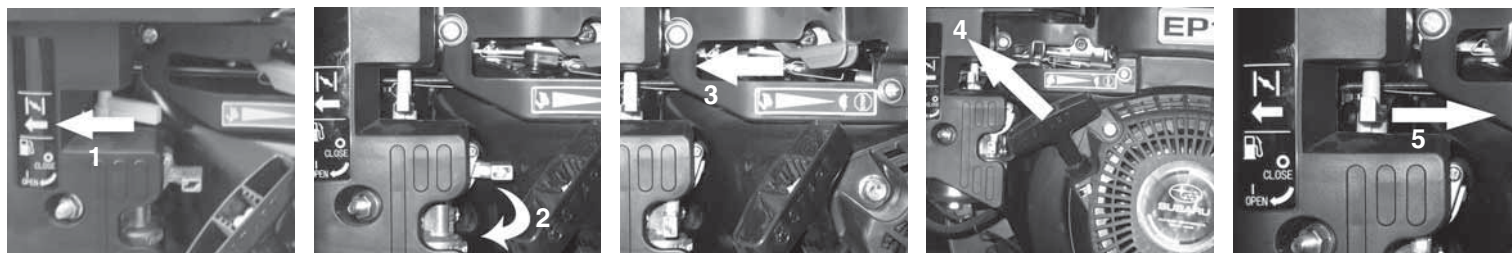
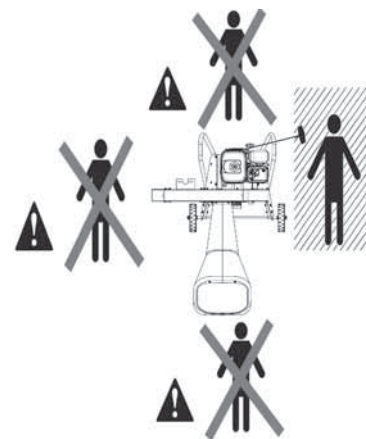
SUBARU EP 17 : 0,6 л

VI / ИСПОЛЬЗОВАНИЕ ДРОБИЛКИ

а) Запуск двигателя



SUBARU EP 17



б) Использование



Материалы, которые могут измельчаться: срезанные цветы, отходы от стрижки кустов, ветки до максимального диаметра 45 мм.

Строго запрещается вводить стекла, камни, металл, пластмассу в дробилку. Следовательно, вы должны проверять, что растения не содержат никакого инородного тела.

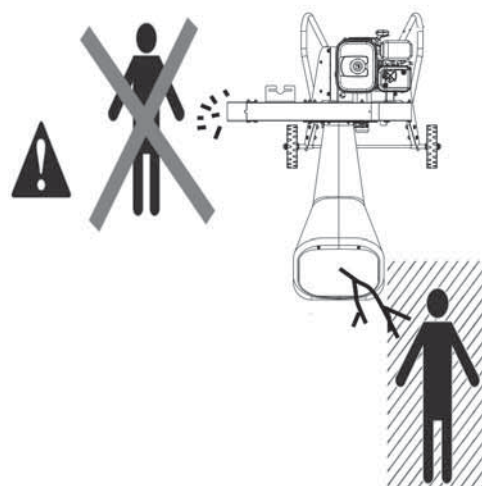
Если по недосмотру инородное тело было введено в машину, немедленно остановите дробилку, отсоедините провод свечи, осмотрите машину и при необходимости обратитесь к аккредитованному мастеру по ремонту.

- Подождать пока двигатель достигнет максимальной скорости. Работать только при полном режиме.
- Вводите растения через пластиковый желоб, держась от него справа, чтобы избежать их возможного возврата.
- Следите за тем, чтобы никто не находился в зоне выброса.
- **ВНИМАНИЕ!!** Никогда не работайте без дефлектора канала выброса (риск отскакивания материала и возможность войти в контакт с режущим устройством).
- Подождите, пока дробилка выбросит растения, прежде чем вводить новые (риск забивки).
- При необходимости вытяните ветку, чтобы дать время дробилке достигнуть снова своего полного режима.
- Если дробилка имеет тенденцию поглотить ветку и заглохнуть, слегка ее придержите.

с) Советы



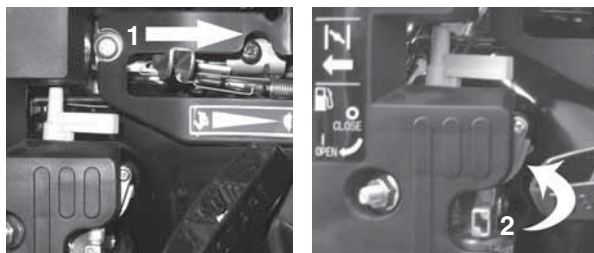
- Избегать измельчения влажных растений (риск забивки).
- Избегать измельчения слишком сухого дерева (оно тверже и производит большую нагрузку на ножи).
- Идеальным условием для больших диаметров являются свежесрезанные ветки. Для ветвей обильно покрытых листьями 2 дня просушки.
- Для большего комфорта использования работайте всегда с хорошо наточенными ножами.



d) Остановка двигателя

Подождать, когда дробилка опустеет, перед его остановкой. Если растения остались в желобе или в корпусе режущего устройства, они могут блокировать ротор при новом запуске.

SUBARU EP 17

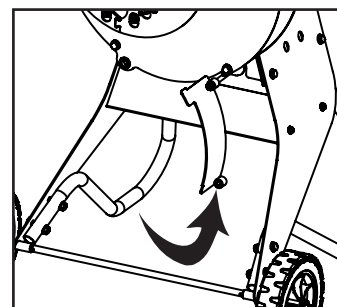
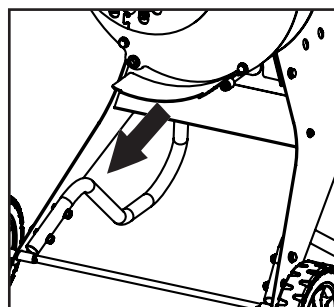
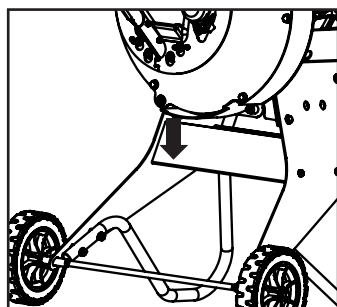
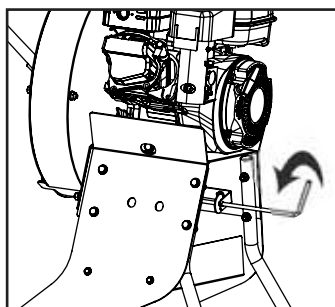


Внимание, из-за инерции ротора время остановки сравнительно продолжительное.

е) В случае забивки (носить перчатки)



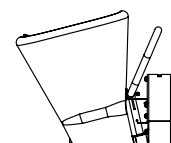
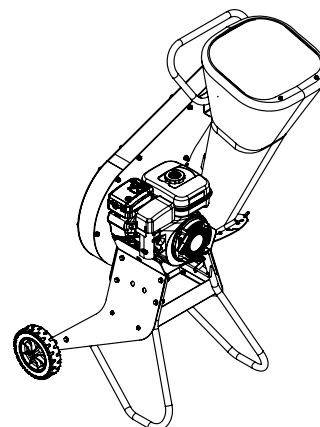
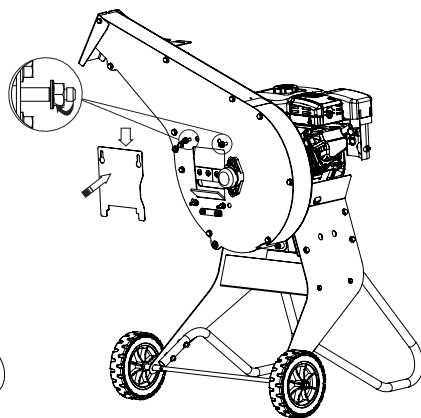
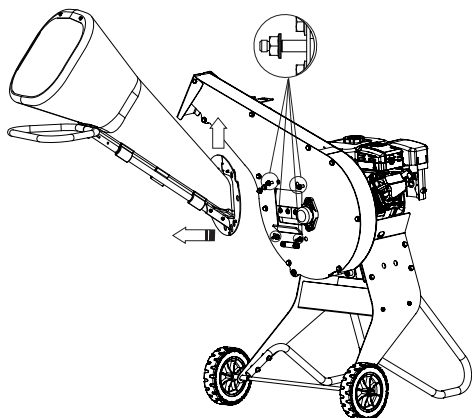
- Отсоединить провод свечи.
- Вытащить ветки из желоба.
- Полностью отвинтить рычаг крышки люка очистки.
- Повернуть слегка крышку люка, чтобы иметь возможность ее вытянуть, затем повернуть полностью книзу.
- Вынуть все растения, которые загромождают дробилку. (Проверить, что ничего не осталось во входном желобе и в выводном желобе).
- Закрыть крышку люка (обратный ход операций). Снова завинтите полностью рычаг, в противном случае новый запуск дробилки невозможен, так как есть контактор.



VII / ХРАНЕНИЕ



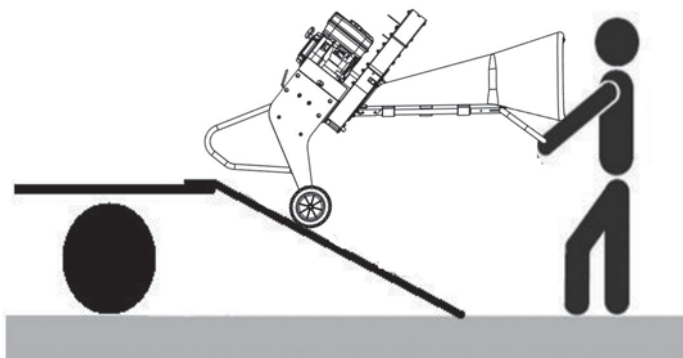
- Отсоединить провод свечи.
- Перекрыть подвод топлива.
- Ослабить 4 гайки М 8, фиксирующие желоб, чтобы они находились на шейках невыпадающих винтов.
- Приподнять желоб, чтобы пропустить гайки в хомут желоба, затем снять желоб.
- Снова установить защитную крышку и затянуть 2 гайки.
- Поместить желоб в его подставку, держа его за рукоятку.



VIII / ТРАНСПОРТ



1 Двигатель остановлен, свеча отсоединена, подвод топлива перекрыт.



Не поднимать машину

2

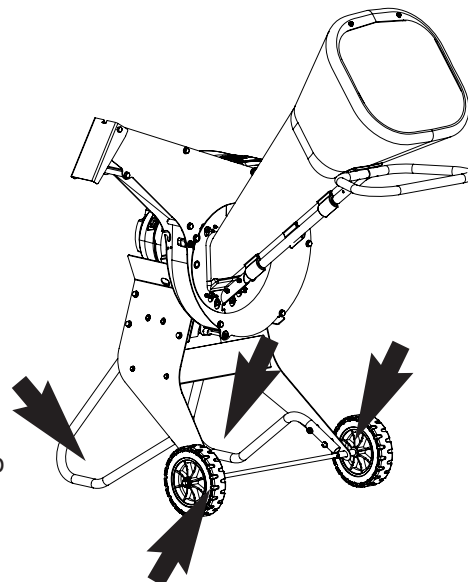
Транспортировка должна осуществляться исключительно в прицепе.

Использовать соответствующие загрузочные площадки.

Правильно закреплять вашу машину с помощью ремней.

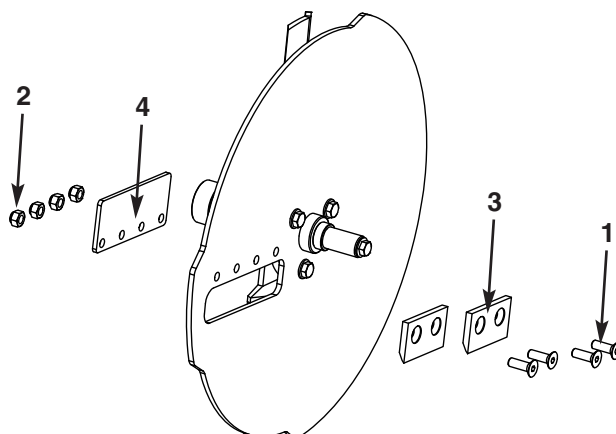
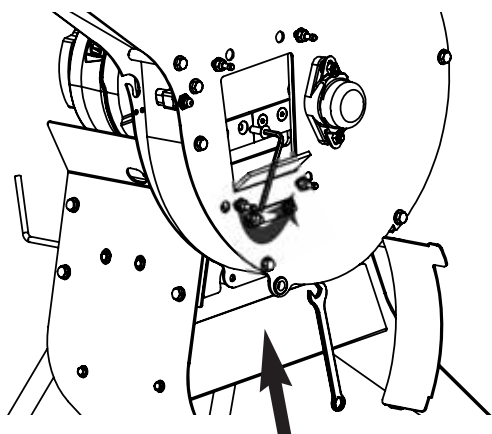
При выгрузке производить обратный ход операций.

Точки крепления
Фиксация в прицепе



IX / ЗАМЕНА НОЖЕЙ (носить перчатки) (должна осуществляться аккредитованным мастером по ремонту) (Носить перчатки)

- Отсоединить свечу.
- Открыть крышку люка очистки (см. VI –е).
- Вынуть желоб (см. VII).
- С помощью шестигранного гаечного ключа 5 и плоского гаечного ключа 13 отвинтить 4 болта (1) и гайку (2), поддерживающие 2 ножа (3).
- Всегда заменять 2 ножа одновременно. **Всегда заменять болты и гайки при смене ножей. (Внимание, должны использоваться только ножи и крепежные болты, специально созданные для вашей дробилки).**
- Установить новые ножи, не забыв при этом установить заново противовес.
(Момент затяжки 24 Н.м). Хорошо выровнять и прижать 2 ножа один к другому.





а) Машина не заводится (пользователь)

- Проверить уровень бензина.
- Проверить, хорошо ли присоединен провод свечи.
- Проверить правильность блокировки крышки люка очистки (замыкающий рычаг должен быть полностью завинчен для нажимания на контактор).
- Проверить правильность фиксации желоба (хомут должен нажимать на контактор).

б) Ножи больше не режут (пользователь)

- Наточить ножи с помощью точильного бруска, не нарушая углы резания. (Для лучшего результата мы вам советуем обратиться для заточки к профессионалу).
- Заменить ножи, если они слишком изношенные.

XI / ОБСЛУЖИВАНИЕ

Двигатель остановлен, свеча отсоединена.
Подождать, когда двигатель остынет, чтобы избежать любого риска ожогов.
Носить защитные перчатки.



а) Проверки перед каждым использованием (Пользователь)

- Проверить состояние ножей (ножи не должны иметь трещины) и их фиксацию на диске (наличие крепежных болтов).
- Проверить состояние дефлектора и его фиксацию.
- Проверить состояние и фиксацию фартука.
- **Проверить состояние электрической системы.** Внимание, если электрическая система была прервана, не произойдет автоматическая остановка двигателя при открытии люка или неправильном положении желоба, это крайне опасно.
- Проверить уровень масла двигателя и производить замену масла приблизительно каждые 50 часов использования (консультировать инструкцию двигателя).
- Проверить уровень бензина.

б) Периодические проверки каждые 20 часов использования (Пользователь)

- Проверить заточку ножей (ножи не должны быть затупленными).
- Проверить их фиксацию на диске ротора (присутствие крепежных болтов) (24 Н.м.).
- Проверить, хорошо ли затянуты гайки, болты и винты.
- Смазать оси колес.

с) Годовая проверка или каждые 50 часов, для ее осуществления обращаться к аккредитованному мастеру по ремонту

- Смазать подшипник.
- Проверить исправность электрической системы автоматического выключения.
- Проверка состояния контрножей (зазор между ножами и контрножами 3мм)
- Заменить ножи и крепежные болты полным комплектом, чтобы сохранить баланс. Момент затяжки 24 Н.м.

(Внимание, должны использоваться только ножи и крепежные болты, специально созданные для вашей дробилки.)

XII / ЧИСТКА (Пользователь)



- Двигатель остановлен, свеча отсоединена.
 - Подождать, когда двигатель остынет, чтобы избежать любого риска ожогов.
 - Носить защитные перчатки.
 - Желательно использовать щетку и скребок для чистки дробилки.
- Не использовать очиститель высокого давления** для мытья вашей машины (окисление, повреждение двигателя и т.д.). Обычная струя воды низкого давления на картер допускается.

Déclaration CE de conformité

Je, soussigné (11) (2) déclare par la présente que la machine décrite ci-dessous est conforme aux dispositions des Directives Machine (7).

Description : Broyeur; fabricant (1); modèle (4); Type (5); Nom commercial (6); Numéro de série (13).

Représentant autorisé à valider la documentation technique (3). Référence aux normes harmonisées (8).

Fait à : (9) date : (10), signataire : (11) signature : (12).

Voir n° de série (13) en dernière page

EC Declaration of conformity

I, the undersigned (11) (2) declare by the present document that the machine described below complies with the provisions of the Machine Directives (7).

Description: Shredder; manufacturer (1); model (4); Type (5); Commercial Name (6); Serial Number (13).

Authorised representative to validate the technical documentation (3). Reference to harmonised standards (8).

Drawn up at: (9) date: (10), signatory: (11) signature: (12).

See Serial No. (13) on last page

Декларация соответствия нормативам ЕС

Я, ниже подписавшийся (11) (2), декларирую настоящим, что нижеописанная машина соответствует нормам Директивы Машин (7).

Описание: Дробилка; Производитель (1); Модель (4); Тип (5); Торговое название (6); Номер серии (13).

Представитель, уполномоченный утверждать техническую документацию (3). Ссылка на гармонизированные нормы (8).

Совершено в: (9) дата: (10), подпись: (11) подпись: (12).

См. № серии (13) на последней странице

- 1 - PUBERT SAS
- 2 - PUBERT SAS
Z.I. de Pierre-Brune
CHANTONNAY
FRANCE
- 3 - Didier Grare
Z.I. de Pierre-Brune
CHANTONNAY
FRANCE
- 4 - KL00**01**
- 5 - SUBARU EP17
- 6 - DEVOR - X60S
- 7 - 2006/42/EC, 2004/108/EC
& 2000/14/EC
- 8 - NF EN 13683
- 9 - CHANTONNAY
- 10 - 01/09/2010
- 11 - Jean-Pierre PUBERT
- 12 -

13 -