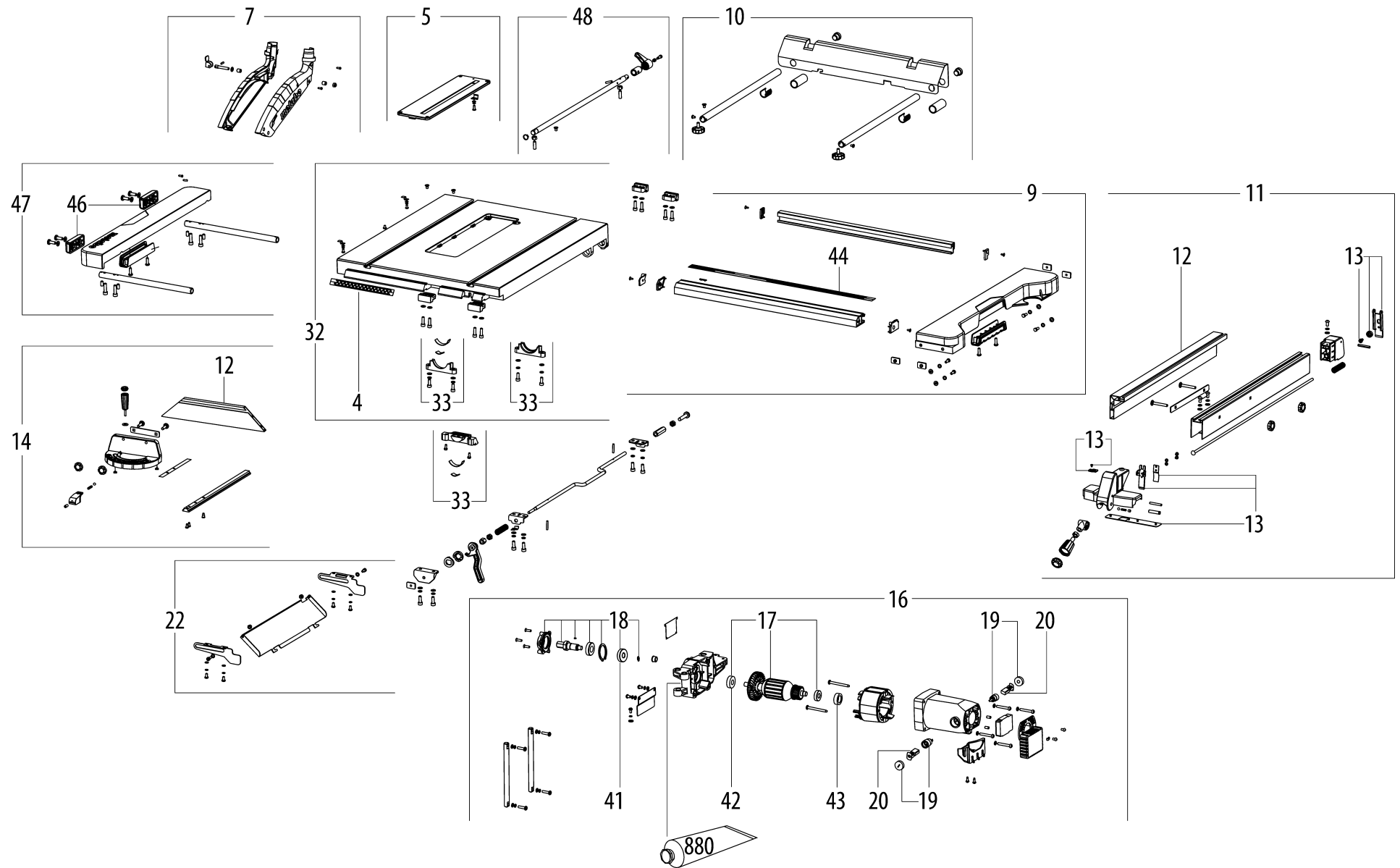
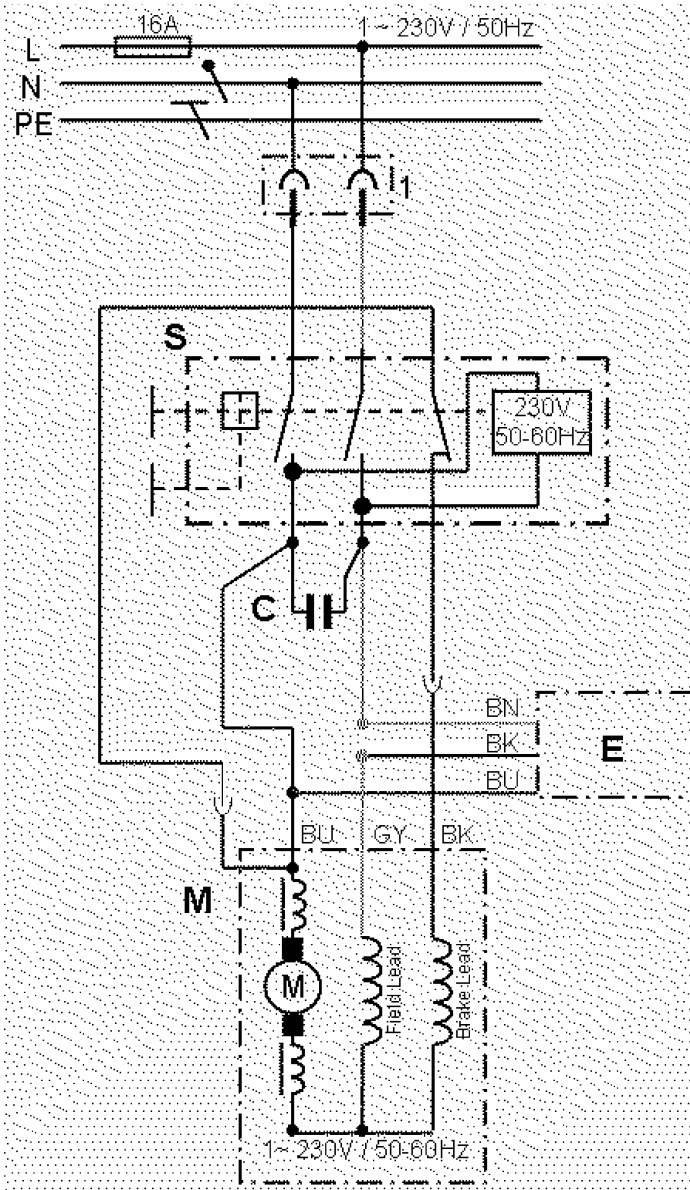


	Bedeutung der Kurzzeichen	Meaning of the symbols
C	Kondensator	capacitor
E	Elektronik-Baustein	Electronic unit
M	Motor	Motor
S	Schalter	Switch
BK	Schwarz	Black
BN	Braun	Brown
BU	Blau	Blue
GY	Grau	Grey



Позиция	Количество	Номер для заказа	Описание	PG
1	1	338061940	Rating plate	11
2	1	338123720	Hinweisschild Funktionserklaerung Lock	11
4	1	338125170	Scale	11
5	1	316057510	Table insert assembly compl.	24
6	1	316057520	Saw blade flange compl.	19
7	1	316057530	Wheel guard cpl.	25
8	1	343409960	Switch	26
9	1	316057540	Table side extension compl.,right	41
10	1	316057550	TABLE REAR EXTENSION compl.	33
11	1	316057560	Parallel guide compl.	37
12	1	316057570	Stop compl.	30
13	1	316057580	Parallel guide compl.	18
14	1	316057590	Angular guide compl.	31
15	1	316057600	Riv.knife holder cpl.	27
16	1	316057610	Motor compl.	58
17	1	316057620	Armature compl.	41
18	1	316057630	Gear-box compl.	29
19	1	343001260	Brush holder	17
20	1	343001270	Brush	17
21	1	316057640	HEIGHT-ADJUSTMENT compl.	24
22	1	316057650	Saw blade guard compl. (below)	26
23	1	316057720	Spindle stop compl.	17
24	1	316057660	Handwheel compl.	23
25	1	316057670	Foot compl.,right	18
26	1	316057680	Foot compl.,left	18
27	1	316052530	JOINT ARM left, cpl.	35
28	1	316052540	JOINT ARM right, cpl.	36
29	1	344099460	leg adjustable	27
30	1	316052570	Leg cpl.	29
31	1	316052580	Wheel compl.	26
32	1	316057690	Table compl.	51
33	1	316057700	Guide Swivelling frame compl.	20
34	1	339136290	Riving knife	24
35	1	344499860	Cable with plug	28
36	1	316057710	Exhaust nozzle compl.	18
37	1	316057730	Housing compl. (front+back)	34
38	1	316057740	Housing compl. (side parts)	29
39	1	343433180	Push stick	15
40	1	341210480	Key	13
41	1	341161760	Gear-box	25
42	1	320050880	Ball bearing	17

Позиция	Количество	Номер для заказа	Описание	PG
43	1	320050890	Ball bearing	19
44	1	338125180	Scale	15
45	1	340033720	Bevel gear set	18
46	1	343431310	Base	14
47	1	316057750	Table side extension compl.,left	33
48	1	316057760	LOCKING compl.	21
49	1	343437120	Suction hose	28
50	1	344112650	CHIP GUIDE	13
880	1	136012860	Gear grease	17
1001	1	338505650	Wiring Diagram	



	Bedeutung der Kurzzeichen	Meaning of the symbols
C	Kondensator	capacitor
E	Elektronik-Baustein	Electronic unit
M	Motor	Motor
S	Schalter	Switch
BK	Schwarz	Black
BN	Braun	Brown
BU	Blau	Blue
GY	Grau	Grey