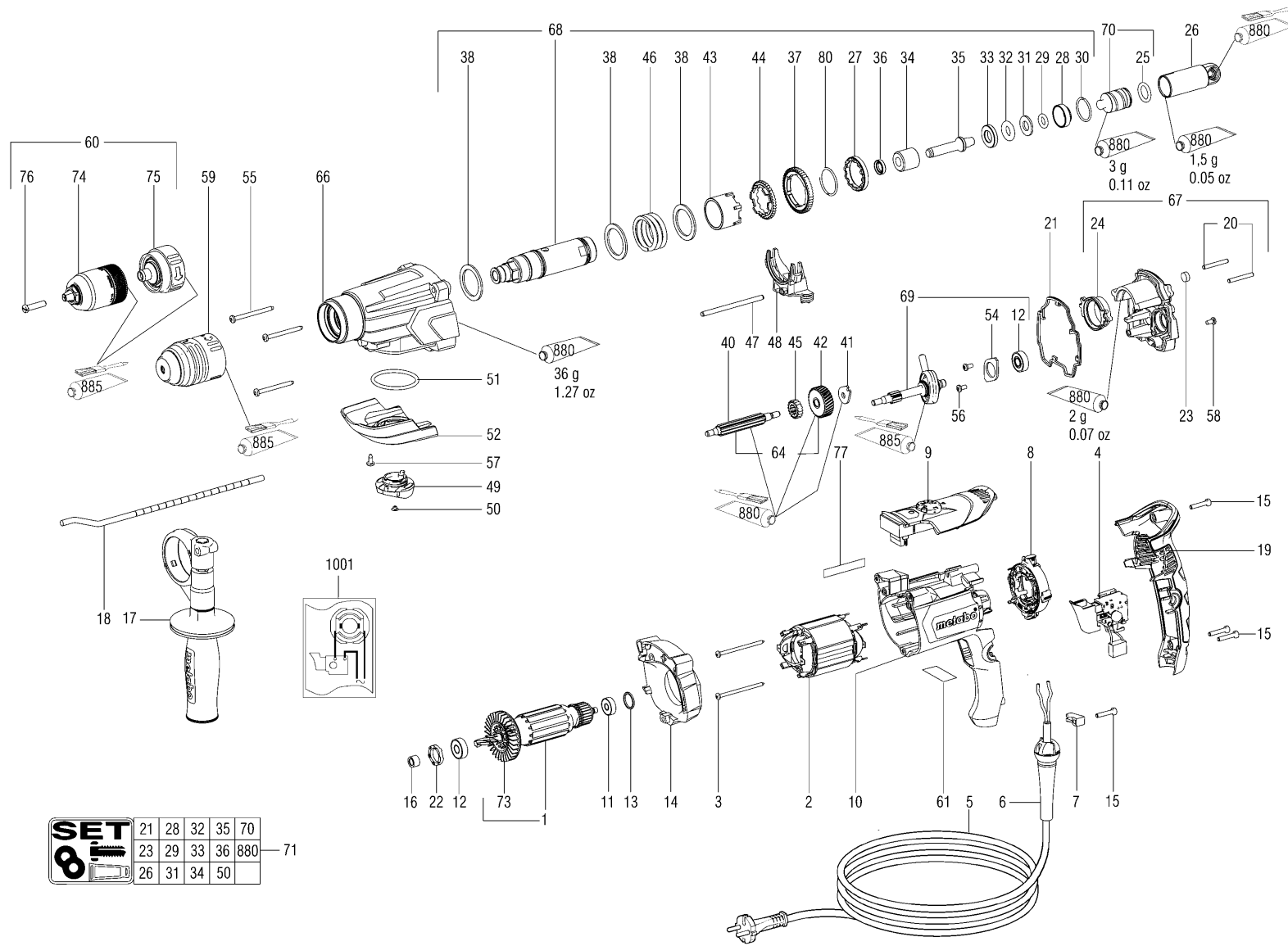


SET	21	28	32	35	70
	23	29	33	36	880
	26	31	34	50	

71



SET	21	28	32	35	70
	23	29	33	36	880
	26	31	34	50	

71

Позиция	Количество	Номер для заказа	Описание	PG
1	1	310011650	Armature compl.,230 V (w. tacho gen.)	36
2	1	311011630	Field coil w.field coil,230 V	28
3	2	141118260	Self-tap. fill. h. screw	11
4	1	343410950	Poti switch	23
5	1	344486730	Cable with plug	26
6	1	343394300	Cable sleeve	12
7	1	343362490	Cable clip	12
8	1	316051960	Brush holder module,230V	23
9	1	343085150	Electronic unit,230V 50/60Hz	30
10	1	315013700	Motor housing	24
11	1	143115170	Ball bearing,6x19x6	16
12	1	143114880	Ball bearing, 8x22x7	19
13	1	143192430	O-ring	12
14	1	343438040	Intermediate flange	15
15	4	141117060	Self-tap. fill. h. screw	12
16	1	343376040	Sealing ring	12
17	1	314001460	Support handle compl.	23
18	1	341511630	Depth stop	16
19	1	343438030	Handle cover	19
20	2	341520230	Cylindrical pin	11
21	1	344101780	Seal	12
22	1	344095920	Rubber buffer	11
23	1	344070670	Felt seal	11
24	1	341006300	Bearing ring	15
25	1	143195350	O-ring	11
26	1	341211330	exciter sleeve compl.	26
27	1	341071750	Ratched wheel	12
28	1	341059760	Catching sleeve	15
29	1	143195210	O-ring	11
30	1	141156560	Circlip	11
31	1	339007190	Washer	11
32	1	143195150	O-ring	12
33	1	341013470	Support ring	15
34	1	341005950	Bushing	17
35	1	341212200	piston	21
36	1	143195380	Shaft sealing ring	11
37	1	340004450	Intermediate gear	14
38	3	339007150	Washer	12
40	1	340004490	Pinion shaft	24
41	1	339134350	guide sheet	11
42	1	340013090	Spur gear	16

Позиция	Количество	Номер для заказа	Описание	PG
43	1	341071830	clutch hub	15
44	1	340004530	Claw wheel	13
45	1	340004460	coupling sleeve	11
46	1	342004060	Pressure spring	12
47	1	341540220	Switch rod	11
48	1	316062550	Shift element compl.	14
49	1	316062450	Control knob compl.	14
50	1	343376750	Seal	12
51	1	143195870	O-ring	11
52	1	343438240	Housing cap,UHE	15
54	1	339137180	Bearing cover	11
55	3	141118840	Self-tap. fill. h. screw	11
56	2	141119570	Fill. head screw(DIN 7985)	11
57	1	141116130	Self-tap. fill. h. screw	11
58	1	141123980	Fillister head screw	11
59	1	316047350	Adaptor SDS -PLUS	35
60	1	316047500	Keyless chuck w.adapt.	39
61	1	338066900	Rating plate	11
64	1	316065240	Intermediate shaft compl.	30
65	1	316063970	Gear-box compl.	52
66	1	316063980	Gear housing compl.	32
67	1	316063990	Gear flange cpl.	29
68	1	316064000	Drill driving sleeve compl.	45
69	1	316064010	Wobbler drive compl.	34
70	1	316065360	Striker compl.	24
71	1	316064020	Maintenance kit SDS	46
73	1	330001830	Fan	21
74	1	301003140	Keyless chuck, 1,5-13	32
75	1	316050630	Quick-change adaptor	32
76	1	341703360	Cap screw	17
77	1	399999990	Part not needed	
80	1	141156360	Circlip	11
880	1	344130800	Grease FG 126	26
885	1	344131210	Tube Grease,50g Klueber Microlube GL 261	28
1001	1	338506130	Wiring diagram 230V / 120V	

