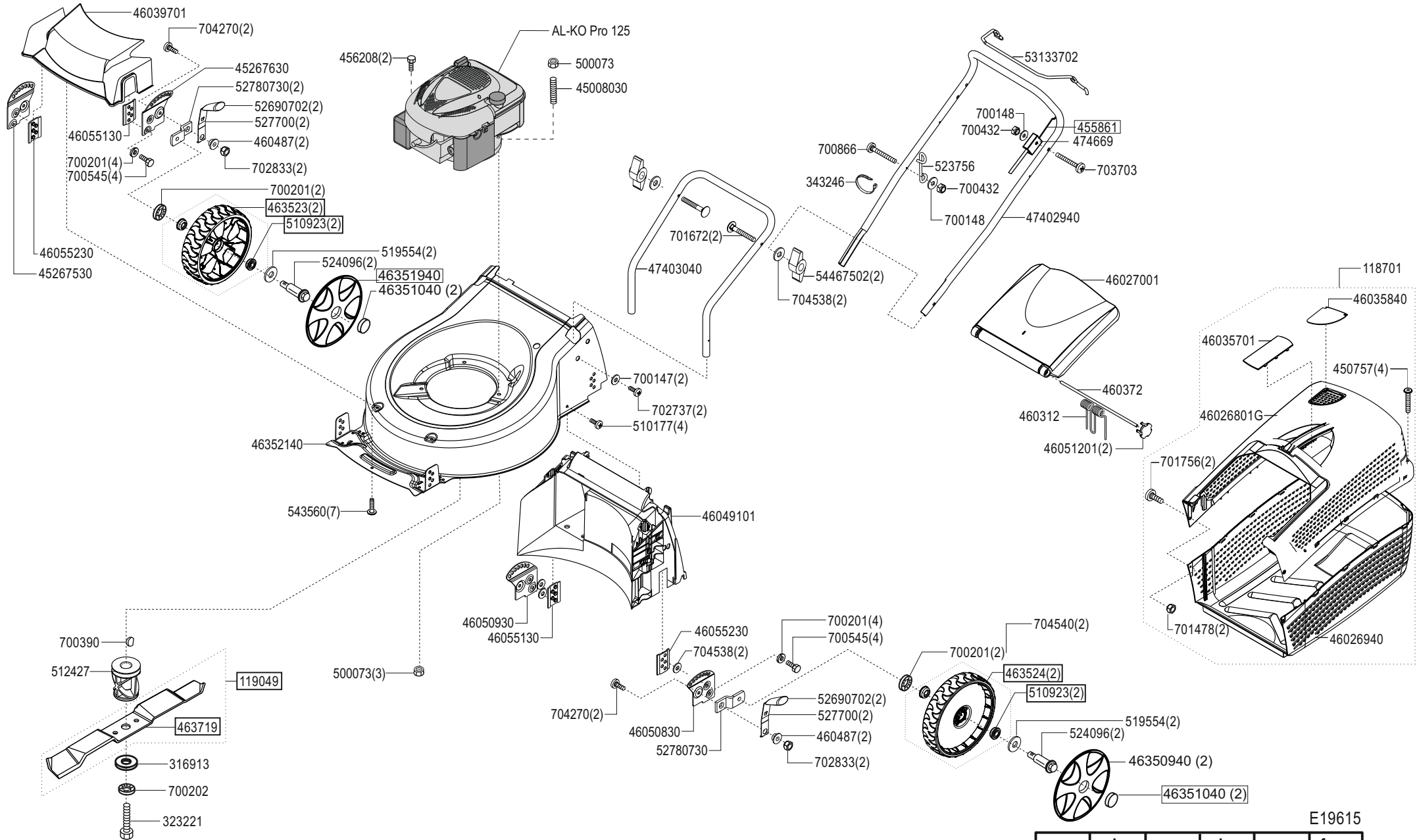


# HIGHLINE 42.5 P-A

Art. Nr. 119615

# AL-KO



E19615

a	b	c	d	e	f
---	---	---	---	---	---